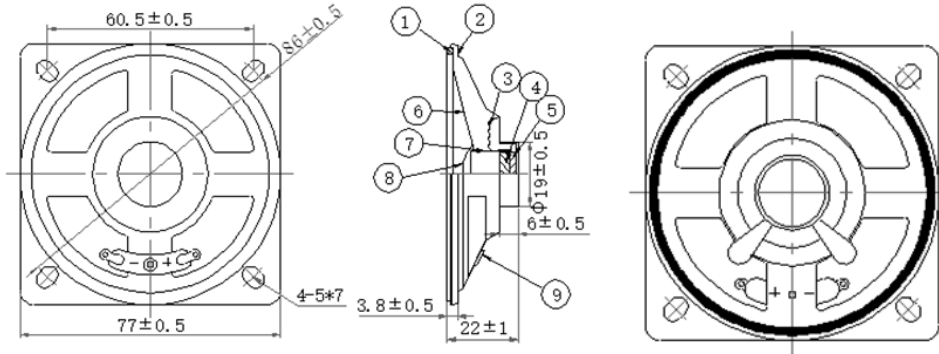


Data Sheet

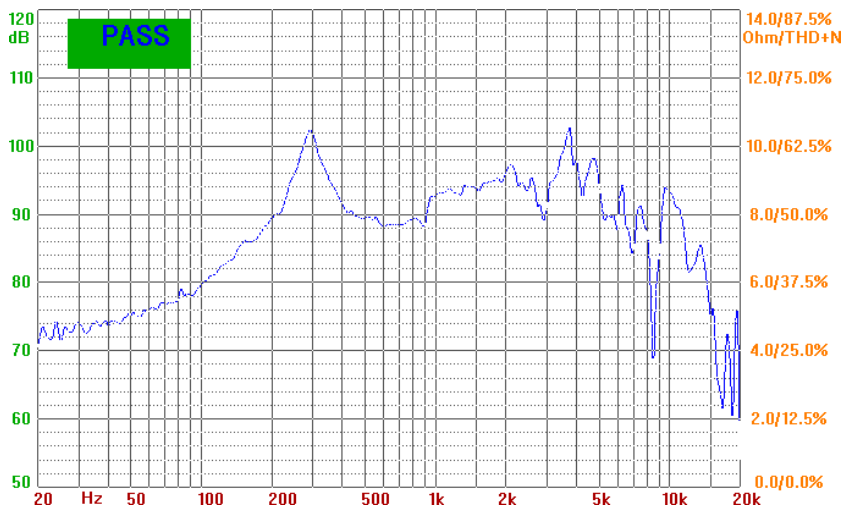
77mm Ferrite mylar speaker, 91dB, 8Ω, 1W



Dimension picture:

NO	Component	Material
1	Gasket	Paper
2	Frame	SPCC
3	Damper	Cloth
4	Plate	SPCC
5	Magnet	NdFeB
6	Cone	PET
7	Voice coil	KSV+Cu
8	Dust cap	PET
9	Terminals	Paper+Steel

SPL view:



Data Sheet

Specification:

Rate power: 1W

Max. power: 2W

Output sound pressure level (S.P.L) : 91 dB \pm 3dB (at 0.1W/ 0.1m, average of 0.6, 0.8, 1.0, 1.2 KHz)

Impedance: 8 Ω \pm 15%

Frequency range: Fo \sim 7kHz

Resonance frequency: 320Hz \pm 20%

Distortion: \leq 5%

Magnet size: \varnothing 12.5 x 2.5 mm

Rate voltage: 2.83 V

Product dimensions: 77 mm (L) x 77 mm (W) x 20 mm (H)

Net weight: 33g \pm 8%

Operating temperature: -30°C to 60°C

Storage temperature: -40°C to 65°C