

# Technaxx® \* User Manual

## 2-way 12V/24V splitter TX-163

### with 2x USB, USB-C and smart charging

The manufacturer Technaxx Deutschland GmbH & Co.KG hereby declares that this device, to which this user manual belongs, complies with the essential requirements of the standards referred to the Directive **EMC 2014/35/EU**. The Declaration of Conformity you find here: **www.technaxx.de/** (in bar at the bottom "Konformitätserklärung"). Before using the device the first time, read the user manual carefully.

Service phone No. for technical support: 01805 012643 (14 cent/minute from German fixed-line and 42 cent/minute from mobile networks).

Free Email: **support@technaxx.de**

The support hotline is available Mon-Fri from 9am to 1pm & 2pm to 5pm!

Keep this user manual for future reference or product sharing carefully.

Do the same with the original accessories for this product. In case of warranty, please contact the dealer or the store where you bought this product.

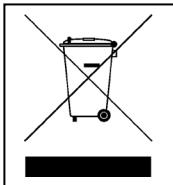
**Warranty 2 years**

***Enjoy your product. \*Share your experience and opinion on one of the well-known internet portals.***



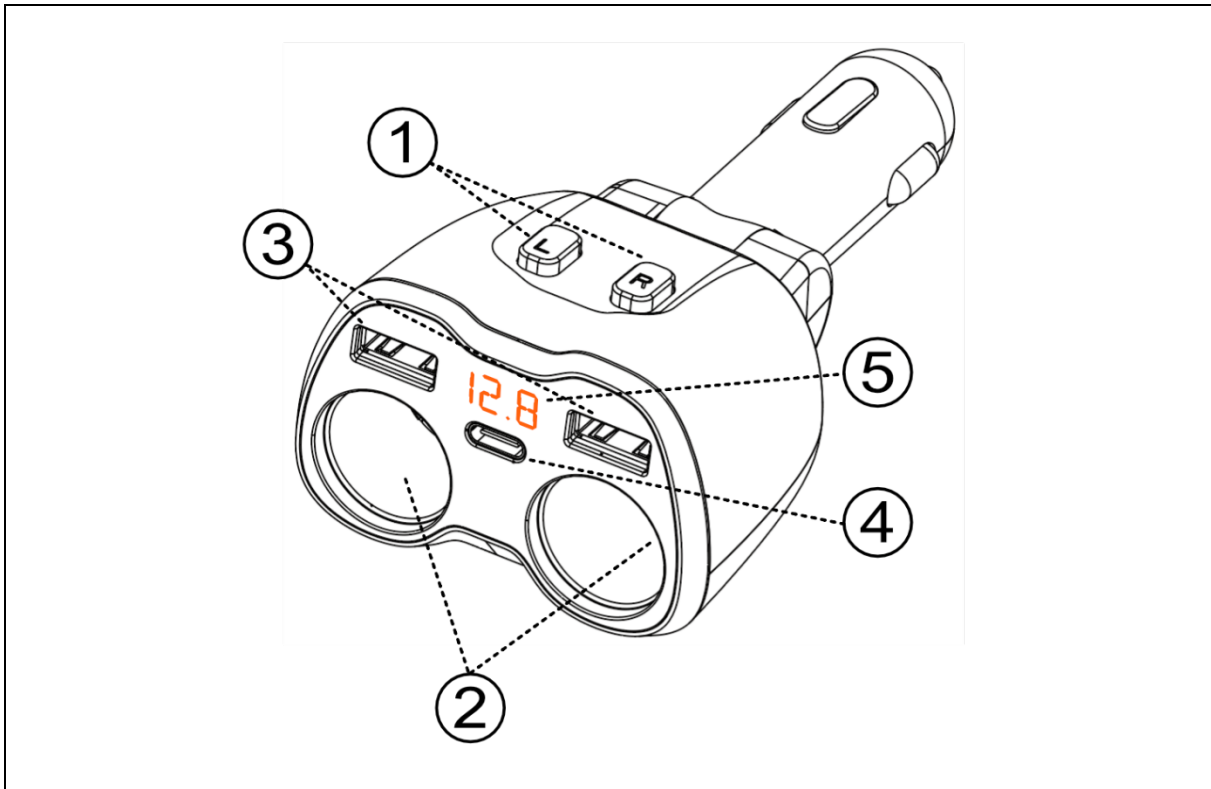
Products marked with this symbol meet all applicable community regulations of the European Economic Area.

Technaxx Deutschland GmbH & Co KG has issued a "declaration of conformity" in accordance with the applicable directives and relevant standards. has been created. This can be viewed at any time upon request.



**Hints for Environment Protection:** Packages materials are raw materials and can be recycled. Do not disposal old devices or batteries into the domestic waste. **Cleaning:** Protect the device from contamination and pollution (use a clean drapery). Avoid using rough, coarse-grained materials or solvents/aggressive cleaner. Wipe the cleaned device accurately. **Important Notice:** Should battery fluid leak from a battery, wipe the battery case with a soft cloth dry. **Distributor:** Technaxx Deutschland GmbH & Co.KG, Konrad-Zuse-Ring 16-18, 61137 Schöneck-Kilianstädten, Germany

## Product overview



1	On/Off switches left/right	2	Cigarette lighter socket
3	USB charging ports	4	USB-C charging port
5	LED voltage display		

## Features

- Use of up to 5 devices with one 12V / 24V socket
- 2 USB ports and 1 USB-C port with QC3.0
- On/Off switch for separate usage of both 12V/24V sockets
- LED screen for voltage indication
- Swivel for easy access
- Replaceable 10 Ampere safety fuse

## Technical specifications

Input power	12V/24V cigarette lighter socket
USB (3) output	DC 5V/2.4A
USB QC3.0 (3; orange) output	DC 5V / 3A DC 9V / 2A DC12V / 1.5A
USB-C (4) output	DC 5V/3.4A
Max. output power	120W
Fuse	10A automotive fuse
Material	ABS
Weight / Dimension	72.7g / (L) 122 x (W) 66 x (H) 43mm
Package content	2-way 12V/24V splitter TX-163, User manual

## Operation

This product is a 2-way splitter and charging adapter for cigarette lighter sockets and is intended for use in indoor areas only.

## Functions

### Splitter

Power/charge two devices e.g. dash cam and navigation with one cigarette socket simultaneously. Each device can be switched on/off separately using the switches (1) on top of the device.

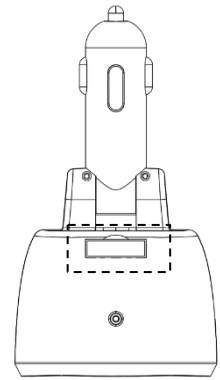
### USB ports

Orange USB port supports QC3.0. If your mobile phone supports Quick-Charge, it will be charged based on QC3.0 like DC 3.5-6.5V/3A, 6.5-9V/2A, 9-12V/1.5A. For further instructions or explanations please check the manual of your device. The other USB port is a regular charging port and supports 5V/2.4A. USB-C port supports 5V/3.4A.

## Safety

### Fuse

This device is secured by a 10A automotive fuse at the bottom against power peaks and short circuits. If the TX-163 doesn't work in regular condition, please check and change the fuse.



### Voltage display

The display indicates the current voltage of the car battery. If it drops below 12V the numbers will flash. In this case please check the battery power of your car. It may be don't support enough power anymore

## Warnings

- Never put any electric conductive into the plug of the cigarette lighter socket! Risk of electric shock occurs.
- To protect the TX-163, pull it out when starting the car.
- Improper use may result in damage to itself or attached products. Therefore, never dismantle / disassemble / remove any cover of it to avoid the risk of an electric shock, damages or short-circuit.
- Do not drop or shake it (it may break internal circuit boards or mechanics).
- Keep it in dry, ventilated environment and avoid high temperature (keep it away from direct sunlight, do not install it near any heat source)
- Avoid humidity (rain, moisture, dripping, splashing) to reduce the risk of fire or electrical shock.
- Never immerse the product in water or other fluids.
- Only use this device with voltage specified on the device.
- Never use the device if it shows visible signs of damage.
- Keep it away from children.
- Technical specifications are subject to change without notice.