

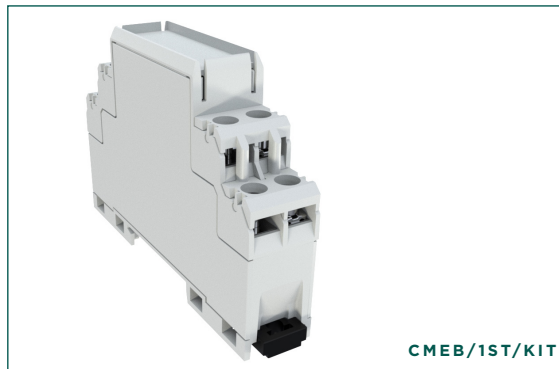


Call our sales team today on 01638 716101

CMEB Extendable DIN Rail Terminal Enclosure

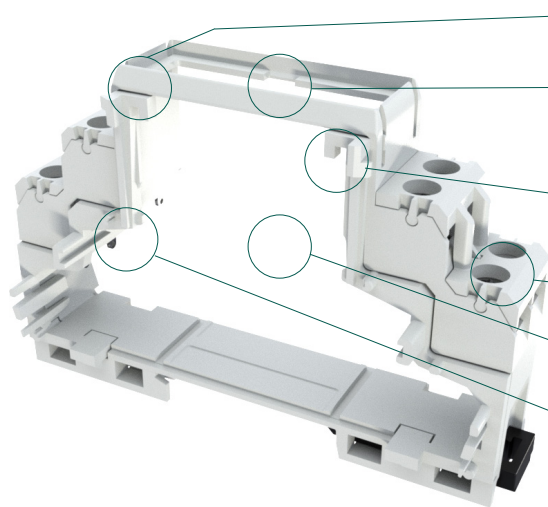
Product overview

The UK manufactured CMEB Extendable DIN Rail Terminal Enclosure, has been designed to offer easily accessible internal wiring. Unique extension pieces can be used to connect multiple bodies together, providing more poles and wiring options, whilst internal solder tags offer an effective way of connecting to PCBs or flying wires. Full size internal PCB can be supported, with horizontal or vertical PCB's in extended versions, the later separating poles either side of the DIN Rail.



CMEB/1ST/KIT

Key features



Clip together design

No screws required

Solid or open top design options

Open Top design capable of attaching a customised lid, whilst Solid top creates a pre enclosed housing.

Vertical and horizontal PCB positions

various assembly methods, e.g. separate mains/high voltage sides

M3 screw with 7mm saddle washer

complies with EN60999-1 terminal stadards

Removeable side panels

Easy access to the interal space of the enclosure

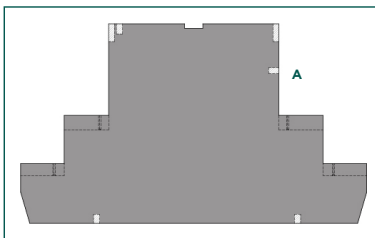
Solder tag terminals

For simple and effective termination

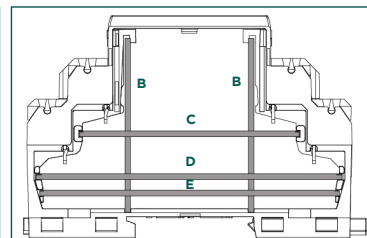
PCB positions

DIMENSIONS FOR EACH POSITION		
PCB MOUNTING POSITION		MAX PCB DIMENSIONS (LXW)
A	Planer	See technical drawing
B	Vertical	48mm x 14.7mm*
C	Horizontal	60.7mm x 16.5mm*
D	Horizontal	84.7mm x 16.5mm*
E	Horizontal	83mm x 16.5mm*

Single enclosure



Extended enclosure



PART NUMBERS (KITS)

BODY TYPE	WHITE (WH)	KIT INCLUDES
SOLID TOP	CMEB/1ST/KIT	1x Solid top body, 2x End panels, 2x Terminal screw covers, 1x black clip, 1x white clip
OPEN TOP CLEAR	CMEB/IPC/KIT	1x Open top body, 2x End panels, 2x Terminal screw covers, 1x Clear top, 1x black clip, 1x white clip
SOLID TOP EXTENSION	CMEB/1ST/E/KIT	1x Solid top body, 2x Extension arms, 2x Terminal screw covers, 1x black clip, 1x white clip
OPEN TOP CLEAR EXTENSION	CMEB/IPC/E/KIT	1x Open top body, 2x Extension arms, 2x Terminal screw covers, 1x Clear top, 1x black clip, 1x white clip

ACCESSORIES

PART NUMBER	DESCRIPTION
CMEB/BL/8	DIN Rail Terminal Enclosure Terminal Blank Set of 8

INDIVIDUAL SIZE DIMENSIONS

EXTERNAL DIMENSIONS (LXWXH)	INTERNAL DIMENSIONS (LXWXH)	WALL THICKNESS
90mm x 1786mm x 61.3mm	86mm x 15.25mm x 42.4mm	Enclosure - 1.09mm End Panels - 1.3mm

