

PROCESS INDICATOR UNITS ESM-XX00



CE EAC

- ESM-4400, ESM-7700, ESM-9900, ESM-4900
 Universal Input Smart output module system Process display units
- 4 digit process (PV) display
 - Universal process input (TC, RTD, mV --- , V --- , mA ---)
 - Dual or multi point calibration for --- voltage & --- current inputs
 - Smart output module system
 - Programmable Alarm functions
 - Process control or re-transmission with 0/4...20 mA --- Current output module
 - RS-232 (standart) or RS-485(Optional) serial communication with Modbus RTU protocol

SPECIFICATIONS**PROCESS INPUT**

Universal Input: TC, RTD, --- Voltage/Current

Thermocouple (TC): L(DIN 43710) ,J , K , R , S , T , B , E and N (IEC584.1)(ITS90) ,C (ITS90)

Thermoresistance (RTD): PT-100 (IEC751)(ITS90)

--- Input: mV, V, mA

Measurement Range : Please refer to Table-1 for selection of input type and scale

Accuracy:± 0.25% of full scale for thermocouple, thermoresistance, mV, V and mA input.

Cold Junction Compensation:Automatically ±0.1°C/1°C

Line Compensation: Maximum 10 Ohm

Sensor break protection:Upscale

Sampling Cycle:3 samples per second

Input Filter: 0.0 to 900.0 seconds

OUTPUT

Standart Relay Output: 5A@250V~ (on resistive load)

Output Modules: User can insert 2 output module to the device.

-Relay Output Module

-SSR Output Module (Max. 26mA , Max. 22V ---)

-Digital (Transistor) Output Module (Max.40 mA @18V ---)

-0/4...20 mA --- Current Output Module

POWER SUPPLY

Power Supply Voltage :

100-240V ~ 50/60 Hz (-%15;+%10) -6VA

24V ~ 50/60 Hz (-%15 ; +%10) -6VA

24V --- (-%15 ; +%10) -6W

(It must be determined in order.)

DISPLAY

Process Display :

ESM-4400 : 10.1 mm Red 4 digit LED Display

ESM-4900 : 20.3 mm Red 4 digit LED Display

ESM-7700 : 13.2 mm Red 4 digit LED Display

ESM-9900 : 19 mm Red 4 digit LED Display

LED Göstergeler : °C /°F / V, OP1/2/3 (Output Status) LED.

ENVIRONMENTAL RATINGS and PHYSICAL SPECIFICATIONS**Operating Temperature** : 0...50°C**Humidity** : 0-90%RH (non condensing)**Protection Class** : IP65 at front, IP20 at rear**Mounting** : Type-1 Enclosure Mounting**Installation** : Fixed installation Category II**Over Voltage Category** : II**Pollution Degree** : II, office or workplace, none conductive pollution**Weight:**

ESM-4400: 210 gr.

ESM-4900: 260 gr.

ESM-7700: 270 gr.

ESM-9900: 360 gr.

Dimensions / Panel Cut-Out:

ESM-4400 : (48 x 48mm, Depth:116 mm) / (46 x 46mm)

ESM-4900 : (96 x 48mm, Depth:86.5 mm) / (92 x 46mm)

ESM-7700 : (72 x 72mm, Depth:87.5 mm) / (69 x 69mm)

ESM-9900 : (96 x 96mm, Depth:87.5 mm) / (92 x 92mm)

Minimum Distance Between Panel Cut-Out Centers:

ESM-4400 : X=65mm, Y=65mm

ESM-4900 : X=129mm, Y=65mm

ESM-7700 : X=97mm, Y=97mm

ESM-9900 : X=129mm, Y=129mm



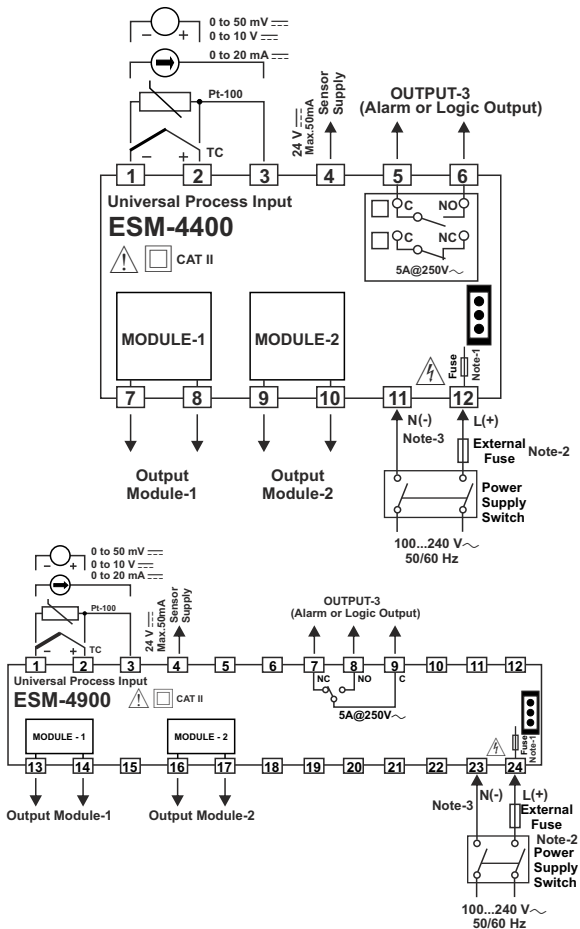
This symbol is used for safety warnings. User must pay attention to these warnings.

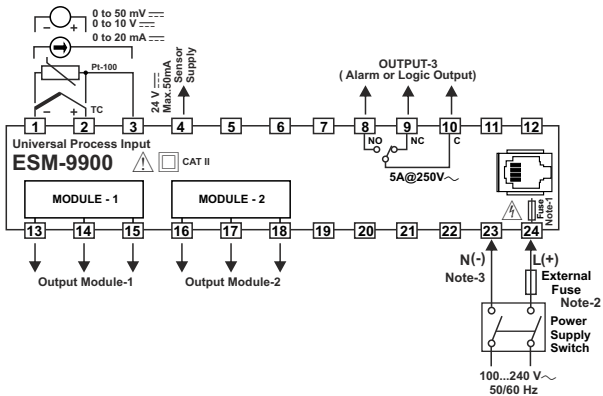
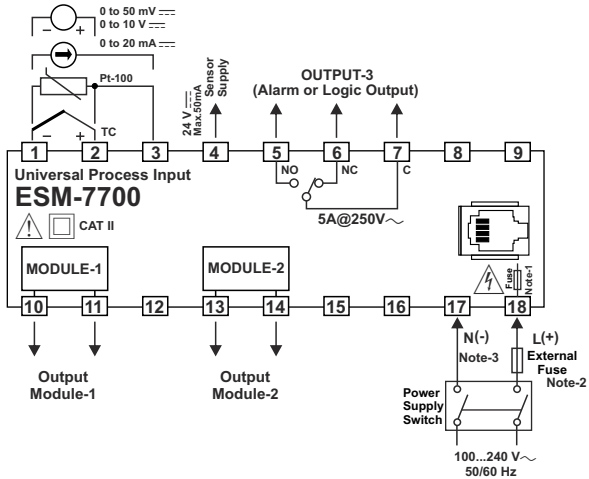


This symbol is used to determine the dangerous situations as a result of an electric shock. User must pay attention to these warnings definitely.



This symbol is used to determine the important notes about functions and usage of the device





Note-1 : There is an internal fusible flameproof resistor.

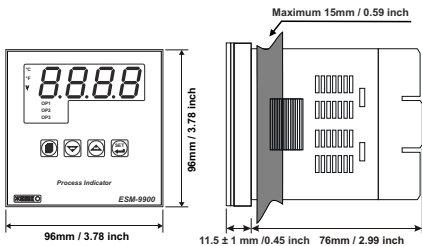
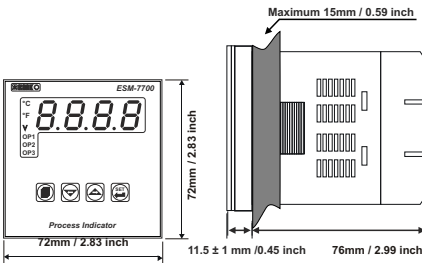
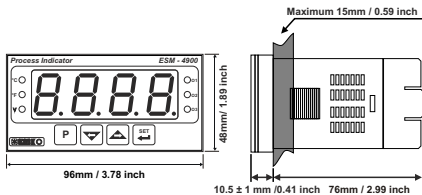
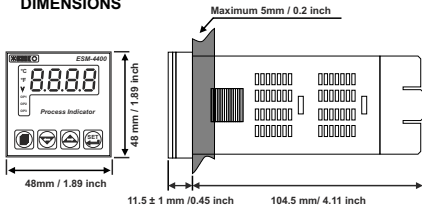
Note-2 : External fuse is recommended.

1A \sim T for power supply 100...240 V \sim or 24V \sim

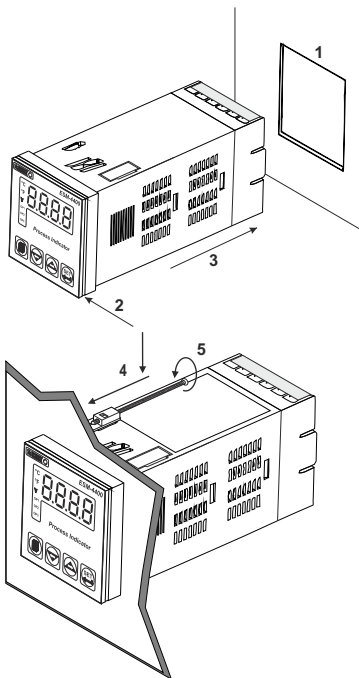
1A \equiv T for power supply 24V \equiv

Note-3 : "L" is (+), "N" is (-) for 24V \equiv supply voltage

DIMENSIONS



PANEL MOUNTING

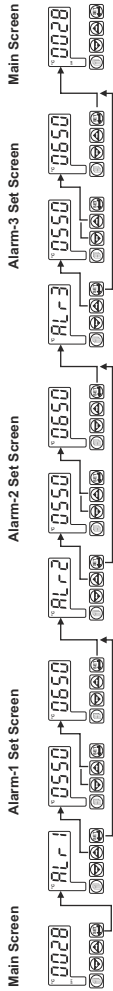


1-Before mounting the device in your panel, make sure that the cut-out is of the right size.
2-Check front panel gasket position.
3-Insert the device through the cut-out. If the mounting clamps are on the unit, put out them before inserting the unit to the panel.

4-Insert the unit in the panel cut-out from the front side.

5- Insert the mounting clamps to the holes that located top and bottom sides of device and screw up the fixing screws until the unit completely immobile within the panel

Access and change Set values




Press SET Button
 Press Increment button to enter Alarm-1 Set value.

Press Increment button to enter Alarm-2 set value.

Press increment or decrement button to change the Alarm-2 Set Value.

Press Increment button to enter Alarm-3 set value.

Press increment or decrement button to change the Alarm-3 Set Value.

Note: User can exit from Set Value section without saving the values by pressing  button. If no operation for 120 seconds, device automatically exits from Set Value section .

Process Input Type

- 0000 TC input type selection
- 0001 RTD input type selection
- 0002 ---Voltage / Current input type selection.

TC Input Selection

This parameter is active if TC input type is selected.

- 0000 L (-100°C;850°C) or (-148°F;1562°F)
- 0001 L (-100.0°C;850.0°C) or (-148.0°F;999.9°F)
- 0002 J (-200°C;900°C) or (-328°F;1652°F)
- 0003 J (-199.9°C;900.0°C) or (-199.9°F;999.9°F)
- 0004 K (-200°C;1300°C) or (-328°F;2372°F)
- 0005 K (-199.9°C;999.9°C) or (-199.9°F;999.9°F)
- 0006 R (0°C;1700°C) or (32°F;3092°F)
- 0007 R (0.0°C;999.9°C) or (32.0°F;999.9°F)
- 0008 S (0°C;1700°C) or (32°F;3092°F)
- 0009 S (0.0°C;999.9°C) or (32.0°F;999.9°F)
- 0010 T (-200°C;400°C) or (-328°F;752°F)
- 0011 T (-199.9°C;400.0°C) or (-199.9°F;752.0°F)
- 0012 B (44°C;1800°C) or (111°F;3272°F)
- 0013 B (44.0°C;999.9°C) or (111.0°F ; 999.9°F)
- 0014 E (-150°C;700°C) or (-238°F;1292°F)
- 0015 E (-150.0°C;700.0°C) or (-199.9°F;999.9°F)
- 0016 N (-200°C;1300°C) or (-328°F;2372°F)
- 0017 N (-199.9°C;999.9°C) or (-199.9°F;999.9°F)
- 0018 C (0°C;2300°C) or (32°F;3261°F)
- 0019 C (0.0°C;999.9°C) or (32.0°F;999.9°F)

RTD Input Selection

This parameter is active if RTD input is selected.

- 0000 PT-100 (-200°C ; 650°C) or (-328°F ; 1202°F)
- 0001 PT-100 (-199.9°C ; 650.0°C) or (-199.9°F ; 999.9°F)

---voltage / Current Input Selection

This parameter is active if ---Voltage / Current is selected.

- 0000 0...50mV --- (-1999 ; 9999)
- 0001 0...5V --- (-1999 ; 9999)
- 0002 0...10V --- (-1999 ; 9999)
- 0003 0...20mA --- (-1999 ; 9999)
- 0004 4...20mA --- (-1999 ; 9999)

dPnt **Display Point Position**

This parameter is active if ---Voltage/Current input is selected.

- 0000** No point
- 0001** Between first and second digits "0.0"
- 0002** Between second and third digits "0.00"
- 0003** Between third and fourth digits "0.000"

uCAL **Display Value Adjustment Type**

This parameter is active if ---Voltage/Current input is selected.

- 0000** Fixed dual point display adjustment. Display adjustment low point value is fixed to -1999, display adjustment high point value is fixed to 9999.
- 0001** User can do dual point display adjustment with tPoL and tPoH.
- 0002** User can do defined 16 display adjustment points.

tPoL **Low Point Display adjustment (-1999, 9999)Unit**

This parameter is active if ---Voltage/Current input is selected.

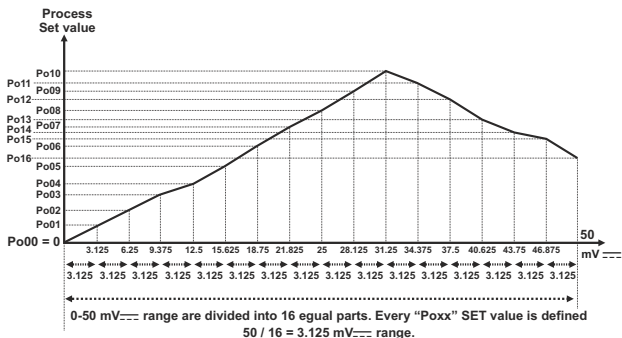
tPoH **High Point Display adjustment (-1999, 9999)Unit**

This parameter is active if ---Voltage/Current input is selected.

Po00
:
Po16 **Display adjustment points (-1999, 9999)Unit**

This parameter is active if ---Voltage/Current input is selected. In multi point display adjustment operation, defined scale is divided into 16 adjustment points.

For example : **uASL** is **0000** (0-50 mV---).



CoEF**Coefficient value (1.000, 9.999)**

Process value is multiplied with this value.

This parameter is active if **---**Voltage/Current input is selected. **Unit****Unit selection** **°C**

Unit is °C

 °F

Unit is °F

 VUnit is Voltage. This selection is active if **---**Voltage/Current input is selected **-**No unit. This selection is active if **---**Voltage / current input is selected **LoL****Operating Scale Minimum Value (Scale Low Point, Scale High Point)Unit**

Used for Proportional band calculation and display blink.

 uPL**Operating Scale Maximum Value (Scale Low Point, Scale High Point)Unit**

Used for Proportional band calculation and display blink.

 PuOf**Display offset for process value (Scale -10%, Scale +10%)Unit**

This parameter value is added to the process value.

 tFLt**Filter Time (0.0, 900.0)Second**

Defines filter time for display value.

 CJnC**Cold Junction Compensation**

This parameter is active if process input is selected TC input.

 YES

Cold junction compensation is active.

 no

Cold junction compensation is not active.

Scale: The difference, between high point and low point of the process input type. Example: If tCSL = 2 (low point is -200, high point is 900), then scale is 1100. If input type is Voltage/Current, then the scale is difference between tPoH and tPoL parameters.



If there is EMO-X00 (Relay Output) , EMO-X10 (SSR driver) and EMO-X20 (Digital Output) module in MODULE-1 socket, then the following parameters is active.

LOU MODULE-1 output module Logic output function

0000 Alarm output

0001 Sensor break alarm output

0002 Output is active when the process value is out of the band which is defined with minimum value of operating scale **LOL** and maximum value of operating scale **UPL**

AL1 Alarm-1 Type

MODULE-1 alarm type. This parameter is active, if the Logic-1 output function is Alarm output.

0000 Process high alarm

0001 Process low alarm

ALH Alarm-1 hysteresis value (0% of scale, 50% of scale)Unit

This parameter is active, if the Logic-1 output function is Alarm output.

ROn Alarm-1 On delay time (0, 9999)Second

This parameter is active, if the Logic-1 output function is Alarm output.

ROF Alarm-1 Off Delay Time (0, 9998)Second

When the value is greater than 9998, **LECH** is seen on the screen. It means alarm latching output is selected. This parameter is active if logic-1 output function of Alarm-1 Output is alarm output.

out1 ConF: MODULE-1 parameters

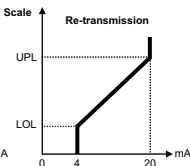
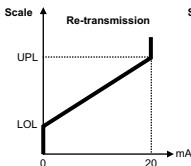


If there is EMO-X30 (0/4...20 mA == Current output) module in MODULE-1 socket, then the following parameter is active.

OR1 MODULE-1 analogue output module configuration

0000 0...20mA== output

0001 4...20mA== output



out2 ConF: MODULE-2 parameters

i If there is EMO-X00 (Relay Output) , EMO-X10 (SSR driver) and EMO-X20 (Digital Output) module in MODULE-2 socket, then the following parameters is active.

LOUC MODULE-2 output module Logic output function

0000 Alarm output

0001 Sensor break alarm output

0002 Output is active when the process value is out of the band which is defined with minimum value of operating scale

LOL and maximum value of operating scale **UPL**

ALTE Alarm-2 Type

MODULE-2 alarm type. This parameter is active, if the Logic-2 output function is Alarm output.

0000 Process high alarm

0001 Process low alarm

ALH2 Alarm-2 hysteresis value (0% of scale, 50% of scale)Unit

This parameter is active, if the Logic-2 output function is Alarm output.

RON2 Alarm-2 On delay time (0, 9999)Second

This parameter is active, if the Logic-2 output function is Alarm output.

ROF2 Alarm-2 Off Delay Time (0, 9998)Second

When the value is greater than 9998, **LECH** is seen on the screen. It means alarm latching output is selected. This parameter is active if logic-2 output function of Alarm-2 Output is alarm output.

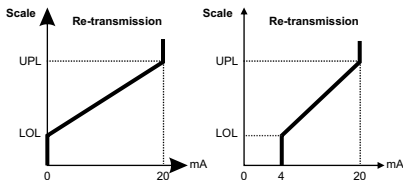
out2 ConF: MODULE-2 parameters

i If there is EMO-X30 (0/4...20 mA --- Current output) module in MODULE-2 socket, then the following parameter is active.

oA22 MODULE-2 analogue output module configuration

0000 0...20mA--- output

0001 4...20mA--- output



LOU3 Output-3 Logic output function

0000 Alarm output

0001 Sensor break alarm output

0002 Output is active when the process value is out of the band which is defined with minimum value of operating scale **LOL** and maximum value of operating scale **UPL****ALT3** Alarm-3 Type

0000 Process high alarm

0001 Process low alarm

ALH3 Alarm-3 hysteresis value (0% of scale, 50% of scale)Unit

This parameter is active, if the Logic-3 output function is Alarm output.

RON3 Alarm-3 On delay time (0, 9999)Second

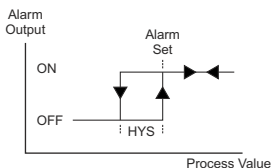
This parameter is active, if the Logic-3 output function is Alarm output.

ROF3 Alarm-3 Off Delay Time (0, 9998)Second

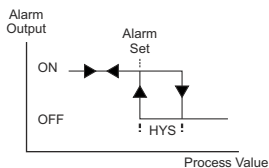
When the value is greater than 9998, **LECH** is seen on the screen. It means alarm latching output is selected. This parameter is active if logic-3 output function of Alarm-3 Output is alarm output.

Alarm Types

Process High Alarm

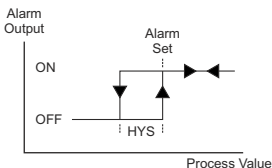


Process Low Alarm

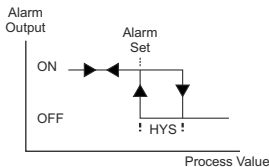


Alarm Types

Process High Alarm



Process Low Alarm



Gen ConF: General Parameters

SU-L Alarm Set value Low limit (**LoL**, **SU-u**)Unit

SU-u Alarm Set value High limit (**SU-L**, **uPL**)Unit

Com ConF: Serial Communication Configuration Parameters

SAdr Communication Accessing Address (1,247)

Communication accessing address of device.
Communication accessing address can be adjusted from 1 to 247.

bAud Communication Baud Rate

0000 1200 Baud Rate.

0001 2400 Baud Rate .

0002 4800 Baud Rate

0003 9600 Baud Rate

0004 19200 Baud Rate

Prty Parity Selection for Communication

0000 No parity.

0001 Odd parity.

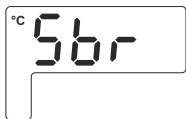
0002 Even parity.

StPb Stop Bit Selection for Communication

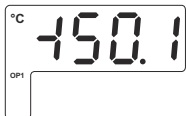
0000 1 stop bit

0001 2 stop bit

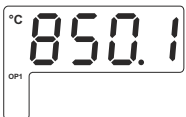
ESM-XX00 Process Control Unit Error Messages



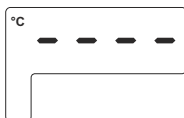
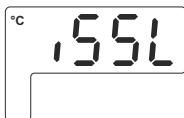
1 - Sensor failure in analogue inputs.
Sensor connection is wrong or there is no sensor connection.



2- If top display blinks : If analogue input value is less than minimum value of operating scale \boxed{LOL} top display starts to blink.



3- If top display blinks : If analogue input value is greater than maximum value of operating scale \boxed{UPL} top display starts to blink.



4- If technician password is different from "0" and user accesses to the parameter by Set button without entering the technician password and wants to change a parameter, the warning message is shown on the display as shown on the right. Device does not allow to do any changes without entering the password correctly.



Before beginning installation of this product, please read the instruction manual and warnings below carefully.

In package ,

- One piece unit
- Two pieces mounting clamp
- One piece instruction manual

A visual inspection of this product for possible damage occurred during shipment is recommended before installation. It is your responsibility to ensure that qualified mechanical and electrical technicians install this product.

If there is danger of serious accident resulting from a failure or defect in this unit, power off the system and separate the electrical connection of the device from the system.

The unit is normally supplied without a power switch or a fuse. Use power switch and fuse as required.

Be sure to use the rated power supply voltage to protect the unit against damage and to prevent failure.

Keep the power off until all of the wiring is completed so that electric shock and trouble with the unit can be prevented.

Never attempt to disassemble, modify or repair this unit. Tampering with the unit may results in malfunction, electric shock or fire.

Do not use the unit in combustible or explosive gaseous atmospheres. During the equipment is putted in hole on the metal panel while mechanical installation some metal burrs can cause injury on hands, you must be careful.

Montage of the product on a system must be done with it's mounting clamp. Do not do the montage of the device with inappropriate mounting clamp. Be sure that device will not fall while doing the montage.

It is your responsibility if this equipment is used in a manner not specified in this instruction manual.

Warranty

EMKO Elektronik warrants that the equipment delivered is free from defects in material and workmanship. This warranty is provided for a period of two years. The warranty period starts from the delivery date. This warranty is in force if duty and responsibilities which are determined in warranty document and instruction manual performs by the customer completely.

Maintenance

Repairs should only be performed by trained and specialized personnel. Cut power to the device before accessing internal parts. Do not clean the case with hydrocarbon-based solvents (Petrol, Trichlorethylene etc.). Use of these solvents can reduce the mechanical reliability of the device. Use a cloth dampened in ethyl alcohol or water to clean the external plastic case.

Other Informations

Manufacturer Information:

Emko Elektronik Sanayi ve Ticaret A.Ş.
Demirtaş Organize Sanayi Bölgesi Karanfil Sk. No:6 16369
BURSA/TURKEY

Phone : +90 224 261 1900
Fax : +90 224 261 1912

Repair and Maintenance Service Information:

Emko Elektronik Sanayi ve Ticaret A.Ş.
Demirtaş Organize Sanayi Bölgesi Karanfil Sk. No:6 16369
BURSA/TURKEY

Phone : +90 224 261 1900
Fax : +90 224 261 1912

Ordering Information

ESM-4400 (48x48 DIN 1/16)
ESM-4900 (96x48 DIN 1/8)
ESM-7700 (72x72 DIN Size)
ESM-9900 (96x96 DIN 1/4)

A	BC	D	E	/	FG	HI	/	U	V	W	Z
			1	/			/	0	0	0	0

A	Supply Voltage
1	100-240V ~ (-%15;+%10) 50/60Hz
2	24V ~ (-%15;+%10) 50/60Hz 24V --- (-%15;+%10)
9	Customer (Maximum 240V ~ (-%15;+%10))50/60Hz

BC	Input type	Scale
20	Configurable(Table-1)	Table-1

D	Serial Communication	Product Code
0	None	
1	RS-232	EMC-400,EMC-700,EMC-900
2	RS-485	EMC-410,EMC-710,EMC-910

E	Output-3
1	Relay Output(5A@250V~ on resistive Load)

FG	Module-1	Module Codes
00	None	
01	Relay Output Module	EMO-400,EMO-700,EMO-900
02	SSR driver Output Module (Maximum 26mA, 22V ---)	EMO-410,EMO-710,EMO-910
03	Digital (Transistor) Output Module (Maximum 40mA@18V ---)	EMO-420,EMO-720,EMO-920
04	Current Output Module (0/4...20 mA --- veya 0...10V ---)	EMO-430,EMO-730,EMO-930

HI	Module-2	Module Codes
00	None	
01	Relay Output Module	EMO-400,EMO-700,EMO-900
02	SSR driver Output Module (Maximum 26mA, 22V ---)	EMO-410,EMO-710,EMO-910
03	Digital (Transistor) Output Module (Maximum 40mA@18V ---)	EMO-420,EMO-720,EMO-920
04	Current Output Module (0/4...20 mA --- veya 0...10V ---)	EMO-430,EMO-730,EMO-930

Table-1

BC	Input Type(TC)	Scale(°C)	Scale(°F)
21	L ,Fe Const DIN43710	-100°C,850°C	-148°F ,1562°F
22	L ,Fe Const DIN43710	-100.0°C,850.0°C	-148.0°F,999.9°F
23	J ,Fe CuNi IEC584.1(ITS90)	-200°C,900°C	-328°F,1652°F
24	J ,Fe CuNi IEC584.1(ITS90)	-199.9°C,900.0°C	-199.9°F,999.9°F
25	K ,NiCr Ni IEC584.1(ITS90)	-200°C,1300°C	-328°F,2372°F
26	K ,NiCr Ni IEC584.1(ITS90)	-199.9°C,999.9°C	-199.9°F,999.9°F
27	R ,Pt13%Rh Pt IEC584.1(ITS90)	0°C,1700°C	32°F,3092°F
28	S ,Pt10%Rh Pt IEC584.1(ITS90)	0°C,1700°C	32°F,3092°F
29	T ,Cu CuNi IEC584.1(ITS90)	-200°C,400°C	-328°F,752°F
30	T ,Cu CuNi IEC584.1(ITS90)	-199.9°C,400.0°C	-199.9°F,752.0°F
31	B ,Pt30%Rh Pt6%Rh IEC584.1(ITS90)	44°C,1800°C	111°F,3272°F
32	B ,Pt30%Rh Pt6%Rh IEC584.1(ITS90)	44.0°C,999.9°C	111.0°F,999.9°F
33	E ,NiCr CuNi IEC584.1(ITS90)	-150°C,700°C	-238°F,1292°F
34	E ,NiCr CuNi IEC584.1(ITS90)	-150.0°C,700.0°C	-199.9°F,999.9°F
35	N ,Nicrosil Nisil IEC584.1(ITS90)	-200°C,1300°C	-328°F,2372°F
36	N ,Nicrosil Nisil IEC584.1(ITS90)	-199.9°C,999.9°C	-199.9°F,999.9°F
37	C , (ITS90)	0°C,2300°C	32°F,3261°F
38	C , (ITS90)	0.0°C,999.9°C	32.0°F,999.9°F
BC	Input Type(RTD)	Scale(°C)	Scale(°F)
39	PT 100 , IEC751(ITS90)	-200°C,650°C	-328°F,1202°F
40	PT 100 , IEC751(ITS90)	-199.9°C,650.0°C	-199.9°F,999.9°F
BC	Input Type(--- Voltage and Current)	Scale	
41	0...50 mV ---	-1999,9999	
42	0...5 V ---	-1999,9999	
43	0...10 V ---	-1999,9999	
44	0...20 mA ---	-1999,9999	
45	4...20 mA ---	-1999,9999	



Your Technology Partner

Thank you very much for your preference to use Emko Elektronik products, please visit our web page to download detailed user manual.

www.emkoelektronik.com.tr

ESM-XX00 PROZESSANZEIGE



CE EAC

ESM-4400, ESM-7700, ESM-9900, ESM-4900

Prozessanzeige mit Universal Eingang und Smart Ausgangs Modulsystem

- 4-stellige Prozess(PV) Anzeige
- Universal Prozesseingänge (TC, RTD, mV ---, V ---, mA ---)
- Duale oder Multipunkt Kalibrierung für DCV/ Strom Eingänge
- Smart Ausgangs Modulsystem
- Programmierbare Alarmfunktionen
- Prozesssteuerung oder 're-transmission (erneute Übertragung) (mit 0/4...20 mA DC Strom Ausgangsmodul
- RS-232 (Standard) oder RS-485 (optional) Kommunikation mit Modbus RTU Protokoll

SPEZIFIKATIONEN:**Prozess Eingänge**

Universaleingänge: TC, RTD, DC Voltlage/Strom Thermoelement (TC): L(DIN 43710), J, K, R, S, T, B, E und N (IEC584.1) (ITS90), C (ITS90) Thermowiderstand (RTD): PT-100 (IEC751) (ITS90) ===

Eingang: mV, V, mA

Messbereich: Siehe Tabelle-1 für Eingangstyp und Skalierung

Genauigkeit: $\pm 0.25\%$ vom vollen Skalenwert, für Thermoelement, Thermowiderstand, mV, V, mA

Kaltstellen-Kompensation: Wird am Gerät automatisch betätigt. $\pm 0.1^\circ\text{C}/1^\circ\text{C}$

Leitungskompensation: Maximal 10 Ohm

Sensorbruchschutz: Anzeige über der Skala

Ausleseintervall: 3 pro Sekunde

Eingangsfiler: Kann ein Wert zwischen 0.00 bis 900.0 Sekunden

AUSGANG

Standard Relaisausgang: 5A @250V \sim (Ohmsche Last)

Ausgangsmodul: Am Gerät können 2 Ausgangsmodule angeschlossen werden.

- Relais Ausgangsmodul

- SSR-Ausgangsmodul (Max. 26mA, Max 22V ===)

- SSR-Ausgangsmodul (Max. 40mA @18V ===)

- 0/4...20 mA === Strom Ausgangsmodul

VERSORGUNG

Versorgungsspannung:

100- 240V \sim 50/60Hz (-15% ; +10%) -6VA

24V \sim 50/60Hz (-15% ; +10%) -6A

24V === (-%15 ; +%10) -6W

(Versorgungsspannung bei der Bestellung ange ben)

ANZEIGE**Prozessanzeige :**

ESM-4400 : 10.1 mm rot 4-stellig LED-Anzeige

ESM-4900 : 20.3 mm rot 4-stellig LED-Anzeige

ESM-7700 : 13.2 mm rot 4-stellig LED-Anzeige

ESM-9900 : 19 mm rot 4-stellig LED-Anzeige

LED-Anzeigen: °C/°F / V, OP1/2/3 (Ausgangszustand) LED**UMWELTBEDINGUNGEN und PHYSIKALISCHE EIGENSCHAFTEN****Betriebstemperatur:** 0...50°C**Feuchtigkeit:** 0-90% RH (ohne Kondensation)**Schutzklasse:** Vorne IP65, hinten IP20**Gewicht:**

ESM-4400: 210 g

ESM-4900: 260 g

ESM-7700: 270 g

ESM-9900: 360 g

Abmessungen:

ESM-4400: (48 x 48 mm, Tiefe: 116 mm)

ESM-4900: (96 x 48mm, Tiefe:86.5 mm)

ESM-7700: (72 x 72mm, Tiefe:87.5 mm)

ESM-9900: (96 x 96mm, Tiefe:87.5 mm)

Frontplatten Ausschnitt:

ESM-4400: (46 x 46mm)

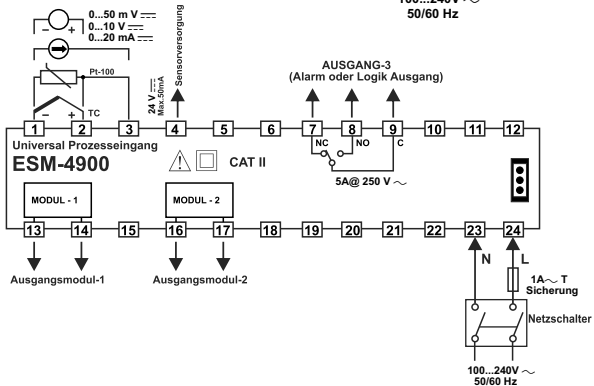
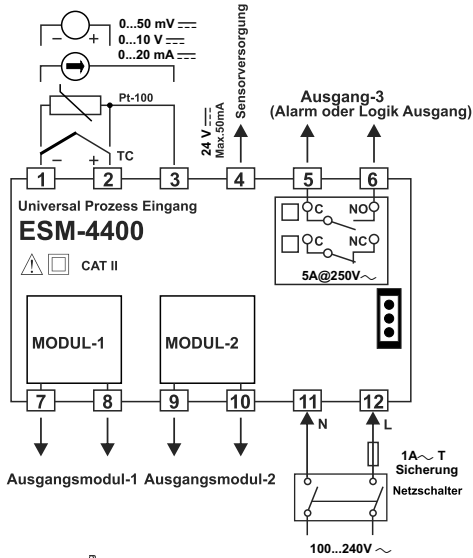
ESM-4900: (92 x 46mm)

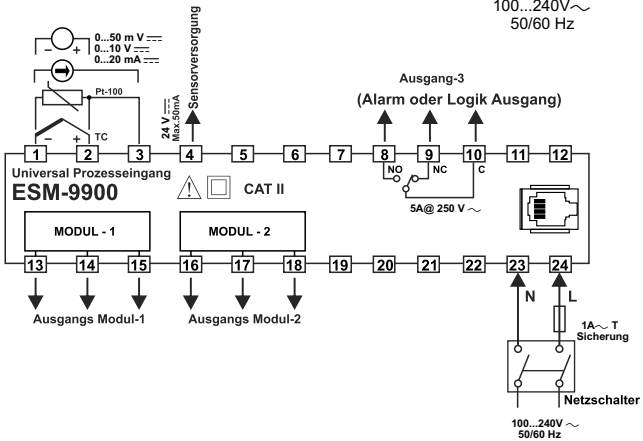
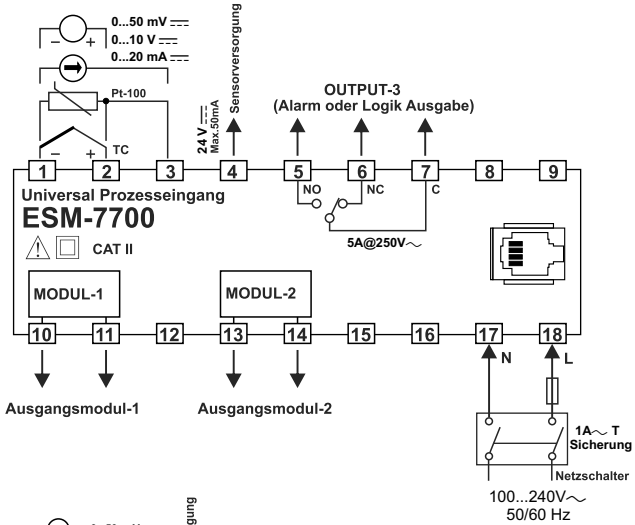
ESM-7700: (69 x 69mm)

ESM-9900: (92 x 92mm)

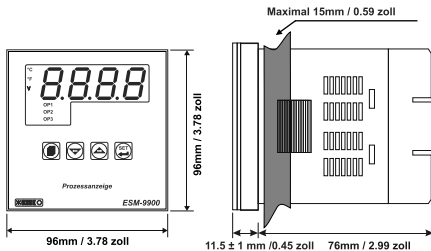
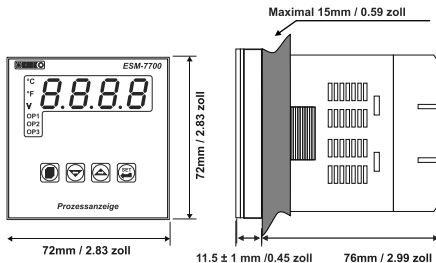
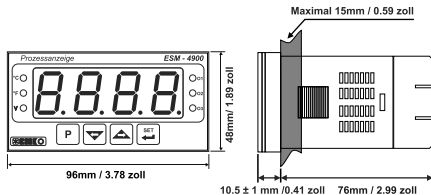
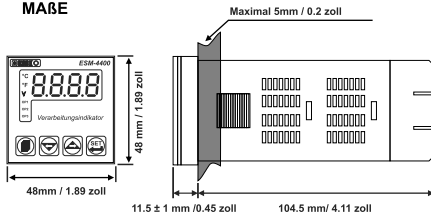
Elektrische Anschlüsse

DEUTCH

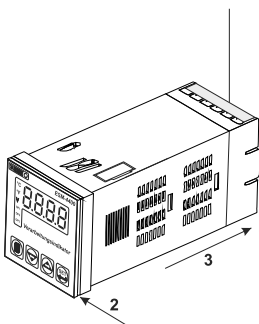




MAße



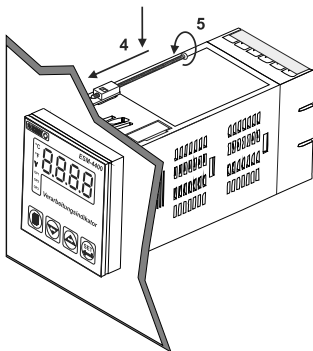
FRONTPLATTENMONTAGE



1-Den gegebenen Maßen entsprechend, Plattensegment des zu montierenden Gerätes vorbereiten.

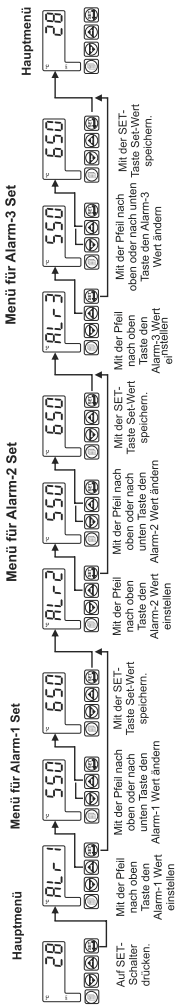
2- Sicherstellen, dass die Dichtung an der vorderen Platte angeschlossen ist.

3- Das Gerät in den Ausschnitt einschieben. Falls die Montageklammern auf dem Gerät sind, diese vorher entfernen.



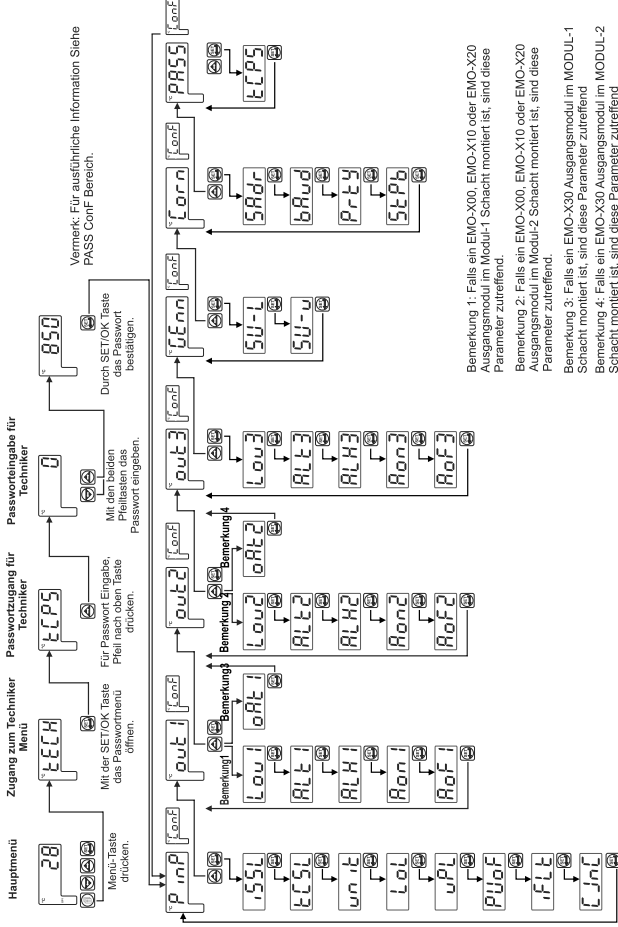
4- Die Montageklammern von hinten einsetzen und in Richtung Frontplatte schieben. Mittels der vorhandenen Schrauben das Gerät an der Frontplatte befestigen.

Zugriff und Änderung der Set-Werte



Bemerkung: Wenn der Anwender den  Schaller drückt, wird er, ohne die Set-Werte zu speichern, das Menü verlassen.
Wenn innerhalb von 120 Sekunden keine Aktion unternommen wird, verlässt das Gerät automatisch das Set-Menü.

Einfaches Zugriffsdigramm zu den Programm Parametern



1551 Prozess Eingangs Typ

- 0 TC Eingangs Typ Auswahl
- 1 RTD Eingangs Typ Auswahl
- 2 Spannung / Strom Eingangs Typ Auswahl

1551 TC Eingangs Auswahl

Diese Parameter sind

- 0 L (-100°C;850°C) oder (-148°F;1562°F)
- 1 L (-100.0°C;850.0°C) oder (-148.0°F;999.9°F)
- 2 J (-200°C;900°C) oder (-328°F;1652°F)
- 3 J (-199.9°C;900.0°C) oder (-199.9°F;999.9°F)
- 4 K (-200°C;1300°C) oder (-328°F;2372°F)
- 5 K (-199.9°C;999.9°C) oder (-199.9°F;999.9°F)
- 6 R (0°C;1700°C) oder (32°F;3092°F)
- 7 R (0.0°C;999.9°C) oder (32.0°F;999.9°F)
- 8 S (0°C;1700°C) oder (32°F;3092°F)
- 9 S (0.0°C;999.9°C) oder (32.0°F;999.9°F)
- 10 T (-200°C;400°C) oder (-328°F;752°F)
- 11 T (-199.9°C;400.0°C) oder (-199.9°F;752.0°F)
- 12 B (44°C;1800°C) oder (111°F;3272°F)
- 13 B (44.0°C;999.9°C) oder (111.0°F ; 999.9°F)
- 14 E (-150°C;700°C) oder (-238°F;1292°F)
- 15 E (-150.0°C;700.0°C) oder (-199.9°F;999.9°F)
- 16 N (-200°C;1300°C) oder (-328°F;2372°F)
- 17 N (-199.9°C;999.9°C) oder (-199.9°F;999.9°F)
- 18 C (0°C;2300°C) oder (32°F;3261°F)
- 19 C (0.0°C;999.9°C) oder (32.0°F;999.9°F)

1551 RTD Eingangs Auswahl

Wenn RTD Eingabemodell gewählt ist, wird dieser Parameter aktiv sein.

- 0 PT-100 (-200°C ; 650°C) oder (-328°F ; 1202°F)
- 1 PT-100 (-199.9°C ; 650.0°C) oder (-199.9°F ; 999.9°F)

1551 Spannung / Strom Eingangs Auswahl

Ist --- Spannung/ Strom Eingang gewählt, wird dieser Parameter aktiv.

- 0 0...50mV --- (-1999; 9999)
- 1 0...5V --- (-1999; 9999)
- 2 0...10V --- (-1999; 9999)
- 3 0...20mA --- (-1999; 9999)
- 4 4...20mA --- (-1999; 9999)

dPnt

Dezimalpunkt Position für die Anzeige

Wenn --- Voltlage / Strom Eingang gewählt ist, wird dieser Parameter aktiv.

0

Kein Punkt.

1

Zwischen der ersten und zweiten Stelle "0.0"

2

Zwischen der zweiten und dritten Stelle "0.00"

3

Zwischen der dritten und vierten Stelle "0.000"

uARL

Anzeigewert Einstellung

Wenn --- Spannung/ Strom Eingang gewählt ist, wird dieser Parameter aktiv.

0

Feste Zweipunkt-Einstellung. Unterer-Wert ist fixiert auf den Wert -1999 der obere Wert ist fixiert auf 9999.

1

Der Benutzer kann mit tPoL und tPoH die Zweipunkt-darstellung einstellen.

2

Der Benutzer kann 16 Punkt-darstellung einstellen.

tPoL

Einstellung unterer Anzeigewert (-1999, 9999) Einheiten

Wenn --- Spannung/ Strom Eingang gewählt ist, wird dieser Parameter is aktiv.

tPoH

Einstellung oberer Anzeigewert (-1999, 9999) Einheiten

Wenn --- Spannung/ Strom Eingang gewählt ist, wird dieser Parameter is aktiv.

Po00

⋮

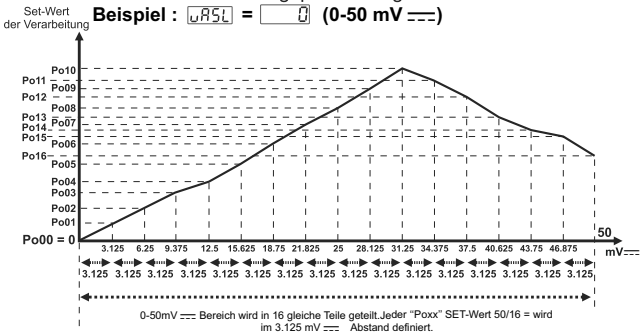
Anzeige Einstellungs Punkte (-1999, 9999) Einhei

Wenn --- Spannung/ Strom Eingang gewählt ist, wird dieser Parameter is aktiv.

Po16

Bei der Mehrpunkt-Darstellungseinstellung, wird die definierte Skala in 16 Einstellungs-punkte aufgeteilt.

Beispiel : **uARSL** = 0 **(0-50 mV ---)**



CoEF**Multiplikationsfaktor (1.000 , 9.999)**

Der Verarbeitungswert wird mit diesem Wert multipliziert.

Wenn Spannung/ Strom Eingang gewählt ist, wird dieser Parameter aktiv. **un it****Einheitenauswahl** **oC**

Einheit °C

 oF

Einheit °F

 u

Einheit ist Spannung. Wenn DC Spannung/ Strom Eingang gewählt ist, wird dieser Parameter aktiv.

 -

Keine Einheit. Wenn DC Spannung / Strom Eingang gewählt ist, wird dieser Parameter aktiv.

 LoL**Minimaler Wert der Betriebsskala****(Unterer Skalenwert, oberer Skalenwert) Einheiten**

Wird in der Proportionalband Berechnung und Anzeigen Blinkvorgang verwendet.

 uPL**Maximaler Wert der Betriebsskala****(Unterer Skalenwert, oberer Skalenwert) Einheiten**

Wird in der Proportionalband Berechnung und Anzeigen Blinkvorgang verwendet.

 PUoF**Darstellung Offset-Wert (Skala -10%, Skala+10%) Einheit**

Dieser Parameterwert wird dem Prozesswert dazu addiert.

 iFLt**Filterdauer (0.0, 900.0) Sekunden**

Filterdauer für Anzeigewert.

 TCnL**Kaltstellen-Kompensation**

Wenn TC Eingang gewählt ist, wird dieser Parameter aktiv

 YES

Kaltstellen-Kompensation ist aktiv.

 no

Kaltstellen-Kompensation ist passiv.

Skala: Der Prozesseingabe entsprechend, der Unterschied zwischen dem maximalen und minimalen Werte, die das Gerät lesen kann. Beispiel: Wenn tCSL = 2 (unterer Wert für 2 = -200, oberer Wert = 900) ist die Skala = 1100. Ist der Eingangstyp Spannung/Strom, dann ist die Skala der Unterschied zwischen den Werten tPoL und tPoH.

Ausgang 1 ConF: MODUL-1 Parameter



Wenn im MODUL-1 Gehäuse eines der EMO-X00 (Relais-Ausgang), EMO-X10 (SSR-Treiber) und EMO-X20 (Digital Ausgang) Module vorhanden ist, werden nachstehende Parameter aktiv..

LOU |

MODUL-1 Ausgangsmodul Logik Ausgangsfunktion



Alarmausgang



Alarmausgang für Sensorbruch



Der Ausgang ist aktiv, wenn der Prozesswert sich außerhalb des definierten Bandes von LOL und UPL befindet.

AL1 |

Alarm-1 Typ

MODUL-1 Alarm Typ. Dieser Parameter wird aktiv, wenn die Logik-1 Ausgangsfunktion als Alarmausgang festgelegt wird.



Prozess High Alarm



Prozess Low Alarm

ALH |

Hysteresewert von Alarm-1 (Skala 0%, Skala 50%) Einheit

Wird aktiv, wenn die Logik-1 Ausgangsfunktion als Alarmausgang gewählt wird.

RON |

Alarm-1 Einschaltverzögerung(0, 9999) Sekunden

Wird aktiv, wenn die Logik-1 Ausgangsfunktion als Alarmausgang gewählt wird.

ROF |

Alarm-1 Ausschaltverzögerung(0, 9998) Sekunden

Ab dem Parameterwert 9998 erscheint im Bildschirm die $LELH$ Schrift. Der gesperrte Ausgang ist gewählt. Dieser Parameter wird aktiv, wenn die Logik-1 Ausgangsfunktion als Alarmausgang gewählt ist.

Ausgang 1 ConF: MODUL-1 Parameter



Wenn im MODUL-1 Gehäuse ein EMO-X30 (0/4...20 mA --- Stromausgang) Modul vorhanden ist, werden die nachstehende Parameter aktiv.

oAL1 |

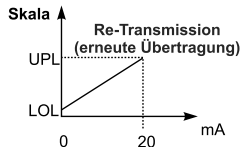
MODUL-1 Analog Ausgang Modulkonfiguration



0...20mA ---Ausgang



4...20mA ---Ausgang



Ausgang 2 ConF: MODUL-2 Parameter



Wenn im MODUL-2 Gehäuse eines der EMO-X00 (Relais-Ausgang), EMO-X10 (SSR-Treiber) und EMO-X20 (Digital Ausgang) Module vorhanden ist, werden nachstehende Parameter aktiv.

LOU2**MODUL-2 Ausgangsmodul Logik Ausgangsfunktion**

Alarmausgang



Alarmausgang für Sensorbruch



Wenn der Prozesswert von der mit **LOL** und **UPL** festgelegten Skala abweicht, wird diese Ausgabe aktiv.

AL22**Alarm-2 Typ**

MODUL-2 Alarm Typ. Dieser Parameter ist aktiv, wenn die Logik-2 Ausgangsfunktion als Alarmausgang gewählt wird.



Prozess High Alarm



Prozess Low Alarm

ALH2**Hysterese-Wert von Alarm-2 (Skala 0%, Skala 50%) Einheit**

Wird aktiv, wenn die Logik Ausgangsfunktion von Logik-2 als Alarmausgang gewählt wird.

R0N2**Alarm-2 Einschaltverzögerungszeit(0, 9999) Sekunden**

Wird aktiv, wenn die Logik-2 Ausgangsfunktion als Alarmausgang gewählt wird.

R0F2**Alarm-2 Ausschaltverzögerungszeit (0, 9998) Sekunden**

Ab dem Parameterwert 9998 erscheint im Bildschirm die **LECH** Schrift. Die gesperrte Ausgabe ist gewählt. Dieser Parameter wird aktiv, wenn die Logik Ausgabefunktion von Alarm-2 gewählt ist.

Ausgang 2 ConF: MODUL-2 Parameter



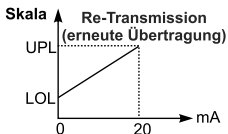
Wenn im MODUL-2 Gehäuse ein EMO-X30 (0/4...20 mA --- Stromausgangs) Modul vorhanden ist, werden die nachstehende Parameter aktiv.

oAT2**MODUL-2 analog Ausgangs Modul Konfiguration**

0...20mA ---Ausgang



4...20mA ---Ausgang



LOU3 Ausgang-3 Logik Ausgangsfunktion

- 0 Alarmausgang
- 1 Alarmausgang für Sensorbruch
- 2 Wenn der Prozesswertwert von der durch **LOL** und **UPL** festgelegten Skala abweicht, wird diese Ausgabe aktiv.

ALT3 Alarm-3 Typ

Die Alarmart für Ausgang-3 wird festgelegt. Wird aktiv, wenn die Logik-3 Ausgangsfunktion als Alarmausgang gewählt wird.

- 0 Prozess High Alarm
- 1 Prozess Low Alarm

ALH3 Hysterese-Wert von Alarm-3 (Skala 0%, Skala 50%) Einheit

Wird aktiv, wenn die Logik-3 Ausgangsfunktion als Alarmausgang gewählt wird.

RON3 Alarm-3 Einschaltverzögerung(0, 9999) Sekunden,

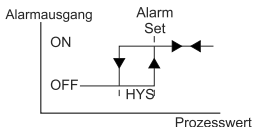
Wird aktiv, wenn die Logik-3 Ausgangsfunktion als Alarmausgang gewählt wird.

ROF3 Alarm-3 Ausschaltverzögerung(0, 9998) Sekunden **LELH**

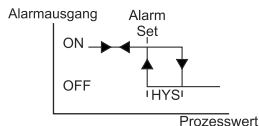
Ab dem Parameterwert 9998 erscheint im Bildschirm die Schrift. Die gesperrte Ausgabe ist gewählt. Dieser Parameter wird aktiv, wenn die Logik-3 Ausgangsfunktion als Alarmausgang gewählt ist.

Alarmarten

Prozess High Alarm



Prozess Low Alarm



Gen ConF: Allgemeine Parameter

SU-L Alarm Unterer Wert (**LoL** , **SU-U**)

SU-U Alarm Oberer Wert (**SU-L** , **uPL**)

Com ConF: Parameter für serielle Verbindungskonfiguration

Adr Zugangsadresse für Verbindung (1,247)

Es ist die Adresse, die das Gerät während der Modbus RTU Verbindung verwenden wird.

baud Kommunikation Baud Rate

0000 1200 Baud

0001 2400 Baud

0002 4800 Baud

0003 9600 Baud

0004 19200 Baud

Prty Auswahl Parität

0000 No Parity

0001 ODD Parity (Ungerade Parität)

0002 EVEN Parity (Gerade Parität)

StPb Auswahl Stoppbit

0000 1 Stoppbit

0001 2 Stoppbits

PASS ConF: Parameter für Passwort

TEPS Techniker Passwort (0, 9999)

Dient für den Zugriff auf Techniker Parameter und deren Sicherung.

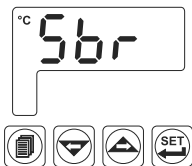
Ist der Wert , ist für den Zugriff auf die Parameter kein Passwort erforderlich.

Wenn während des Zugriffs auf die Techniker Parameter dieser Wert nicht "0" ist,

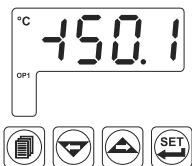
1- Der Benutzer den **TEPS** Wert falsch eingibt: wird er ohne die Parameterwerte sehen zu können, zu den Hauptoptionen zurück geführt.

2- Wenn der Benutzer ohne das **TEPS** Passwort eingehend, die Set-Taste drückt, kann er zum Techniker-Menü gehen (um die Parameter anzusehen): Über das Techniker Passwort Menü ("Pass Conf") können alle Menü- und Parameterwerte gesehen, jedoch nicht verändert werden.

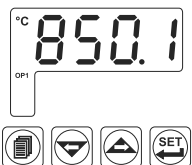
Fehlermeldungen des Prozesssteuergerätes ESM-XX00



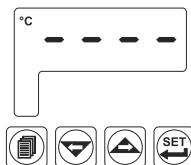
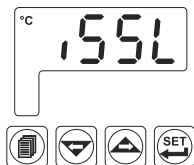
1 - Störung im Analogeingang, Falsche Sensorverbindung oder keine Sensorverbindung vorhanden.



2- Wenn der obere Bildschirmwert blinkt: Ist der analoge Eingangswert kleiner als der minimale Skalenwert, $[Lo]$ den der Anwender aus der Prozessskala festgelegt hat, blinkt die obere Anzeige..



2- Wenn der obere Bildschirmwert blinkt: Ist der analoge Eingangswert größer als der maximale Skalenwert, $[uPi]$ den der Anwender aus der Prozessskala festgelegt hat, blinkt die obere Anzeige..



4- Wenn im Gerät ein Techniker Passwort vorhanden ist, jedoch ohne richtige Passwordeingabe im Zugangsbildschirm versucht wird, die Parameter zu ändern, wird die nebenan stehende Warnung erscheinen. Ohne richtige Passwordeingabe erlaubt das Gerät keine Parameterveränderung.

Zum Beispiel: Im Techniker Menü ist ein Passwort hinterlegt und ohne Eingabe dieses Passwortes öffnen wir mit dem Set-Schalter dieses Menü und versuchen den ISSL Parameter zu ändern. Wenn wir die Pfeil nach oben Taste drücken, erscheint obige Anzeige im Bildschirm und erlaubt keine Veränderung.

Installation



Vor der Gerätemontage, bitte die Gebrauchsanweisung und die nachstehenden Hinweise lesen.

Im Paket sind:

- 1 Gerät
- 2 Montageclips mit Schrauben
- Garantieschein und Gebrauchsanweisung.

Vor der Montage das Gerät visuell prüfen, ob es während des Transportes beschädigt wurde. Die Montage und Benutzung muss durch Fachpersonal ausgeführt werden. Dies ist in der Verantwortung des Käufers.

Falls aufgrund eines Fehlers oder einer Störung des Gerätes eine Gefahr bestehen sollte, die Energiezufuhr des Systems abschalten und alle elektrischen Verbindungen des Gerätes vom System entfernen.

Im Gerät befindet sich keine Sicherung und kein Netzschalter. Der Käufer muss an die Spannungszuführung des Gerätes einen Netzschalter und eine Sicherung anbringen.

Achten Sie darauf dass die Versorgungsspannung der Gerätespezifikation entspricht um eine Beschädigung oder Zerstörung zu vermeiden.

Um einen elektrischen Schock und ähnliche Unfälle zu vermeiden, muss das Gerät und System vor der Verkabelung der Anschlüsse vom Stromnetz genommen werden.

Am Gerät dürfen keine Veränderungen vorgenommen und das Gerät darf nicht repariert werden. Eingriffe am Gerät können eine fehlerhafte Funktion, Beschädigung des Gerätes oder Systems, sowie elektrischen Schock oder Feuer auslösen.

Das Gerät darf auf keinen Fall in der Nähe von brennbaren und explosiven Gasen verwendet werden.

Bitte achten Sie bei der Montage des Gerätes auf scharfe Kanten, Sie können sich dabei möglicherweise verletzen.

Das Gerät darf nur mit dem mitgeliefertem Befestigungsmaterial an das System montiert werden. Das Gerät nicht mit ungeeigneten Verbindungsteilen montieren. Das Gerät mit den mitgelieferten Verbindungsteilen so montieren, dass es fest mit der Montageplatte verbunden ist.

Im Falle der Missachtung dieser Bedienungsanleitung liegt die Verantwortung im Schadensfalle beim Anwender.

Garantie

2 Jahre Garantieschutz gegen Material- und Handwerksfehler. Diese Garantie wird mit dem Vorbehalt gewährleistet, dass der Kunde den in dem Garantieschein und Bedienungsanleitung erwähnten Verpflichtungen und Verantwortungen nachgeht.

Instandhaltung

Das Gerät muss durch ausgebildete Personen repariert werden. Vor Zugriff auf Innenteile, das Strom des Gerätes ausschalten.
Gerät nicht mit Kohlenwasserstoff (wie Mineralöl und Trichlorethylen) enthaltenen Lösungen reinigen. Das Reinigen mit diesen Lösungen, kann die mechanische Sicherheit des Gerätes vermindern.
Für das Reinigen des äußerlichen Plastiks, mit Äthylalkohol oder Wasser befeuchtetes Tuch verwenden

Sonstige Angaben

Herstellerangaben:

Emko Elektronik Sanayi ve Ticaret A.Ş.
Demirtaş Organize Sanayi Bölgesi Karanfil Sk. No:6 16369
BURSA/ TÜRKİYE
Tel : +90 224 261 1900
Fax : +90 224 261 1912

Bestellungsinformationen

ESM-4400 (48x48 DIN 1/16)
ESM-4900 (96x48 DIN 1/8)
ESM-7700 (72x72)
ESM-9900 (96x96 DIN 1/4)

A	BC	D	E	/	FG	HI	/	U	V	W	Z
			1	/			/	0	0	0	0

A	Versorgungsspannung
1	100-240V ~ (-%15;+%10) 50/60Hz
2	24V ~ (-15%;+%10) 50/60Hz 24V === (-%15;+%10)
9	Kundenspezifisch (maximal 240 V ~ (-%15;+%10))50/60Hz

BC	Eingangs Typ	Skala
20	Konfigurierbar. (Tabelle-1)	Tabelle-1

D	Serielle Verbindung	Produktcode
0	Keine	
1	RS-232	EMC-400,EMC-700,EMC-900
2	RS-485	EMC-410,EMC-710,EMC-910

E	Ausgang-3
1	Relaisausgang (5A@250V ~ ohmsche Last)

FG	Modul-1	Modulcodes
00	Nicht vorhanden	
01	Relais Ausgangsmodul	EMO-400,EMO-700,EMO-900
02	SSR-TreiberAusgangsmodul (Max. 26mA, Max 22V ===)	EMO-410,EMO-710,EMO-910
03	Digital (Transistor) Ausgangsmodul (Maximal 40mA@18V ===)	EMO-420,EMO-720,EMO-920
04	(Strom Ausgangsmodul (0/4...20mA ===) (oder 0...10V ===)	EMO-430,EMO-730,EMO-930

HI	Modul-2	Modulcodes
00	Nicht vorhanden	
01	Relais Ausgangsmodul	EMO-400,EMO-700,EMO-900
02	SSR-TreiberAusgangsmodul (Maximal 20mA@18V ===)	EMO-410,EMO-710,EMO-910
03	Digital (Transistor) Ausgangsmodul (Maximal 40mA@18V ===)	EMO-420,EMO-720,EMO-920
04	(Strom Ausgangsmodul (0/4 20mA ===) (oder 0...10V ===)	EMO-430,EMO-730,EMO-930

Tabelle-1

BC	Eingangs Typ(TC)	Skala(°C)	Skala(°F)
21	L ,Fe Const DIN43710	-100°C,850°C	-148°F ,1562°F
22	L ,Fe Const DIN43710	-100.0°C,850.0°C	-148.0°F,999.9°F
23	J ,Fe CuNi IEC584.1(ITS90)	-200°C,900°C	-328°F,1652°F
24	J ,Fe CuNi IEC584.1(ITS90)	-199.9°C,900.0°C	-199.9°F,999.9°F
25	K ,NiCr Ni IEC584.1(ITS90)	-200°C,1300°C	-328°F,2372°F
26	K ,NiCr Ni IEC584.1(ITS90)	-199.9°C,999.9°C	-199.9°F,999.9°F
27	R ,Pt13%Rh Pt IEC584.1(ITS90)	0°C,1700°C	32°F,3092°F
28	S ,Pt10%Rh Pt IEC584.1(ITS90)	0°C,1700°C	32°F,3092°F
29	T ,Cu CuNi IEC584.1(ITS90)	-200°C,400°C	-328°F,752°F
30	T ,Cu CuNi IEC584.1(ITS90)	-199.9°C,400.0°C	-199.9°F,752.0°F
31	B ,Pt30%Rh Pt6%Rh IEC584.1(ITS90)	44°C,1800°C	111°F,3272°F
32	B ,Pt30%Rh Pt6%Rh IEC584.1(ITS90)	44.0°C,999.9°C	111.0°F,999.9°F
33	E ,NiCr CuNi IEC584.1(ITS90)	-150°C,700°C	-238°F,1292°F
34	E ,NiCr CuNi IEC584.1(ITS90)	-150.0°C,700.0°C	-199.9°F,999.9°F
35	N ,Nicrosil Nisil IEC584.1(ITS90)	-200°C,1300°C	-328°F,2372°F
36	N ,Nicrosil Nisil IEC584.1(ITS90)	-199.9°C,999.9°C	-199.9°F,999.9°F
37	C , (ITS90)	0°C,2300°C	32°F,3261°F
38	C , (ITS90)	0.0°C,999.9°C	32.0°F,999.9°F

BC	Eingangs Typ(RTD)	Skala(°C)	Skala(°F)
39	PT 100 , IEC751(ITS90)	-200°C,650°C	-328°F,1202°F
40	PT 100 , IEC751(ITS90)	-199.9°C,650.0°C	-199.9°F,999.9°F

BC	Eingangs Typ(--- Spannung und Strom)	Skala
41	0...50 mV ---	-1999,9999
42	0...5 V ---	-1999,9999
43	0...10 V ---	-1999,9999
44	0...20 mA ---	-1999,9999
45	4...20 mA ---	-1999,9999


Ihr Technologiepartner

Wir danken Ihnen, dass Sie sich für die elektronischen Produkte von EMKO entschieden haben, bitte besuchen Sie unsere Webseite, wenn Sie die detaillierte Gebrauchsanweisung laden möchten.

www.emkoelektronik.com.tr

**INDICATEURS DE PROCESS
ESM-XX00**

CE EAC

ESM-4400, ESM-7700, ESM-9900, ESM-4900

Écrans du processus du système de module de sortie intelligente de l'entrée universelle

- Afficheur de process (PV) 4 chiffres
- Entrées de processus universelles (TC, RTD, mV---, V---, mA ---)
- étalonnage en deux ou plusieurs points pour les entrées de tension --- et d'intensité ---
- Système de module de sortie intelligent
- Fonctions d'alarme programmables
- Contrôle ou retransmission de process avec module de sortie de courant 0/4...20 mA ---
- Communication série avec protocole MODBUS RTU RS-232 (standard) ou RS-485 (en option)

CARACTÉRISTIQUES

ENTRÉE DU PROCESS

Entrée universelle : Tension/courant TC, RTD, ---
 Thermocouple (TC) : L(DIN 43710), J, K, R, S, T, B, E et N
 (IEC584.1)(ITS90), C (ITS90)
 Thermo resistance (RTD) : PT-100 (IEC751)(ITS90)
 Entrée --- : mV, V, mA

Plage de mesure : Veuillez vous reporter au tableau 1 pour la sélection du type et de l'échelle d'entrée

Précision : $\pm 0,25\%$ de la pleine échelle pour l'entrée du thermocouple, de la thermorésistance, mV, V et mA.

Compensation soudure froide : Automatiquement $\pm 0,1^\circ\text{C}/1^\circ\text{C}$

Compensation de ligne : Maximum 10 Ohm

Protection contre la rupture du capteur : Haut de gamme

Fréquence de scrutation : 3 échantillons par seconde

Filtre d'entrée : 0,0 à 900,0 secondes

SORTIE

Sortie relais standard : 5 A @ 250 V \sim (sur charge résistive)

Modules de sortie : L'utilisateur peut raccorder 2 modules de sortie à l'appareil.

-Module de sortie relais

-Module de sortie SSR (Max. 26 mA, Max. 22 V ---)

-Module de sortie (transistor) numérique (Max. 40 mA @ 18 V ---)

-Module de sortie courant 0/4...20 mA ---

ALIMENTATION

Tension d'alimentation :

100-240 V \sim 50/60 Hz (-%15;+%10) -6 VA

24 V \sim 50/60 Hz (-%15 ; +%10) -6 VA

24 V --- (-%15 ; +%10) -6 W

(elle doit être déterminée dans l'ordre.)

AFFICHAGE

Affichage de process :

ESM-4400 : Afficheur DEL rouge 4 chiffres 10,1 mm

ESM-4900 : Afficheur DEL rouge 4 chiffres 20,3 mm

ESM-7700 : Afficheur DEL rouge 4 chiffres 13,2 mm

ESM-9900 : Afficheur DEL rouge 4 chiffres 19 mm

L'indicateurs DEL : DEL (état de sortie) °C /°F / V, OP1/2/3.

ÉVALUATION ENVIRONNEMENTALE ET CARACTÉRISTIQUES PHYSIQUES

Température de fonctionnement :	0...50°C
Humidité :	0-90%RH (sans condensation)
Classe de protection :	IP65 à l'avant, IP20 à l'arrière.
Montage :	Boîtier de type 1
Installation :	Installation fixe de catégorie II
Catégorie de surtension :	II
Degré de pollution :	II, bureau ou lieu de travail, pollution non-conductrice

Poids :

ESM-4400 : 210 g

ESM-4900 : 260 g

ESM-7700 : 270 g

ESM-9900 : 360 g

Dimensions/Découpe du panneau :

ESM-4400 : (48 x 48 mm, profondeur : 116 mm)/(46 x 46 mm)

ESM-4900 : (96 x 48 mm, profondeur : 86,5 mm)/(92 x 46 mm)

ESM-7700 : (72 x 72 mm, profondeur : 87,5 mm)/(69 x 69 mm)

ESM-9900 : (96 x 96 mm, profondeur : 87,5 mm)/(92 x 92 mm)

Distance minimale entre les centres de découpe du panneau :

ESM-4400 : X = 65 mm, Y = 65 mm

ESM-4900 : X = 129 mm, Y = 65 mm

ESM-7700 : X = 97 mm, Y = 97 mm

ESM-9900 : X = 129 mm, Y = 129 mm



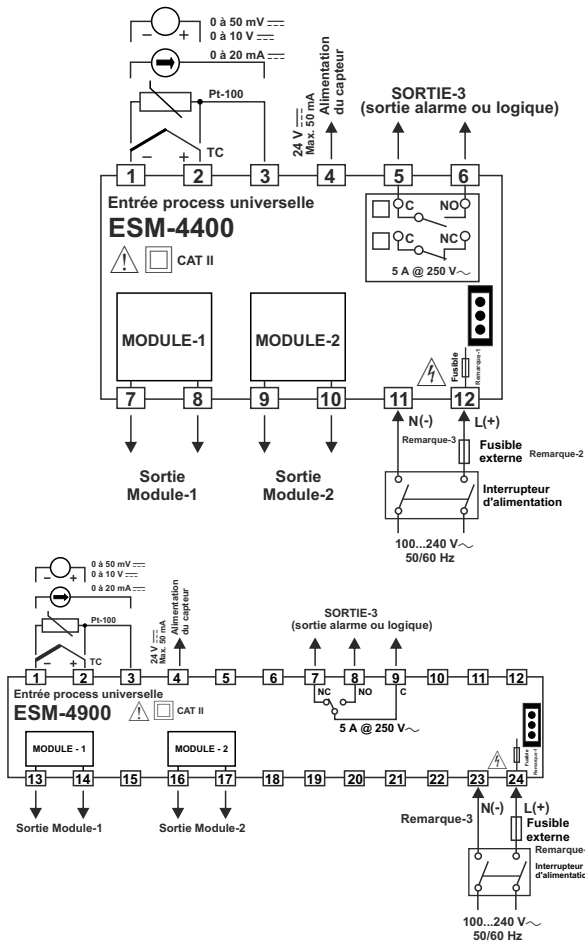
Ce symbole est utilisé pour les avertissements de sécurité. L'utilisateur doit prêter attention à ces avertissements.

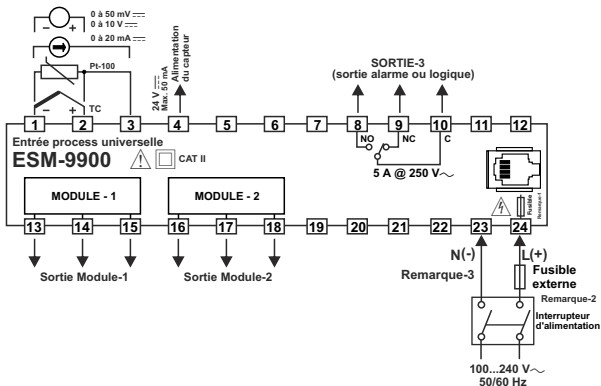
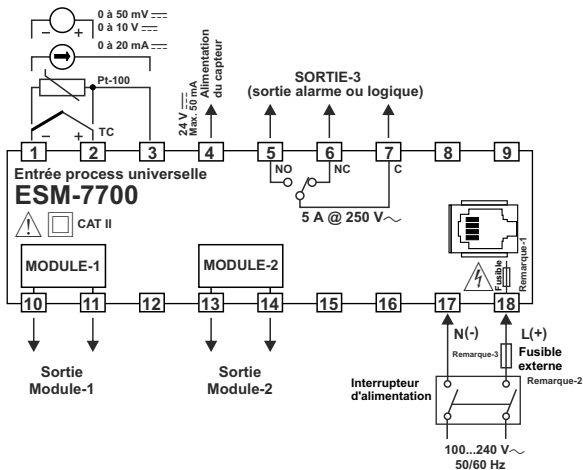


Ce symbole est utilisé pour déterminer les situations dangereuses à la suite d'un choc électrique. L'utilisateur doit absolument prêter attention à ces avertissements.



Ce symbole est utilisé pour déterminer les remarques importantes concernant les fonctions et l'utilisation de l'appareil.





Remarque-1 : Il existe une résistance interne fusible antidéflagrante.

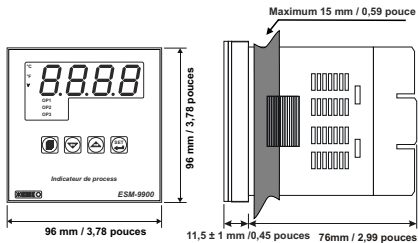
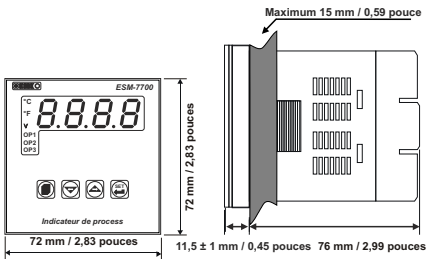
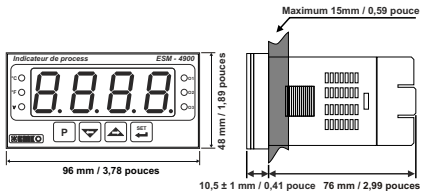
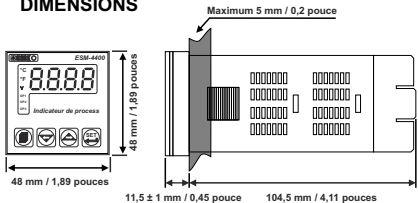
Remarque-2 : Un fusible externe est recommandé.

1 A ~ T pour l'alimentation 100...240 V ~ ou 24 V ~

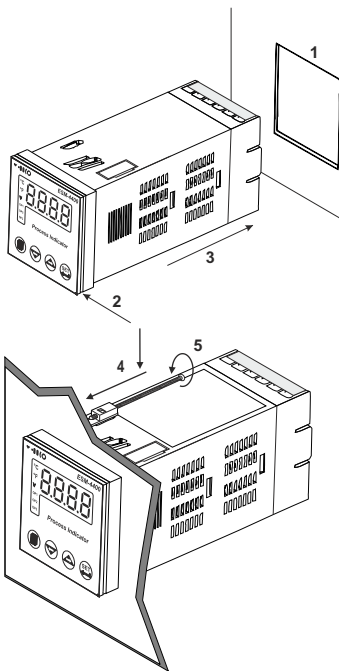
1 A --- T pour alimentation 24 V ---

Remarque-3 : « L » est (+), « N » est (-) pour la tension d'alimentation de 24 V ---

DIMENSIONS



MONTAGE SUR PANNEAU



- 1- Avant d'installer l'appareil dans votre panneau, assurez-vous que la découpe a la taille appropriée.
- 2- Vérifiez la position du joint du panneau avant.
- 3- Insérez le produit à travers la découpe. Si les pinces de fixation sont sur l'appareil, enlevez-les avant d'insérer l'appareil dans le panneau.

4- Insérez l'appareil dans la découpe du panneau de la face avant.

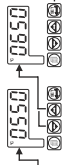
5- Insérez les brides de fixation dans les trous situés sur les faces supérieure et inférieure du produit et serrez les vis de fixation jusqu'à ce que l'appareil soit complètement immobilisé dans le panneau.

Écran principal



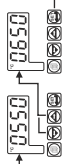
Appuyez sur la touche d'incrémenta- tion de consigne. Appuyez sur la touche d'incrémenta- tion ou de décrémenta- tion pour saisir la valeur de consigne de l'alarme-1.

Écran consigne alarme-1



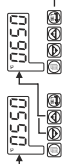
Appuyez sur la touche d'incrémenta- tion ou de décrémenta- tion pour enregistrer la valeur de consigne de l'alarme-1.

Écran consigne alarme-2



Appuyez sur la touche d'incrémenta- tion ou de décrémenta- tion pour saisir la valeur de consigne de l'alarme-2.

Écran consigne alarme-3



Appuyez sur la touche d'incrémenta- tion ou de décrémenta- tion pour saisir la valeur de consigne de l'alarme-3.

Écran principal



Appuyez sur la touche d'incrémenta- tion ou de décrémenta- tion pour enregistrer la valeur de consigne de l'alarme-3.

Remarque : L'utilisateur peut quitter la Section valeur de consigne sans enregistrer les valeurs en appuyant sur la touche . Si aucune opération n'est effectuée pendant 120 secondes, l'appareil quitte automatiquement la Section valeur de consigne.

1551 Type d'entrée de process

- 0000 Sélection du type d'entrée TC
- 0001 Sélection du type d'entrée RTD
- 0002 Sélection du type d'entrée de tension/courant ===

1551 Sélection d'entrée TC

Ce paramètre est actif si le type d'entrée TC est sélectionné.

- 0000 L (-100°C ; 850°C) ou (-148°F ; 1562°F)
- 0001 L (-100,0°C ; 850,0°C) ou (-148,0°F ; 999,9°F)
- 0002 J (-200°C ; 900°C) ou (-328°F ; 1652°F)
- 0003 J (-199,9°C;900,0°C) ou (-199,9°F ; 999,9°F)
- 0004 K (-200°C ; 1300°C) ou (-328°F ; 2372°F)
- 0005 K (-199,9°C ; 999,9°C) ou (-199,9°F ; 999,9°F)
- 0006 R (0°C ; 1700°C) ou (32°F ; 3092°F)
- 0007 R (0,0°C ; 999,9°C) ou (32,0°F ; 999,9°F)
- 0008 S (0°C ; 1700°C) ou (32°F ; 3092°F)
- 0009 S (0,0°C ; 999,9°C) ou (32,0°F;999,9°F)
- 0010 T (-200°C ; 400°C) ou (-328°F ; 752°F)
- 0011 T (-199,9°C ; 400,0°C) ou (-199,9°F ; 752,0°F)
- 0012 B (44°C ; 1800°C) ou (111°F ; 3272°F)
- 0013 B (44,0°C ; 999,9°C) ou (111,0°F ; 999,9°F)
- 0014 E (-150°C ; 700°C) ou (-238°F ; 1292°F)
- 0015 E (-150,0°C ; 700,0°C) ou (-199,9°F ; 999,9°F)
- 0016 N (-200°C ; 1300°C) ou (-328°F ; 2372°F)
- 0017 N (-199,9°C ; 999,9°C) ou (-199,9°F ; 999,9°F)
- 0018 C (0°C ; 2300°C) ou (32°F ; 3261°F)
- 0019 C (0,0°C ; 999,9°C) ou (32,0°F ; 999,9°F)

1551 Sélection d'entrée RTD

Ce paramètre est actif si l'entrée RTD est sélectionnée.

- 0000 PT-100 (-200°C ; 650°C) ou (-328°F ; 1202°F)
- 0001 PT-100 (-199,9°C ; 650,0°C) ou (-199,9°F ; 999,9°F)

1551 Sélection d'entrée de tension/courant ===

Ce paramètre est actif si la tension/le courant === est sélectionné.

- 0000 0...50 mV === (-1999 ; 9999)
- 0001 0...5 V === (-1999 ; 9999)
- 0002 0...10 V === (-1999 ; 9999)
- 0003 0...20 mA === (-1999 ; 9999)
- 0004 4...20 mA === (-1999 ; 9999)

dPnL Affichage position de point

Ce paramètre est actif si l'entrée de tension/courant --- est sélectionnée.

0000

Pas de point

0001

Entre le premier et deuxième chiffre « 0,0 »

0002

Entre le deuxième et troisième chiffre « 0,00 »

0003

Entre le troisième et quatrième chiffre « 0,000 »

wCAL Type de réglage de la valeur d'affichage

Ce paramètre est actif si l'entrée de tension/courant --- est sélectionnée.

0000

Réglage fixe de l'affichage en deux points. La valeur du point bas du réglage d'affichage est de -1999, tandis que la valeur du point haut du réglage d'affichage est de 9999.

0001

L'utilisateur peut effectuer un réglage d'affichage en deux points avec tPoL et tPoH.

0002

L'utilisateur peut effectuer les 16 points définis du réglage d'affichage.

tPoL Réglage d'affichage du point bas (-1999, 9999) unité

Ce paramètre est actif si l'entrée de tension/courant --- est sélectionnée.

tPoH

Réglage d'affichage du point haut (-1999, 9999) unité

Ce paramètre est actif si l'entrée de tension/courant --- est sélectionnée.

Po00

Points de réglage d'affichage (-1999, 9999) unité

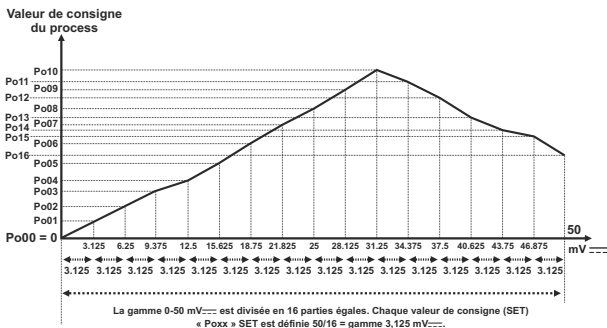
Ce paramètre est actif si l'entrée de tension/courant --- est sélectionnée.

⋮

Po16

Dans un fonctionnement de réglage d'affichage multipoints, l'échelle définie est divisée en 16 points de réglage.

Par exemple : **wASL** est **0000** (0-50 mV ---) .



COEF Valeur de coefficient (1,000 - 9,999)

La valeur du process est multipliée par cette valeur.

Ce paramètre est actif si l'entrée de tension/courant --- est sélectionnée.

UNIT Sélection de l'unité

°C L'unité est le °C

°F L'unité est le °F

U L'unité est la tension. Cette sélection est active si l'entrée de tension/courant --- est sélectionnée.

- Aucune unité. Cette sélection est active si l'entrée de tension/courant --- est sélectionnée.

LOL Valeur minimum de l'échelle d'exploitation
(point bas échelle, point haut échelle) unité

Utilisé pour le calcul de la bande proportionnelle et l'affichage clignote.

UPL Valeur maximum de l'échelle de fonctionnement
(point bas échelle, point haut échelle) unité

Utilisé pour le calcul de la bande proportionnelle et l'affichage clignote.

PUOF Décalage d'affichage de la valeur de process (échelle -
10%, échelle +10%) unité

Cette valeur du paramètre est ajoutée à la valeur de process.

FLT Temps de filtre (0,0 - 900,0) secondes

Définit le temps de filtre pour la valeur d'affichage.

JnC Compensation de soudure froide

Ce paramètre est actif si l'entrée de process sélectionnée est TC.

YES La compensation de soudure froide est active.

NO La compensation de soudure froide n'est pas active.

Échelle : La différence entre le point haut et le point bas du type d'entrée du process. Exemple : Si tCSL = 2 (point bas -200, point haut 900), alors l'échelle est de 1100. Si le type d'entrée est tension/courant, alors l'échelle est la différence entre les paramètres tPoH et tPoL.

out1 ConF : Paramètres du MODULE-1



S'il existe un module EMO-X00 (sortie relais), EMO-X10 (entraîneur SSR) et EMO-X20 (sortie numérique) dans la prise MODULE-1, alors les paramètres suivants sont actifs.

LOU

La fonction de sortie logique du module de sortie MODULE 1

0000 Sortie d'alarme

0001 Sortie de l'alarme de rupture du capteur

0002 La sortie est active lorsque la valeur de process est hors de la bande qui est définie avec la valeur minimum de l'échelle d'exploitation **LOL** et la valeur maximale de l'échelle d'exploitation **UPL**.

ALT

Type d'alarme-1

Type d'alarme du MODULE-1 Ce paramètre est actif, si la fonction de sortie logique 1 est la sortie d'alarme.

0000 Alarme haute de process

0001 Alarme basse de process

ALH

Valeur d'hystérésis de l'alarme-1 (0% de l'échelle, 50% de l'échelle) unité

Ce paramètre est actif, si la fonction de sortie logique 1 est la sortie d'alarme.

AON

Temps de délai d'activation de l'alarme-1 (0, 9999) secondes

Ce paramètre est actif, si la fonction de sortie logique 1 est la sortie d'alarme.

AOF

Temps de délai de désactivation de l'alarme-1 (0, 9998) secondes

Lorsque la valeur est supérieure à 9998, **LECH** apparaît à l'écran.

Cela signifie que la sortie d'enclenchement de l'alarme est sélectionnée. Ce paramètre est actif si la fonction de sortie logique 1 de la sortie d'alarme 1 est la sortie d'alarme.

out1 ConF : Paramètres du MODULE-1



S'il existe un module EMO-X30 (sortie de courant 0/4...20mA ---) dans la prise du MODULE-1, alors le paramètre suivant est actif.

oAL

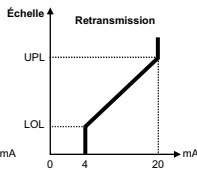
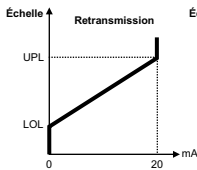
Configuration du module de sortie analogique du MODULE-1

0000

Sortie 0...20 mA---

0001

Sortie 4...20 mA---



out2 ConF : Paramètres du MODULE-2

i S'il existe un module EMO-X00 (sortie relais), EMO-X10 (entraîneur SSR) et EMO-X20 (sortie numérique) dans la prise MODULE-2, alors les paramètres suivants sont actifs.

LOU2 fonction de sortie logique du module de sortie MODULE-2

0000 Sortie d'alarme

0001 Sortie de l'alarme de rupture du capteur

0002 La sortie est active lorsque la valeur de process est hors de la bande qui est définie avec la valeur minimum de l'échelle d'exploitation **LOL** et la valeur maximale de l'échelle d'exploitation **UPL**.

AL22 Type d'alarme-2

Type d'alarme du MODULE-2 Ce paramètre est actif, si la fonction de sortie logique-2 est la sortie d'alarme.

0000 Alarme haute de process

0001 Alarme basse de process

ALH2 Valeur d'hystérésis de l'alarme-2 (0% de l'échelle, 50% de l'échelle) unité

Ce paramètre est actif, si la fonction de sortie logique-2 est la sortie d'alarme.

RON2 Temps de délai d'activation de l'alarme-2 (0, 9999) secondes

Ce paramètre est actif, si la fonction de sortie logique-2 est la sortie d'alarme.

ROF2 Temps de délai de désactivation de l'alarme-2 (0, 9998) secondes

Lorsque la valeur est supérieure à 9998, **LECH** apparaît à l'écran. Cela signifie que la sortie d'enclenchement de l'alarme est sélectionnée. Ce paramètre est actif si la fonction de sortie logique-2 de la sortie d'alarme-2 est la sortie d'alarme.

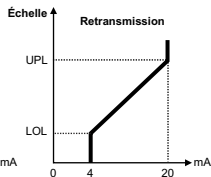
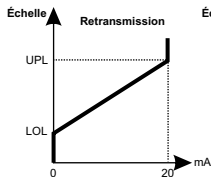
out2 ConF : Paramètres du MODULE-2

i S'il existe un module EMO-X30 (sortie de courant 0/4...20 mA ---) dans la prise du MODULE-2, alors le paramètre suivant est actif.

0AR2

0000 Sortie 0...20 mA---

0001 Sortie 4...20 mA---



LOU3 Fonction de sortie logique de Sortie-3

- 0000** Sortie d'alarme
- 0001** Sortie de l'alarme de rupture du capteur
- 0002** La sortie est active lorsque la valeur de process est hors de la bande qui est définie avec la valeur minimum de l'échelle d'exploitation **LOL** et la valeur maximale de l'échelle d'exploitation **UPL**.

ALT3 Type d'alarme-3

- 0000** Alarme haute de process
- 0001** Alarme basse de process

ALH3 Valeur d'hystérésis de l'alarme-3 (0% de l'échelle, 50% de l'échelle) unité

Ce paramètre est actif, si la fonction de sortie logique-3 est la sortie d'alarme.

ROn3 Temps de délai d'activation de l'alarme-3 (0, 9999) secondes

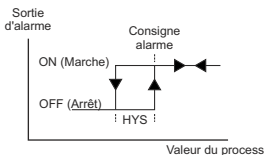
Ce paramètre est actif, si la fonction de sortie logique-3 est la sortie d'alarme.

ROF3 Temps de délai de désactivation de l'alarme-3 (0, 9998) secondes

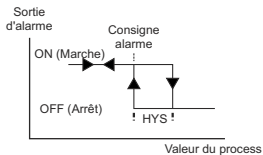
Lorsque la valeur est supérieure à 9998, **LECH** apparaît à l'écran. Cela signifie que la sortie d'enclenchement de l'alarme est sélectionnée. Ce paramètre est actif si la fonction de sortie logique 3 de la sortie d'alarme 3 est la sortie d'alarme.

Types d'alarme

Alarme haute de process



Alarme basse de process



Gen ConF : Paramètres généraux

SU-L Limite basse de la valeur de consigne de l'alarme (**Lol**, **SU-w**) unité

SU-w Limite haute de la valeur de consigne de l'alarme (**SU-L**, **wPl**) unité

Com ConF : Paramètres de configuration de communication série

SAdr Adresse d'accès à la communication (1,247)

Adresse d'accès à la communication de l'appareil L'adresse d'accès à la communication peut être définie de 1 à 247.

bAud Débit en bauds de communication

0000 Débit en bauds 1200

0001 Débit en bauds 2400

0002 Débit en bauds 4800

0003 Débit en bauds 9600

0004 Débit en bauds 19260

PrEt Sélection de la parité de communication

0000 Pas de parité.

0001 Parité impaire.

0002 Parité paire.

StPb Sélection du bit d'arrêt de communication

0000 Bit d'arrêt 1

0001 Bit d'arrêt 2

PASS ConF : Paramètre mot de passe

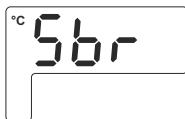
Mots de passe technicien (0,9999)

Le mot de passe est utilisé pour avoir accès aux paramètres technicien. S'il est de **0000**, il n'y a pas de protection par mot de passe pour accéder aux paramètres technicien. **S'il est différent de « 0 » et que l'utilisateur souhaite accéder aux paramètres technicien ;**

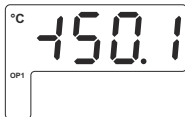
1- Si l'utilisateur ne saisit pas le mot de passe

ECPS correctement : l'appareil passe à l'écran d'opération sans accéder aux paramètres :

Lorsque **ECPS** dans l'écran supérieur et **0000** dans l'affichage inférieur s'affichent, si l'utilisateur appuie sur le bouton SET sans entrer le mot de passe **ECPS** (pour afficher les paramètres) : L'utilisateur peut voir les menus et paramètres utilisateur mais ne peut pas modifier les paramètres.

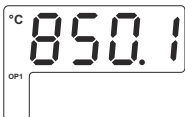


1 - Défaillance du capteur dans les entrées analogiques. Le raccordement du capteur est mauvais ou inexistant.



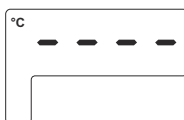
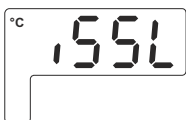
2- Si l'écran supérieur clignote : Si la valeur d'entrée analogique est inférieure à la valeur minimum de l'échelle d'exploitation

\square_{LOL} l'écran supérieur commence à clignoter.



3- Si l'écran supérieur clignote : Si la valeur d'entrée analogique est supérieure à la valeur maximum de l'échelle d'exploitation

\square_{HPL} l'écran supérieur commence à clignoter.



4- Si le mot de passe technicien est différent de « 0 » et que l'utilisateur accède au paramètre en appuyant sur la touche Set sans entrer le mot de passe technicien et veut modifier un paramètre, le message d'avertissement est affiché sur l'écran, comme indiqué à droite. L'appareil ne permet pas de faire des modifications sans entrer correctement le mot de passe.

Installation



Avant de commencer l'installation de ce produit, veuillez lire attentivement le manuel d'utilisateur et les mises en garde ci-dessous.

Dans l'emballage,

- l'appareil (x1)
- Brides de fixation (x2 pièces)
- Manuel d'utilisateur (x1 copie)

Une inspection visuelle de ce produit pour détecter d'éventuels dommages survenus durant la livraison est recommandée avant l'installation. Il est de votre responsabilité de vous assurer que les techniciens mécaniques et électriques qualifiés installent ce produit.

En cas de danger d'accident grave résultant d'une défaillance ou d'un défaut dans l'appareil, mettez le système hors tension et déconnectez le raccordement électrique de l'appareil du système.

L'appareil est normalement fourni sans interrupteur d'alimentation ni fusible.

Veillez à utiliser la tension nominale d'alimentation pour protéger l'appareil contre les dommages et pour éviter toute défaillance.

Gardez l'appareil hors tension jusqu'à ce que tout le câblage soit terminé afin d'éviter tout choc électrique et tout problème dans l'appareil.

Ne tentez jamais de démonter, modifier ou réparer cet appareil. Toute tentative d'ouverture de ce produit peut provoquer une panne, un choc électrique, un incendie.

N'utilisez pas l'appareil dans les atmosphères gazeuses, inflammables ou explosives.

Pendant l'installation mécanique, prenez les précautions nécessaires pour ne pas vous blesser sur les bords irréguliers de l'orifice dans le panneau métallique.

Le montage du produit sur un système doit être fait avec ses pinces de fixation. N'effectuez pas le montage de l'appareil avec la pince de fixation inappropriée. Assurez-vous que le produit ne tombera pas pendant le montage.

Il vous incombe de vérifier que ce produit est toujours installé et utilisé conformément à son manuel d'utilisation.

Garantie

EMKO Elektronik garantit que le matériel livré est exempt de défauts de matériaux et de fabrication. Cette garantie est valide pendant deux ans. La période de garantie commence à partir de la date de livraison. Cette garantie reste valide si les conditions et les responsabilités stipulées dans la garantie et le manuel d'utilisation sont intégralement respectées par le client.

Maintenance

Les opérations de maintenance et de réparation doivent uniquement être confiées à un technicien spécialisé. Coupez l'alimentation de l'appareil avant d'accéder aux composants. Ne nettoyez pas le boîtier avec des solvants à base d'hydrocarbures (essence, trichloréthylène, etc.). L'utilisation de ces solvants peut réduire la fiabilité mécanique du produit. Utilisez un chiffon imbibé d'alcool éthylique ou d'eau pour nettoyer le boîtier en plastique.

Société du fabricant

Informations sur le fabricant :

Emko Elektronik Sanayi ve Ticaret A.Ş.
Demirtaş Organize Sanayi Bölgesi Karanfil Sk. No:6 16369
BURSA /TURQUIE

Téléphone : +90 224 261 1900

Fax : +90 224 261 1912

Informations sur le service de réparation et de maintenance :

Emko Elektronik Sanayi ve Ticaret A.Ş.
Demirtaş Organize Sanayi Bölgesi Karanfil Sk. No:6 16369
BURSA /TURQUIE

Téléphone : +90 224 261 1900

Fax : +90 224 261 1912

Informations de commande

ESM-4400 (48x48 DIN 1/16)
ESM-4900 (96x48 DIN 1/8)
ESM-7700 (Taille DIN 72x72)
ESM-9900 (96x96 DIN 1/4)

A	BC	D	E	/	FG	HI	/	U	V	W	Z
			1	/			/	0	0	0	0

A	Tension d'alimentation
1	100-240 V ~ (-%15;+%10) 50/60 Hz
2	24 V ~ (-%15;+%10) 50/60 Hz 24 V --- (-%15;+%10)
9	Client (Maximum 240 V ~ (-%15;+%10)) 50/60 Hz

BC	Type d'entrée	Échelle
20	Configurable (Tableau-1)	Tableau-1

D	Communication série	Code produit
0	Aucun	
1	RS-232	EMC-400, EMC-700, EMC-900
2	RS-485	EMC-410, EMC-710, EMC-910

E	Sortie-3
1	Sortie relais (5 A @ de 250 V ~ sur charge résistive)

FG	Module-1	Codes de modules
00	Aucun	
01	Module de sortie relais	EMO-400, EMO-700, EMO-900
02	Module de sortie à entraîneur SSR (Maximum 26 mA, 22 V ---)	EMO-410, EMO-710, EMO-910
03	Module de sortie (résistance) numérique (Maximum 40 mA @ 18 V ---)	EMO-420, EMO-720, EMO-920
04	Module de sortie courant (0/4...20 mA --- ou 0...10 V ---)	EMO-430, EMO-730, EMO-930

HI	Module-2	Codes de modules
00	Aucun	
01	Module de sortie relais	EMO-400, EMO-700, EMO-900
02	Module de sortie à entraîneur SSR (Maximum 26 mA, 22 V ---)	EMO-410, EMO-710, EMO-910
03	Module de sortie (résistance) numérique (Maximum 40 mA @ 18 V ---)	EMO-420, EMO-720, EMO-920
04	Module de sortie courant (0/4...20 mA --- ou 0...10 V ---)	EMO-430, EMO-730, EMO-930

Tableau-1

BC	Type d'entrée (TC)	Échelle (°C)	Échelle (°F)
21	L, Fe Const DIN43710	-100°C, 850°C	-148°F, 1562°F
22	L, Fe Const DIN43710	-100,0°C, 850,0°C	-148,0°F, 999,9°F
23	J, Fe CuNi IEC584.1(ITS90)	-200°C, 900°C	-328°F, 1652°F
24	J, Fe CuNi IEC584.1(ITS90)	-199,9°C, 900,0°C	-199,9°F, 999,9°F
25	K, NiCr Ni IEC584.1(ITS90)	-200°C, 1300°C	-328°F, 2372°F
26	K, NiCr Ni IEC584.1(ITS90)	-199,9°C, 999,9°C	-199,9°F, 999,9°F
27	R, Pt13%Rh Pt IEC584.1(ITS90)	0°C, 1700°C	32°F, 3092°F
28	S, Pt10%Rh Pt IEC584.1(ITS90)	0°C, 1700°C	32°F, 3092°F
29	T, Cu CuNi IEC584.1(ITS90)	-200°C, 400°C	-328°F, 752°F
30	T, Cu CuNi IEC584.1(ITS90)	-199,9°C, 400,0°C	-199,9°F, 752,0°F
31	B, Pt30%Rh Pt6%Rh IEC584.1(ITS90)	44°C, 1800°C	111°F, 3272°F
32	B, Pt30%Rh Pt6%Rh IEC584.1(ITS90)	44,0°C, 999,9°C	111,0°F, 999,9°F
33	E, NiCr CuNi IEC584.1(ITS90)	-150°C, 700°C	-238°F, 1292°F
34	E, NiCr CuNi IEC584.1(ITS90)	-150,0°C, 700,0°C	-199,9°F, 999,9°F
35	N, Nicrosil Nilil IEC584.1(ITS90)	-200°C, 1300°C	-328°F, 2372°F
36	N, Nicrosil Nilil IEC584.1(ITS90)	-199,9°C, 999,9°C	-199,9°F, 999,9°F
37	C, (ITS90)	0°C, 2300°C	32°F, 3261°F
38	C, (ITS90)	0,0°C, 999,9°C	32,0°F, 999,9°F
BC	Type d'entrée (RTD)	Échelle (°C)	Échelle (°F)
39	PT 100, IEC751(ITS90)	-200°C, 650°C	-328°F, 1202°F
40	PT 100, IEC751(ITS90)	-199,9°C, 650,0°C	-199,9°F, 999,9°F

BC	Type d'entrée (tension et courant ---)	Échelle
41	0...50 mV ---	-1999,9999
42	0...5 V ---	-1999,9999
43	0...10 V ---	-1999,9999
44	0...20 mA ---	-1999,9999
45	4...20 mA ---	-1999,9999



Votre partenaire technologique

Nous vous remercions d'avoir choisi les produits Emko Elektronik. Vous pouvez télécharger le manuel d'utilisation détaillé sur notre site internet.

www.emkoelektronik.com.tr

UNIDADES DEL INDICADOR DE PROCESO ESM-XX00



CE EAC

ESM-4400, ESM-7700, ESM-9900, ESM-4900

Unidades de la pantalla de proceso del sistema del módulo de salida inteligente de entrada universal

- Pantalla de 4 dígitos para el valor de proceso (PV)
- Entrada de proceso universal (TC, RTD, mV ---, V ---, mA ---)
- Calibración de dos puntos o multipunto para entradas de voltaje y de corriente
- Sistema de módulo de salida inteligente
- Funciones de alarma programables
- Retransmisión o control de proceso con módulo de salida de corriente de 0/4...20 mA
- Comunicación de serie de RS-232 (estándar) o RS-485 (opcional) con el protocolo Modbus RTU

ESPECIFICACIONES**ENTRADA DE PROCESO**

Entrada universal: TC, RTD, Tensión/Corriente

Termopar(TC): L(DIN 43710), J, K, R, S, T, B, E y N (IEC584.1) (ITS90), C (ITS90)

Termorresistencia (RTD): PT-100 (IEC751)(ITS90)

=== Entrada: mV, V, mA

Intervalo de medición: Consulte en la Tabla-1 la selección del tipo de entrada y la escala.

Precisión: $\pm 0,25\%$ de escala completa para el termopar, termorresistencia, entrada de mV, V y mA.

Compensación de junta fría: automáticamente $\pm 0,1^{\circ}\text{C}/1^{\circ}\text{C}$

Compensación de línea: 10 Ohm como máximo

Protección contra roturas del sensor: Mejorada

Ciclo de muestreo: 3 muestras por segundo

Filtro de entrada: de 0,0 a 900,0 segundos

SALIDA

Salida de relé estándar: 5 A @ 250 V (en la carga resistiva)

Módulos de salida: el usuario puede introducir 2 módulos de salida en el dispositivo.

-Módulo de salida del relé

-Módulo de salida de SSR (Máx. 26 mA , Máx. 22 V)

-Módulo de salida digital (Transistor) (Máx. 40 mA @ 18 V===)

-Módulo de salida de corriente de 0/4 a 20 mA

FUENTE DE ALIMENTACIÓN

Tensión de alimentación:

100-240 V \sim 50/60 Hz (-%15;+%10) -6 VA

24 V \sim 50/60 Hz (-%15; +%10) -6 VA

24 V === (-%15; +%10) -6 W

(Se debe determinar en el pedido).

PANTALLA

Pantalla de proceso:

ESM-4400: Pantalla LED 10,1 mm roja de 4 dígitos

ESM-4900: Pantalla LED 20,3 mm roja de 4 dígitos

ESM-7700: Pantalla LED 13,2 mm roja de 4 dígitos

ESM-9900: Pantalla LED de 19 mm roja de 4 dígitos

LED Göstergeler: LED de $^{\circ}\text{C}$ / $^{\circ}\text{F}$ / V, OP1/2/3 (Estado de salida).

CALIFICACIONES AMBIENTALES y ESPECIFICACIONES FÍSICAS**Temperatura de funcionamiento :** De 0 a 50 °C**Humedad:** 0-90 % de humedad relativa (sin condensación)**Clase de Protección:** IP65 en la parte delantera, IP20 en la parte trasera**Montaje:** Montaje del recinto de tipo-1**Instalación:** Instalación fija Categoría II**Categoría de sobretensión:** II**Grado de contaminación:** II, oficina o lugar de trabajo, sin contaminación conductiva**Peso:**

ESM-4400: 210 g

ESM-4900: 260 g

ESM-7700: 270 g

ESM-9900: 360 g

Dimensiones / encastre del panel:

ESM-4400: (48 x 48 mm, Profundidad: 116 mm) / (46 x 46 mm)

ESM-4900: (96 x 48 mm, Profundidad: 86,5 mm) / (92 x 46 mm)

ESM-7700: (72 x 72 mm, Profundidad: 87,5 mm) / (69 x 69 mm)

ESM-9900: (96 x 96 mm, Profundidad: 87,5 mm) / (92 x 92 mm)

Distancia mínima entre los centros de encastre del panel:

ESM-4400: X = 65 mm, Y = 65 mm

ESM-4900: X = 129 mm, Y = 65 mm

ESM-7700: X = 97 mm, Y = 97 mm

ESM-9900: X = 129 mm, Y = 129 mm



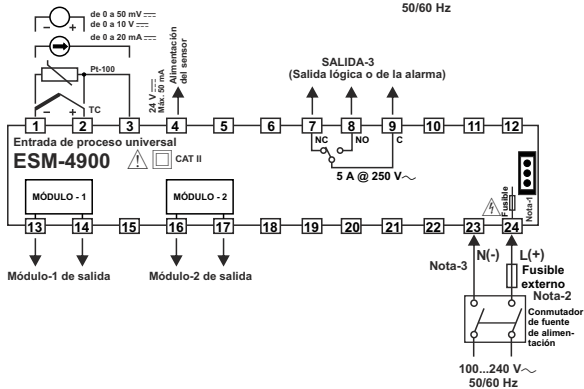
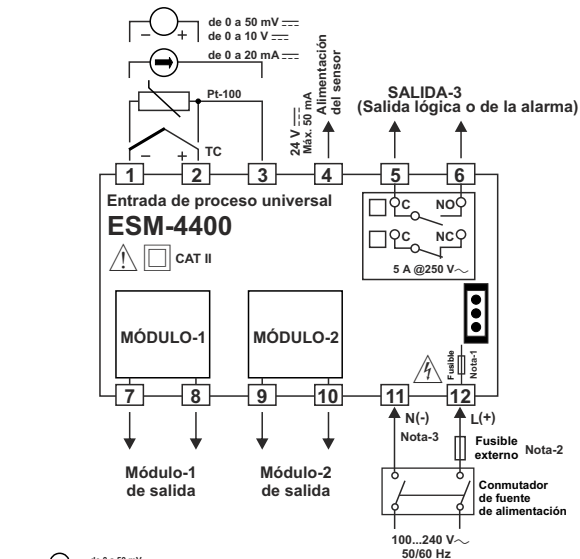
Este símbolo se utiliza para las advertencias de seguridad. El usuario debe prestar atención a estas advertencias.

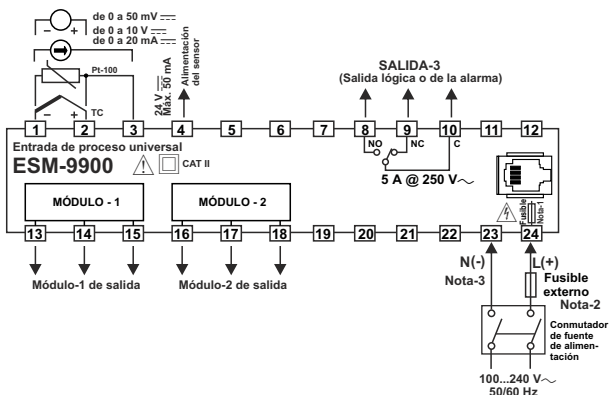
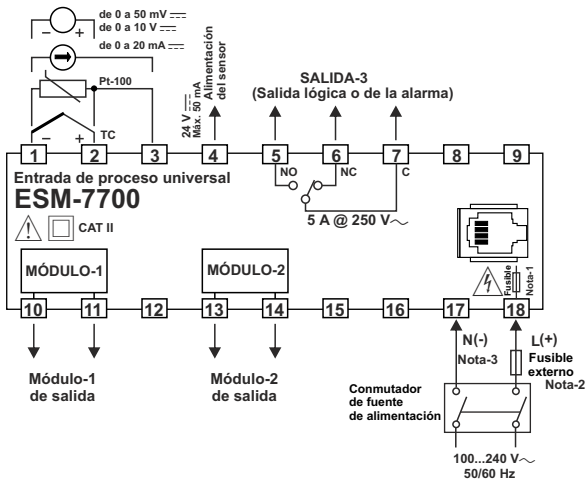


Este símbolo se utiliza para determinar las situaciones peligrosas como resultado de una descarga eléctrica. El usuario debe prestar atención a estas advertencias indudablemente.



Este símbolo se utiliza para determinar las notas importantes acerca de las funciones y el uso del dispositivo.





Nota-1 : hay una resistencia ignífuga en el fusible interno.

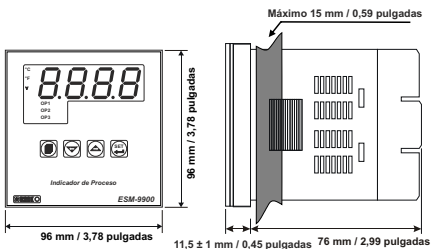
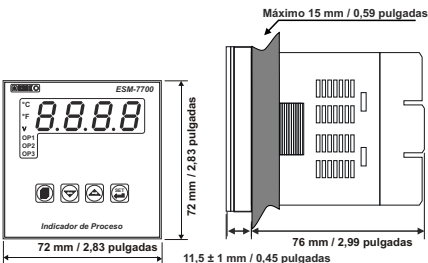
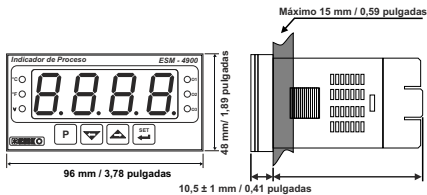
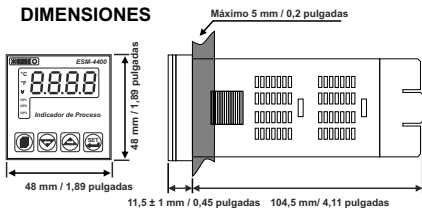
Nota-2 : se recomienda el fusible externo.

1 A T para la fuente de alimentación de 100...240 V o 24 V

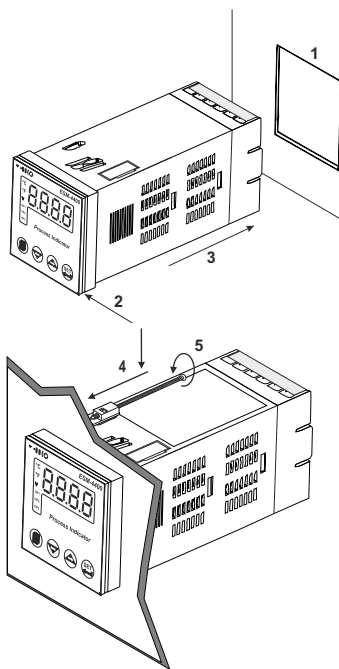
1A T para la fuente de alimentación de 24 V \equiv

Nota-3 : "L," es (+), "N" es (-) para la tensión de alimentación de 24 V \equiv

DIMENSIONES



MONTAJE DEL PANEL



1-Antes de montar el dispositivo en su panel, asegúrese de que el encastre es del tamaño adecuado.

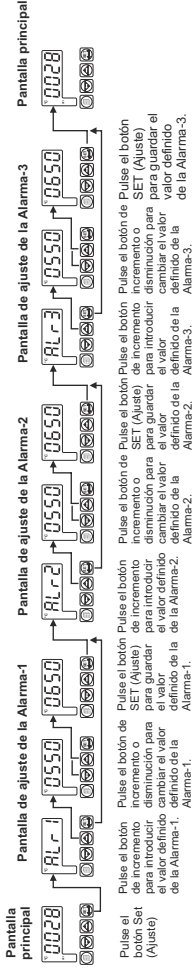
2-Compruebe la posición del tapón del panel frontal.

3-Inserte el dispositivo a través del encastre. Si las bridas de montaje se encuentran en la unidad, extráigaslas antes de introducir la unidad en el panel.

4-Inserte la unidad en el encastre del panel por la parte delantera.

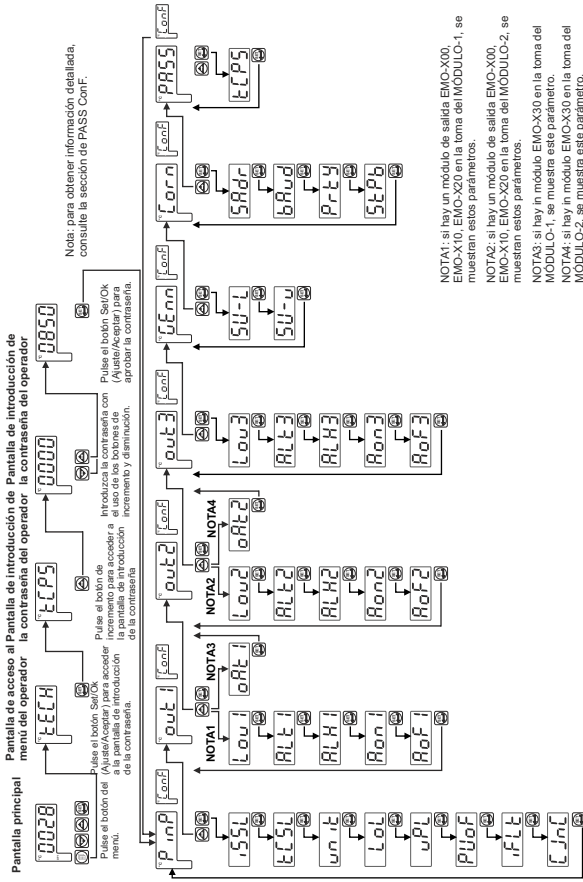
5-Inserte las bridas de montaje en los orificios localizados en la parte superior e inferior del dispositivo y atornille los tornillos de fijación hasta inmovilizar completamente el panel.

Acceder a los valores definidos y cambiarlos



Nota: el usuario no puede salir de la sección del valor definido sin guardar los valores pulsando el botón . Si no se produce ninguna operación durante 120 segundos, el dispositivo sale automáticamente de la sección de Valor definido.

Diagrama de acceso sencillo para los parámetros del programa



55L Tipo de entrada de proceso

- 0000 Selección del tipo de entrada TC
- 0001 Selección del tipo de entrada RTD
- 0002 --- Selección del tipo de entrada de tensión/corriente.

TC5L Selección de entrada TC

Este parámetro se activa si se selecciona el tipo de entrada TC.

- 0000 L (-100°C; 850°C) o (-148°F; 1562°F)
- 0001 L (-100,0°C; 850,0°C) o (-148,0°F; 999,9°F)
- 0002 J (-200°C; 900°C) o (-328°F; 1652°F)
- 0003 J (-199,9°C; 900,0°C) o (-199,9°F; 999,9°F)
- 0004 K (-200°C; 1300°C) o (-328°F; 2372°F)
- 0005 K (-199,9°C; 999,9°C) o (-199,9°F; 999,9°F)
- 0006 R (0°C; 1700°C) o (32°F; 3092°F)
- 0007 R (0,0°C; 999,9°C) o (32,0°F; 999,9°F)
- 0008 S (0°C; 1700°C) o (32°F; 3092°F)
- 0009 S (0,0°C; 999,9°C) o (32,0°F; 999,9°F)
- 0010 T (-200°C; 400°C) o (-328°F; 752°F)
- 0011 T (-199,9°C; 400,0°C) o (-199,9°F; 752,0°F)
- 0012 B (44°C; 1800°C) o (111°F; 3272°F)
- 0013 B (44,0°C; 999,9°C) o (111,0°F; 999,9°F)
- 0014 E (-150°C; 700°C) o (-238°F; 1292°F)
- 0015 E (-150,0°C; 700,0°C) o (-199,9°F; 999,9°F)
- 0016 N (-200°C; 1300°C) o (-328°F; 2372°F)
- 0017 N (-199,9°C; 999,9°C) o (-199,9°F; 999,9°F)
- 0018 C (0°C; 2300°C) o (32°F; 3261°F)
- 0019 C (0,0°C; 999,9°C) o (32,0°F; 999,9°F)

rTDS Selección de entrada RTD

Este parámetro se activa si se selecciona la entrada RTD.

- 0000 PT-100 (-200°C; 650°C) o (-328°F; 1202°F)
- 0001 PT-100 (-199,9°C; 650,0°C) o (-199,9°F; 999,9°F)

VR5L --- Selección de entrada de tensión/corriente.

Este parámetro se activa si se selecciona la ---Tensión / Corriente.

- 0000 de 0 a 50 mV --- (-1999; 9999)
- 0001 de 0 a 5 V --- (-1999; 9999)
- 0002 de 0 a 10 V --- (-1999; 9999)
- 0003 de 0 a 20 mA --- (-1999; 9999)
- 0004 de 4 a 20 mA --- (-1999; 9999)

dPnt

Posición del punto de la pantalla

Este parámetro se activa si se selecciona la entrada de ---
Tensión / Corriente.

0000

Sin punto

0001

Entre el primer y el segundo dígito "0,0"

0002

Entre el segundo y el tercer dígito "0,00"

0003

Entre el tercer y el cuarto dígito "0,000"

uCAL

Tipo de ajuste del valor de la pantalla

Este parámetro se activa si se selecciona la entrada de ---
Tensión / Corriente.

0000

Ajuste de la pantalla del punto dual fijo. El valor del punto bajo de ajuste de la pantalla se fija en -1999, el valor del punto alto de ajuste de la pantalla se fija en 9999.

0001

El usuario puede realizar el ajuste de pantalla de punto dual con tPoL y tPoH.

0002

El usuario puede realizar 16 puntos de ajuste de la pantalla definidos.

tPoL

Unidad de ajuste de la pantalla de punto bajo (-1999, 9999)

Este parámetro se activa si se selecciona la entrada de ---
Tensión / Corriente.

tPoH

Unidad de ajuste de la pantalla de punto alto (-1999, 9999)

Este parámetro se activa si se selecciona la entrada de ---
Tensión / Corriente.

Po00

Unidad de puntos de ajuste de la pantalla (-1999, 9999) - Este

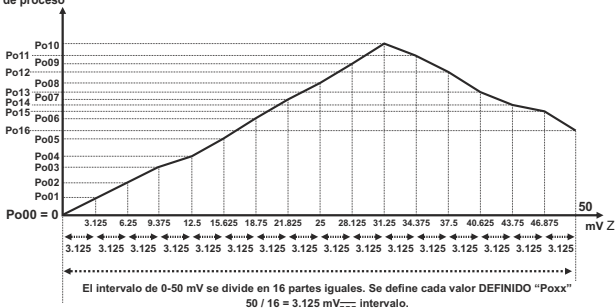
parámetro se activa si se selecciona la entrada de ---

Po16

Tensión/Corriente. En el proceso de ajuste de la pantalla de puntos múltiples, la escala definida se divide en 16 puntos de ajuste.

Valor definido de proceso

Por ejemplo: uRSL es 0000 (0-50 mV---) .



[COEF] Valor del coeficiente (1,000; 9,9999)

El valor de proceso se multiplica por este valor.

Este parámetro se activa si se selecciona la entrada de \equiv Tensión / Corriente.

[UNIT] Selección de la unidad

°C La unidad es °C

°F La unidad es °F

U La unidad es la tensión. Esta selección se activa si se selecciona la entrada de \equiv Tensión / Corriente.

- Sin unidad. Esta selección se activa si se selecciona la entrada de \equiv Tensión / Corriente.

[LOL] Unidad del valor mínimo de la escala de funcionamiento (punto bajo de la escala, punto alto de la escala)

Se utiliza para el cálculo de la banda proporcional y el parpadeo de la pantalla.

[UPL] Unidad del valor máximo de la escala de funcionamiento (punto bajo de la escala, punto alto de la escala)

Se utiliza para el cálculo de la banda proporcional y el parpadeo de la pantalla.

[PUOF] Unidad de compensación de la pantalla para el valor de proceso (Escala -10 %, Escala +10 %)

Este valor de parámetro se añade al valor de proceso.

[FLT] Tiempo de filtrado (0,0; 900,0) en segundos

Define el tiempo de filtrado para el valor de la pantalla.

[JN] Compensación de junta fría

Este parámetro se activa si se selecciona la entrada de proceso, entrada TC.

YES La compensación de junta fría está activada.

NO La compensación de junta fría no está activada.

Escala: La diferencia entre el punto alto y el punto bajo del tipo de entrada de proceso. Ejemplo: Si tCSL = 2 (el punto bajo es -200 y el punto alto es 900), entonces, la escala es de 1100. Si el tipo de entrada es Tensión/Corriente, entonces la escala es la diferencia entre los parámetros tPOH y tPOL.

out1 ConF: parámetros del MÓDULO-1

i Si hay un módulo EMO-X00 (salida de relé), EMO-X10 (unidad de control de SSR) y EMO-X20 (salida digital) en la toma del MÓDULO-1, entonces se activan los siguientes parámetros.

LOU1 Función de la salida lógica del módulo de salida del MÓDULO-1

0000 Salida de alarma

0001 Salida de la alarma de rotura del sensor

0002 La salida se activa cuando el valor de proceso está fuera de la banda que se define con el valor mínimo de la escala de funcionamiento **LOL** y el valor máximo de la escala de funcionamiento **UPL**.

AL1 Tipo de Alarma-1

Tipo de alarma del MÓDULO-1. Este parámetro se activa si la función de salida Lógica-1 es la salida de la alarma.

0000 Alarma alta de proceso

0001 Alarma baja de proceso

ALH1 Unidad del valor de histéresis de la Alarma-1 (0 % de la escala, 50 % de la escala) - Este parámetro se activa si la función de salida Lógica-1 es la salida de la alarma.

ROn1 Tiempo de espera de activación de la alarma (0, 9999) en segundos - Este parámetro se activa si la función de salida Lógica-1 es la salida de la alarma.

ROF1 Tiempo de espera de desactivación de la alarma (0, 9998) en segundos - Cuando el valor es superior a 9998, **LECH** se visualiza en la pantalla. Quiere decir que se selecciona la salida del bloqueo de la alarma. Este parámetro se activa si la función de salida lógica-1 de la salida de la Alarma-1 es una salida de alarma.

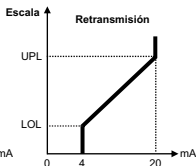
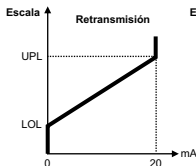
out1 ConF: parámetros del MÓDULO-1

i Si hay un módulo EMO-X30 (salida de corriente de 0/4...20 mA ---) en la toma del MÓDULO-1, entonces se activa el siguiente parámetro.

oAL1 Configuración del módulo de salida analógico del MÓDULO-1

0000 Salida de 0...20 mA---

0001 Salida de 4...20 mA---



out2 ConF: parámetros del MÓDULO-2



Si hay un módulo EMO-X00 (salida de relé), EMO-X10 (unidad de control de SSR) y EMO-X20 (salida digital) en la toma del MÓDULO-2, entonces se activan los siguientes parámetros.

LOU2

Función de la salida lógica del módulo de salida del MÓDULO-2

0000

Salida de alarma

0001

Salida de la alarma de rotura del sensor

0002

La salida se activa cuando el valor de proceso está fuera de la banda que se define con el valor mínimo de la escala de funcionamiento [LOL] y el valor máximo de la escala de funcionamiento [UPL].

AL22

Tipo de Alarma-2

Tipo de alarma del MÓDULO-2. Este parámetro se activa si la función de salida Lógica-2 es la salida de la alarma.

0000

Alarma alta de proceso

0001

Alarma baja de proceso

ALH2

Unidad del valor de histéresis de la Alarma-2 (0 % de la escala, 50 % de la escala) - Este parámetro se activa si la función de salida Lógica-2 es la salida de la alarma.

ROn2

Tiempo de espera de activación de la Alarma-2 (0, 9999) en segundos - Este parámetro se activa si la función de salida Lógica-2 es la salida de la alarma.

ROF2

Tiempo de espera de desactivación de la Alarma-2

(0, 9998) en segundos - Cuando el valor es superior a 9998, [LEL] se visualiza en la pantalla. Quiere decir que se selecciona la salida del bloqueo de la alarma. Este parámetro se activa si la función de salida lógica-2 de la salida de la Alarma-2 es una salida de alarma.

out2 ConF: parámetros del MÓDULO-2



Si hay un módulo EMO-X30 (salida de corriente de 0/4...20 mA ---) en la toma del MÓDULO-2, entonces se activa el siguiente parámetro.

oAL2

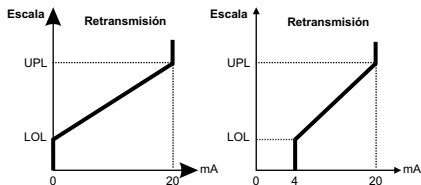
Configuración del módulo de salida analógico del MÓDULO-2

0000

Salida de 0...20---

0001

Salida de 4...20---



out3 ConF: parámetros del MÓDULO-3

LOW3 Función de salida lógica de la Salida-3

- 0000** Salida de alarma
- 0001** Salida de la alarma de rotura del sensor
- 0002** La salida se activa cuando el valor de proceso está fuera de la banda que se define con el valor mínimo de la escala de funcionamiento **LOW** y el valor máximo de la escala de funcionamiento **UPL** .

AL3 Tipo de Alarma-3

- 0000** Alarma alta de proceso
- 0001** Alarma baja de proceso

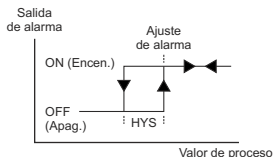
ALH3 Unidad del valor de histéresis de la Alarma-3 (0 % de la escala, 50 % de la escala) - Este parámetro se activa si la función de salida Lógica-3 es la salida de la alarma.

ROn3 Tiempo de espera de activación de la Alarma-3 (0, 9999) en segundos - Este parámetro se activa si la función de salida Lógica-3 es la salida de la alarma.

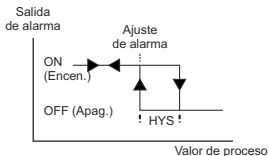
ROF3 Tiempo de espera de desactivación de la Alarma-3 (0, 9998) en segundos - Cuando el valor es superior a 9998, **LECH** se visualiza en la pantalla. Quiere decir que se selecciona la salida del bloqueo de la alarma. Este parámetro se activa si la función de salida lógica-3 de la salida de la Alarma-3 es una salida de alarma.

Tipos de alarma

Alarma alta del proceso



Alarma baja de proceso



Gen ConF: Parámetros generales

SU-L Unidad de límite bajo del valor definido de la alarma (**Lol**, **SU-u**)

SU-u Unidad de límite alto del valor definido de la alarma (**SU-L**, **uPL**)

Com ConF: Parámetros de configuración de la comunicación de serie

SAdr Dirección de acceso de comunicación (1, 247)

Dirección de acceso de comunicación del dispositivo. La dirección de acceso de comunicación se puede ajustar de 1 a 247.

bAud Índice del baudio de comunicación

0000 Índice de baudio 1200.

0001 Índice de baudio 2400.

0002 Índice de baudio 4800.

0003 Índice de baudio 9600.

0004 Índice de baudio 19200.

Prty Selección de igualdad para la comunicación

0000 Sin igualdad.

0001 Igualdad diferente.

0002 Igualdad regular.

StPb Detener la selección de bit para la comunicación

0000 1 bit de parada

0001 2 bit de parada

PASS ConF: Parámetro de contraseña

LCPS Contraseñas del operador (0, 9999)

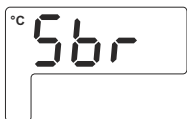
Se utiliza para acceder a los parámetros del operador.

Si es **0000**; no hay protección de contraseña al acceder a los parámetros del operador.

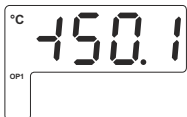
Si es diferente a "0" y el usuario quiere acceder a los parámetros del operador;

1- Si el usuario no introduce la contraseña **LCPS** correctamente: vuelve a la pantalla de funcionamiento sin acceder a los parámetros:

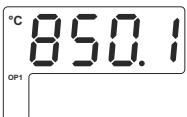
Cuando se visualice **LCPS** en la pantalla superior y **0000** en la pantalla inferior, si el usuario pulsa el botón SET (AJUSTE) sin introducir la contraseña **LCPS** (para observar los parámetros): El operador puede ver los menús y los parámetros del operador pero no puede cambiar los parámetros.



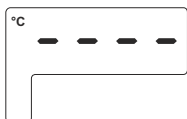
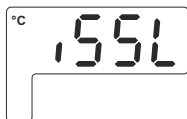
1 - Fallo del sensor en las entradas analógicas. La conexión del sensor es incorrecta o no hay ninguna conexión del sensor.



2- Si la pantalla superior parpadea: Si el valor de entrada analógica es inferior al valor mínimo de la escala de funcionamiento $\boxed{L o L}$, la pantalla superior empieza a parpadear.



3- Si la pantalla superior parpadea: Si el valor de entrada analógica es superior al valor máximo de la escala de funcionamiento $\boxed{u P L}$, la pantalla superior empieza a parpadear.



4- Si la contraseña del operador es diferente a "0" y el usuario accede al parámetro a través del botón Set (Ajuste) sin introducir la contraseña del operador y quiere cambiar un parámetro, el mensaje de advertencia aparece e la pantalla, según se muestra a la derecha. El dispositivo no permite realizar ningún cambio sin introducir la contraseña correctamente.

Instalación



Antes de iniciar la instalación de este producto, lea atentamente el manual de instrucciones y las advertencias que se indican a continuación.

En el paquete se incluye,

- Una unidad
- Dos bridas de montaje
- Un manual de instrucciones

Se recomienda una inspección visual de este producto antes de instalarse para detectar posibles daños ocasionados durante el envío. Es su responsabilidad asegurarse de que este producto sea instalado por técnicos mecánicos y eléctricos cualificados.

Si hay peligro de accidentes graves resultantes de un fallo o defecto en esta unidad, apague el sistema y retire la conexión eléctrica del dispositivo del sistema.

La unidad se suele suministrar sin un conmutador de fuente de alimentación ni un fusible. Se necesita el uso de un fusible o un conmutador de alimentación.

Asegúrese de utilizar la tensión de alimentación nominal para proteger la unidad contra daños y evitar fallos. Mantenga la alimentación apagada hasta finalizar todo el cableado para evitar descargas eléctricas y problemas con la unidad.

No intente nunca desmontar, modificar ni reparar esta unidad. Las alteraciones de la unidad pueden dar lugar a un funcionamiento incorrecto, descargas eléctricas o incendios.

No se debe usar la unidad en atmósferas gaseosas explosivas o inflamables.

Al colocar el equipo en el orificio del panel de metal durante la instalación mecánica, algunas rebabas de metal pueden provocar daños en las manos, por ello debe tener cuidado.

El montaje del producto en un sistema se debe realizar con sus bridas de fijación. No realice el montaje del dispositivo con una brida de fijación inadecuada. Asegúrese de que el dispositivo no se caiga al realizar el montaje.

Es responsabilidad suya si este equipo se utiliza de una forma no especificada en este manual de instrucciones.

Garantía

EMKO Elektronik garantiza que el equipo suministrado no presenta ningún defecto en el material ni en la fabricación. Esta garantía tiene una duración de dos años. Este periodo de garantía comienza a partir de la fecha de entrega. Esta garantía es vigente si el cliente desempeña completamente las tareas y responsabilidades que se determinan en el documento de la garantía y en el manual de instrucciones.

Mantenimiento

Las reparaciones solamente las debe realizar el personal formado y especializado. Corte la corriente del dispositivo antes de acceder a las piezas internas. No limpie la carcasa con disolventes con base de hidrocarburo (gasolina, tricloroetileno, etc.). El uso de dichos disolventes puede reducir la fiabilidad mecánica del dispositivo. Utilice un paño humedecido en alcohol etílico o agua para limpiar la carcasa de plástico externa.

Empresa fabricante

Información del fabricante:

Emko Elektronik Sanayi ve Ticaret A.Ş.
Demirtaş Organize Sanayi Bölgesi Karanfil Sk. No:6 16369
BURSA/TURQUÍA

Teléfono: +90 224 261 1900
Fax : +90 224 261 1912

Información de reparación y mantenimiento:

Emko Elektronik Sanayi ve Ticaret A.Ş.
Demirtaş Organize Sanayi Bölgesi Karanfil Sk. No:6 16369
BURSA/TURQUÍA

Teléfono: +90 224 261 1900
Fax : +90 224 261 1912

ESM-4400 (48x48 DIN 1/16)

ESM-4900 (96x48 DIN 1/8)

ESM-7700 (Tamaño 72x72 DIN)

ESM-9900 (96x96 DIN 1/4)

A	BC	D	E	/	FG	HI	/	U	V	W	Z
			1	/			/	0	0	0	0

A	Tensión de alimentación
1	100-240 V ~ (-%15; +%10) 50/60 Hz
2	24 V ~ (-%15; +%10) 50/60 Hz 24 V --- (-%15; +%10)
9	Cliente (Máximo 240 V ~ (-%15; +%10)) 50/60 Hz

BC	Tipo de Entrada	Escala
20	Configurable (Tabla-1)	Tabla-1

D	Comunicación de serie	Código de producto
0	Ninguna	
1	RS-232	EMC-400, EMC-700, EMC-900
2	RS-485	EMC-410, EMC-710, EMC-910

E	Salida-3
1	Salida de relé (5 A @ 250 V ~ en la carga resistiva)

FG	Módulo-1	Códigos de módulos
00	Ninguno	
01	Módulo de salida del relé	EMO-400, EMO-700, EMO-900
02	Módulo de salida de la unidad de control del SSR (Máximo 26 mA, 22 V ---)	EMO-410, EMO-710, EMO-910
03	Módulo de salida digital (transistor) (Máximo 40 mA @ 18 V ---)	EMO-420, EMO-720, EMO-920
04	Módulo de salida de corriente (0/4...20 mA --- o 0...10 V ---)	EMO-430, EMO-730, EMO-930

HI	Módulo-2	Códigos de módulos
00	Ninguno	
01	Módulo de salida del relé	EMO-400, EMO-700, EMO-900
02	Módulo de salida de la unidad de control del SSR (Máximo 26 mA, 22 V ---)	EMO-410, EMO-710, EMO-910
03	Módulo de salida digital (transistor) (Máximo 40 mA @ 18 V ---)	EMO-420, EMO-720, EMO-920
04	Módulo de salida de corriente (0/4...20 mA --- o 0...10 V ---)	EMO-430, EMO-730, EMO-930

Tabla-1

BC	Tipo de entrada (TC)	Escala (°C)	Escala(°F)
21	L, Fe Const DIN43710	-100°C, 850°C	-148°F, 1562°F
22	L, Fe Const DIN43710	-100,0°C; 850,0°C	-148,0°F; 999,9°F
23	J, Fe CuNi IEC584.1(ITS90)	-200°C, 900°C	-328°F, 1652°F
24	J, Fe CuNi IEC584.1(ITS90)	-199,9°C; 900,0°C	-199,9°F; 999,9°F
25	K, NiCr Ni IEC584.1(ITS90)	-200°C, 1300°C	-328°F, 2372°F
26	K, NiCr Ni IEC584.1(ITS90)	-199,9°C; 999,9°C	-199,9°F; 999,9°F
27	R, Pt13%Rh Pt IEC584.1(ITS90)	0°C, 1700°C	32°F, 3092°F
28	S, Pt10%Rh Pt IEC584.1(ITS90)	0°C, 1700°C	32°F, 3092°F
29	T, Cu CuNi IEC584.1(ITS90)	-200°C, 400°C	-328°F, 752°F
30	T, Cu CuNi IEC584.1(ITS90)	-199,9°C; 400,0°C	-199,9°F; 752,0°F
31	B, Pt30%Rh Pt6%Rh IEC584.1(ITS90)	44°C, 1800°C	111°F, 3272°F
32	B, Pt30%Rh Pt6%Rh IEC584.1(ITS90)	44,0°C ; 999,9°C	111,0°F, 999,9°F
33	E, NiCr CuNi IEC584.1(ITS90)	-150°C, 700°C	-238°F, 1292°F
34	E, NiCr CuNi IEC584.1(ITS90)	-150,0°C; 700,0°C	-199,9°F, 999,9°F
35	N, Nicrosil Nisil IEC584.1(ITS90)	-200°C, 1300°C	-328°F, 2372°F
36	N, Nicrosil Nisil IEC584.1(ITS90)	-199,9°C; 999,9°C	-199,9°F, 999,9°F
37	C, (ITS90)	0°C, 2300°C	32°F, 3261°F
38	C, (ITS90)	0,0°C; 999,9°C	32,0°F; 999,9°F
BC	Tipo de entrada (RTD)	Escala (°C)	Escala(°F)
39	PT 100, IEC751(ITS90)	-200°C, 650°C	-328°F, 1202°F
40	PT 100, IEC751(ITS90)	-199,9°C, 650,0°C	-199,9°F, 999,9°F
BC	Tipo de entrada (--- Tensión y Corriente)	Escala	
41	0...50 mV ---	-1999, 9999	
42	0...5 V ---	-1999, 9999	
43	0...10 V ---	-1999, 9999	
44	0...20 mA ---	-1999, 9999	
45	4...20 mA ---	-1999, 9999	



Su Socio Tecnológico

Muchas gracias por haber elegido productos
Emko Elektronik, visite nuestra página web
para descargar el manual de usuario detallado.

www.emkoelektronik.com.tr