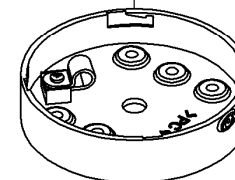
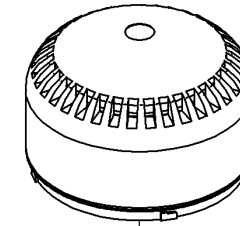
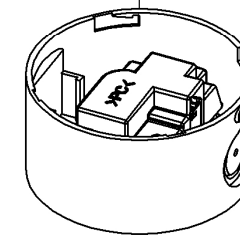


INSTALLATIONS- UND BEDIENTUNGSANLEITUNG -
INSTALLATION AND APPLICATION INSTRUCTIONS - INSTRUCTIONS D'INSTALLATION ET D'UTILISATION -
INSTRUCCIONES DE INSTALACIÓN Y EMPLEO - ISTRUZIONI DI INSTALLAZIONE E UTILIZZO

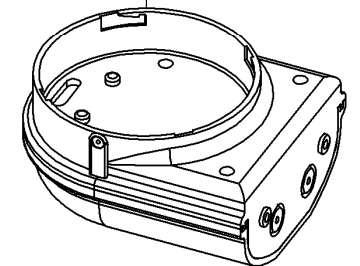
MSG 8921
MHZ 8931
MHZ 8932
MHZ 8933
MHZ 8934



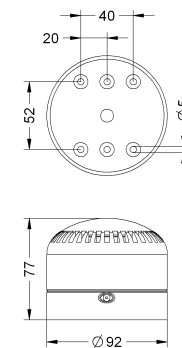
BMF 8911



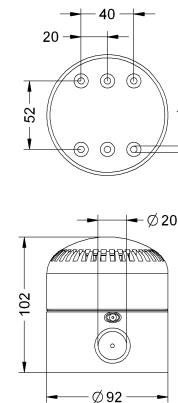
BMT 8912
BMT 8914



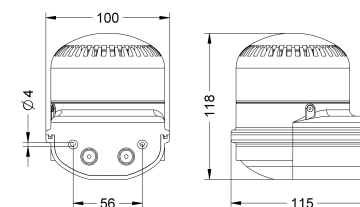
BMW 8913
BMW 8915



MSG 8921 + BMF 8911
MHZ 893X + BMF 8911



MSG 8921 + BMT 8912
MHZ 893X + BMT 8912
MSG 8921 + BMT 8914
MHZ 893X + BMT 8914



MSG 8921 + BMW 8913
MHZ 893X + BMW 8913
MSG 8921 + BMW 8915
MHZ 893X + BMW 8915

MSG 8921 + BMF 8911
MSG 8921 + BMT 8912
MSG 8921 + BMW 8913

V	12÷24	
V	12÷24	
mA	240	280
dB(A)1m	87÷105	

MHZ 893X + BMF 8911
MHZ 893X + BMT 8912
MHZ 893X + BMW 8913

V	12÷24	
V	12÷24	
mA	380	460
dB(A)1m	87÷105	

MSG 8921 + BMT 8914
MSG 8921 + BMW 8915

V	90÷240	
mA	60	35
dB(A)1m	87÷105	

MHZ 893X + BMT 8914
MHZ 893X + BMW 8915

V	90÷240	
mA	100	60
dB(A)1m	87÷105	

- DIE INSTALLATION IST VON EINER ELEKTRO- FACHKRAFT VORZUNEHMEN - INSTALLATION MUST BE CARRIED OUT BY QUALIFIED PERSONNEL -
- L'INSTALLATION DOIT ETRE EFFECTUEE PAR UN PERSONNEL SPECIALISE - LA INSTALACION DEBERA REALIZARSE POR PERSONAL ESPECIALIZADO -
- L'INSTALLAZIONE DEVE ESSERE EFFETTUATA DA PERSONALE SPECIALIZZATO -

A

B

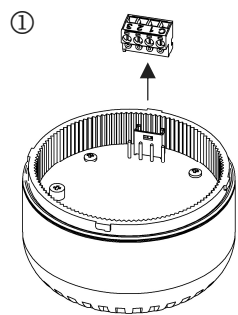
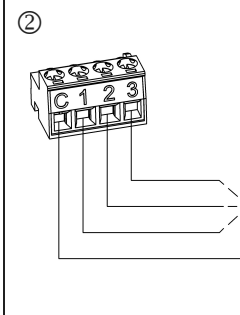
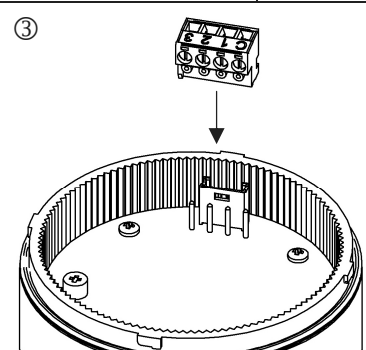
SWITCH A SOUNDS						
N°	STONE	STONE TYPE	F(Hz)	TIMES	DESCRIPTION	DIP SWITCH
1	BI-TONE		600 - 700	0.5s/0.5s	STANDARD	0 0 0 0 0
2	MULTI-TONE		1000 - 1700	CICLE 0.25s	STANDARD	1 0 0 0 0
3	MODULATED		1000 - 1700	CICLE 0.8s	STANDARD	0 1 0 0 0
4	BI-TONE		440 - 560	565s/565s	STANDARD - EVACUATION	1 1 0 0 0
5	LINEAR		300	-	GENERAL PURPOSE	0 0 1 0 0
6	LINEAR		660	-	SWEDISH (ALL CLEAR)	1 0 1 0 0
7	LINEAR		750	-	GENERAL PURPOSE	0 1 1 0 0
8	LINEAR		2850	-	GENERAL PURPOSE	1 1 1 0 0
9	SWEEP		500 - 1200	3.5s ON/0.5s OFF	NETHERLANDS-NEN2575:2000	0 0 0 0 1
10	SWEEP		500 - 1200	0.5s ON/0.5s OFF X 3 1.5s OFF	AUSTRALIA AS1670	1 0 0 1 0
11	SWEEP		800 - 970	0.5s ON/0.5s OFF X 3 1.5s OFF	ISO 8201	0 1 0 1 0
12	INTERMITTENT		420	0.625s ON/0.625s OFF	AUSTRALIA AS1670 ALERT TONE	1 1 0 1 0
13	INTERMITTENT		660	0.15s ON/0.15s OFF	SWEDISH (AIR RAID)	0 0 1 1 0
14	INTERMITTENT		660	1.8s ON/1.8s OFF	SWEDISH (LOCAL WARNING)	1 0 1 1 0
15	INTERMITTENT		660	0.5s ON/0.5s OFF	SWEDISH GENERAL PURPOSE	0 1 1 1 0
16	INTERMITTENT		720	0.7s ON/0.3s OFF	GENERAL PURPOSE	1 1 1 1 0
17	INTERMITTENT		750	0.33s ON/0.5s OFF	GENERAL PURPOSE	0 0 0 0 1
18	INTERMITTENT		800	0.25s ON/1s OFF	GENERAL PURPOSE	1 0 0 0 1
19	INTERMITTENT		970 - 800	0.35s/0.35s/0.35s OFF X 3 1.5s OFF	ISO 8201	0 1 0 0 1
20	INTERMITTENT		970	0.5s ON/0.5s OFF X 3 1.5s OFF	ISO 8201 LOW TONE	1 1 0 0 1
21	INTERMITTENT		970	0.25s ON/0.25s OFF	GENERAL PURPOSE	0 0 1 0 1
22	INTERMITTENT		2850	1s ON/1s OFF	GENERAL PURPOSE	1 0 1 0 1
23	INTERMITTENT		2850	0.25s ON/0.25s OFF	GENERAL PURPOSE	0 1 1 0 1
24	BI-TONE		600 - 700	0.5s/0.5s	GENERAL PURPOSE	1 1 1 0 1
25	BI-TONE		800 - 970	0.25s/0.25s	BS5839-1:2002	0 0 0 1 1
26	BI-TONE		800 - 970	0.8s/0.8s	GENERAL PURPOSE	1 0 0 1 1
27	BI-TONE		1000 - 2000	1s/1s	GENERAL PURPOSE	0 1 0 1 1
28	CHIME 1 SINGLE		700 - 600	0.4s/0.7s	SINGLE SHOT DING DONG	1 1 0 1 1
29	CHIME 1 REPEATING		700 - 600	0.4s/0.7s OFF	REPEATING DING DONG	0 0 1 1 1
30	CHIME 1 REPEATING		700 - 600	0.25s/0.4s OFF	REPEATING DING DONG	1 0 1 1 1
31	HOOTER REPEATING		-	3s ON/2s OFF	GENERAL PURPOSE	0 1 1 1 1
32	SIMULATED BELL		1850	0.1s (modulated 0.03s)	GENERAL PURPOSE	1 1 1 1 1

SWITCH B SOUNDS						
N°	STONE	STONE TYPE	F(Hz)	TIMES	DESCRIPTION	DIP SWITCH
1	INTERMITTENT		490	0.5s ON/1s OFF	GENERAL PURPOSE - WARNING	0 0 0 0 0
2	BI-TONE		480 - 610	0.5s/0.5s	GENERAL PURPOSE - EVACUATION 1	1 0 0 0 0
3	LINEAR		610	-	GENERAL PURPOSE - EVACUATION 2	0 1 0 0 0
4	LINEAR		500	-	GENERAL PURPOSE	1 1 0 0 0
5	LINEAR		970	-	BS5839-1:2002	0 0 1 0 0
6	SWEEP		500 - 1200	CICLE 3.75s/0.25s OFF	AS2220	1 0 1 0 0
7	SWEEP		1400 - 1600	CICLE 1.5s	NF 48-265	0 1 1 0 0
8	SWEEP		800 - 970	CICLE 1.5s	BS5839-1:2002	1 1 1 0 0
9	SWEEP		1200 - 500	CICLE 1s	DIN 33 404	0 0 0 1 0
10	INTERMITTENT		544	0.625s ON/0.625s OFF	GENERAL PURPOSE	1 0 0 1 0
11	INTERMITTENT		660	6.5s ON/13s OFF	SWEDISH (PRE-MESS)	0 1 0 1 0
12	INTERMITTENT		970	1s ON/1s OFF	APOLLO FIRE SYSTEM BS5839	1 1 0 1 0
13	INTERMITTENT		2850	0.5s ON/0.5s OFF X 3 1.5s OFF	ISO 8201 HIGH TONE	0 0 1 1 0
14	BI-TONE		970 - 630	0.5s/0.5s	APOLLO FIRE SYSTEM BS5839	1 0 1 1 0
15	BI-TONE		554 - 440	0.1s/0.4s	FRANCE - AFNOR NF S 32 001	0 1 1 1 0
16	BI-TONE		440 - 554	0.5s/0.5s	GENERAL PURPOSE	1 1 1 1 0
17	BI-TONE		510 - 610	0.5s/0.5s	GENERAL PURPOSE	0 0 0 0 1
18	BI-TONE		510 - 610	1s/1s	GENERAL PURPOSE	1 0 0 0 1
19	BI-TONE		600 - 700	1s/1s	GENERAL PURPOSE	0 1 0 0 1
20	BI-TONE		550 - 1000	0.5s/0.5s	GENERAL PURPOSE	1 1 0 0 1
21	BI-TONE		550 - 1000	1s/1s	GENERAL PURPOSE	0 0 1 0 1
22	BI-TONE		800 - 1000	0.5s/0.5s	GENERAL PURPOSE	1 0 1 0 1
23	BI-TONE		800 - 1000	1s/1s	GENERAL PURPOSE	0 1 1 0 1
24	BI-TONE		1000 - 2000	0.5s/0.5s	GENERAL PURPOSE	1 1 1 0 1
25	BI-TONE		2400 - 2850	0.265s/0.265s	GENERAL PURPOSE	0 0 0 1 1
26	BI-TONE		2400 - 2850	0.465s/0.465s	GENERAL PURPOSE	1 0 0 1 1
27	BI-TONE		640 - 970	0.5s/0.5s	GENERAL PURPOSE	0 1 0 1 1
28	BI-TONE		490 - 610	0.25s/0.25s	GENERAL PURPOSE	1 1 0 1 1
29	CHIME 2 SINGLE		554 - 440	0.35s/0.7s	SINGLE SHOT DING DONG	0 0 1 1 1
30	CHIME 2 REP		554 - 440	0.35s/0.7s/0.5s OFF	REPEATING DING DONG	1 0 1 1 1
31	CHIME 3 SINGLE		1300 - 944	0.5s/1s	SINGLE SHOT DING DONG	0 1 1 1 1
32	CHIME 3 REP		1300 - 944	0.5s/1s/0.5s OFF	REPEATING DING DONG	1 1 1 1 1

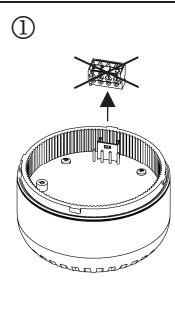
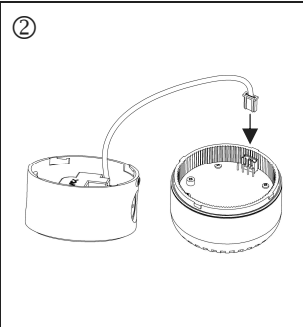
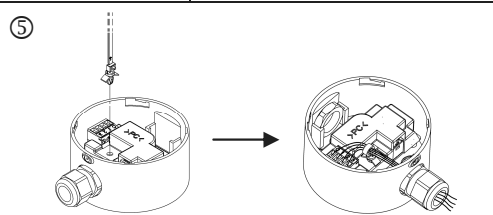
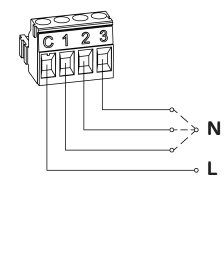

SCHUTZSICHERUNG	Für die Zuleitung träge Sicherungen verwenden, die nach der Spannung zu bemessen sind
FUSE WIRE PROTECTION	On the power supply line the rating of the supply fuse must be according to the voltage
FUSIBLE DE PROTECTION	Sur la ligne d'alimentation utiliser des fusibles retardés dimensionnés selon la tension
FUSIBLE DE PROTECCIÓN	En la línea de alimentación emplear fusibles de seguridad adecuados al voltaje
FUSIBILE DI PROTEZIONE	Sulla linea di alimentazione utilizzare fusibili ritardati dimensionati a seconda della tensione

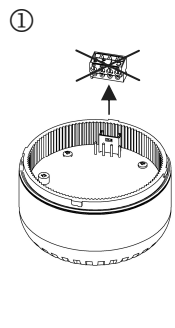
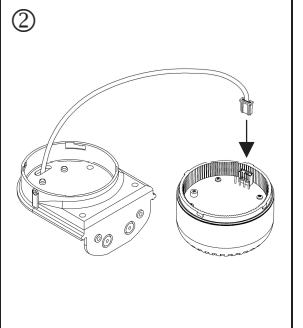
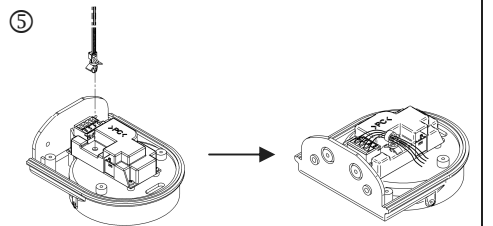
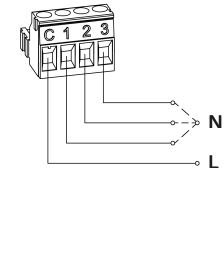

ACHTUNG	Vor Öffnen des Gerätes dieses spannungsfrei schalten
WARNING	Disconnected power supply before making any intervention on the device
ATTENTION	S'assurer d'avoir coupé l'alimentation avant d'intervenir sur le produit
ADVERTENCIA	Desconectar la tensión eléctrica antes de trabajar en el equipo
ATTENZIONE	Assicurarsi di togliere tensione prima di intervenire sul prodotto

VERKABELUNG/WIRING/CÂBLAGE/CABLEADO/CABLAGGIO BASES LT (12÷24V DC/AC)

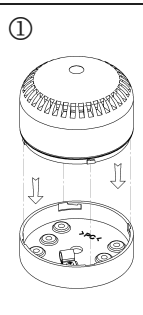
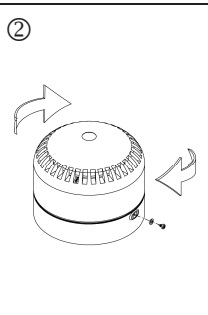
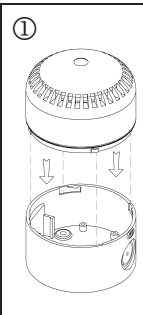
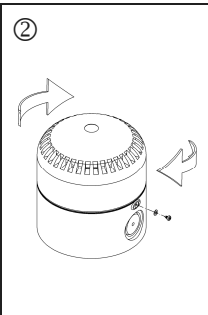
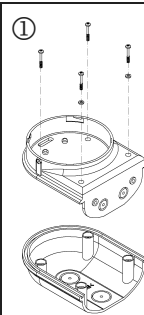
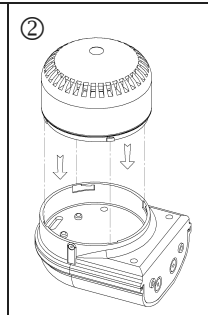
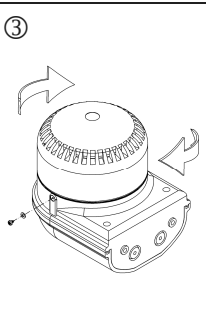
MSG 8921 + BMF 8911 / MSG 8921 + BMT 8912 / MSG 8921 + BMW 8913 MHZ 893X + BMF 8911 / MHZ 893X + BMT 8912 / MHZ 893X + BMW 8913		12÷24V DC/AC
		<p>C + 1 (nur für Ausführung MHZ 893X): LED-Blinklicht C + 1 (only MHZ 893X version): LED flashing light C + 1 (seulement pour version MHZ 893X): Lumière à LED clignotante C + 1 (únicamente para la versión MHZ 893X): Luz intermitente de LED C + 1 (solo per versione MHZ 893X): Luce lampeggiante a LED</p> <p>C + 2: LED-Blinklicht (Ausführung MHZ 893X) + Ton SWITCH A C + 2: LED flashing light (MHZ 893X version) + SWITCH A sound C + 2: Lumière à LED clignotante (version MHZ 893X) + son SWITCH A C + 2: Luz intermitente de LED (versión MHZ 893X) + Sonido SWITCH A C + 2: Luce lampeggiante a LED (versione MHZ 893X) + suono SWITCH A</p> <p>C + 3: LED-Dauerlicht (Ausführung MHZ 893X) + Ton SWITCH B C + 3: LED steady light (MHZ 893X version) + SWITCH B sound C + 3: Lumière à LED fixe (version MHZ 893X) + son SWITCH B C + 3: Luz fija de LED (versión MHZ 893X) + Sonido SWITCH B C + 3: Luce fissa a LED (versione MHZ 893X) + suono SWITCH B</p>
		<p>C + 2 hat die Priorität auf C + 1 C + 2 has priority over C + 1 C + 2 est prioritaire sur C + 1 C + 2 tiene prioridad en C + 1 C + 2 ha priorità su C + 1</p> <p>C + 3 hat die Priorität auf C + 2 und C + 1 C + 3 has priority over C + 2 and C + 1 C + 3 est prioritaire sur C + 2 et C + 1 C + 3 tiene prioridad en C + 2 y C + 1 C + 3 ha priorità su C + 2 e C + 1</p>

VERKABELUNG/WIRING/CÂBLAGE/CABLEADO/CABLAGGIO BASES (90÷240V AC)

MSG 8921 + BMT 8914 / MHZ 893X + BMT 8914		90÷240V AC
		<p>C + 1 (nur für Ausführung MHZ 893X): LED-Blinklicht C + 1 (only MHZ 893X version): LED flashing light C + 1 (seulement pour version MHZ 893X): Lumière à LED clignotante C + 1 (únicamente para la versión MHZ 893X): Luz intermitente de LED C + 1 (solo per versione MHZ 893X): Luce lampeggiante a LED</p> <p>C + 2: LED-Blinklicht (Ausführung MHZ 893X) + Ton SWITCH A C + 2: LED flashing light (MHZ 893X version) + SWITCH A sound C + 2: Lumière à LED clignotante (version MHZ 893X) + son SWITCH A C + 2: Luz intermitente de LED (versión MHZ 893X) + Sonido SWITCH A C + 2: Luce lampeggiante a LED (versione MHZ 893X) + suono SWITCH A</p> <p>C + 3: LED-Dauerlicht (Ausführung MHZ 893X) + Ton SWITCH B C + 3: LED steady light (MHZ 893X version) + SWITCH B sound C + 3: Lumière à LED fixe (version MHZ 893X) + son SWITCH B C + 3: Luz fija de LED (versión MHZ 893X) + Sonido SWITCH B C + 3: Luce fissa a LED (versione MHZ 893X) + suono SWITCH B</p>
		
		<p>C + 2 hat die Priorität auf C + 1 C + 2 has priority over C + 1 C + 2 est prioritaire sur C + 1 C + 2 tiene prioridad en C + 1 C + 2 ha priorità su C + 1</p> <p>C + 3 hat die Priorität auf C + 2 und C + 1 C + 3 has priority over C + 2 and C + 1 C + 3 est prioritaire sur C + 2 et C + 1 C + 3 tiene prioridad en C + 2 y C + 1 C + 3 ha priorità su C + 2 e C + 1</p>

MSG 8921 + BMW 8915 / MHZ 893X + BMW 8915		90÷240V AC
		<p>C + 1 (nur für Ausführung MHZ 893X): LED-Blinklicht C + 1 (only MHZ 893X version): LED flashing light C + 1 (seulement pour version MHZ 893X): Lumière à LED clignotante C + 1 (únicamente para la versión MHZ 893X): Luz intermitente de LED C + 1 (solo per versione MHZ 893X): Luce lampeggiante a LED</p> <p>C + 2: LED-Blinklicht (Ausführung MHZ 893X) + Ton SWITCH A C + 2: LED flashing light (MHZ 893X version) + SWITCH A sound C + 2: Lumière à LED clignotante (version MHZ 893X) + son SWITCH A C + 2: Luz intermitente de LED (versión MHZ 893X) + Sonido SWITCH A C + 2: Luce lampeggiante a LED (versione MHZ 893X) + suono SWITCH A</p> <p>C + 3: LED-Dauerlicht (Ausführung MHZ 893X) + Ton SWITCH B C + 3: LED steady light (MHZ 893X version) + SWITCH B sound C + 3: Lumière à LED fixe (version MHZ 893X) + son SWITCH B C + 3: Luz fija de LED (versión MHZ 893X) + Sonido SWITCH B C + 3: Luce fissa a LED (versione MHZ 893X) + suono SWITCH B</p>
		
		<p>C + 2 hat die Priorität auf C + 1 C + 2 has priority over C + 1 C + 2 est prioritaire sur C + 1 C + 2 tiene prioridad en C + 1 C + 2 ha priorità su C + 1</p> <p>C + 3 hat die Priorität auf C + 2 und C + 1 C + 3 has priority over C + 2 and C + 1 C + 3 est prioritaire sur C + 2 et C + 1 C + 3 tiene prioridad en C + 2 y C + 1 C + 3 ha priorità su C + 2 e C + 1</p>

ANZIEHEN DER HAUBE/DOME TIGHTENING/SERRAGE DU DÔME APRIETE DE LA CÚPULA/BLOCCAGGIO CUPOLE

						
MSG 8921 + BMF 8911 MHZ 893X + BMF 8911		MSG 8921 + BMT 8912 MHZ 893X + BMT 8912 MSG 8921 + BMT 8914 MHZ 893X + BMT 8914		MSG 8921 + BMW 8913 / MHZ 893X + BMW 8913 MSG 8921 + BMW 8915 / MHZ 893X + BMW 8915		