

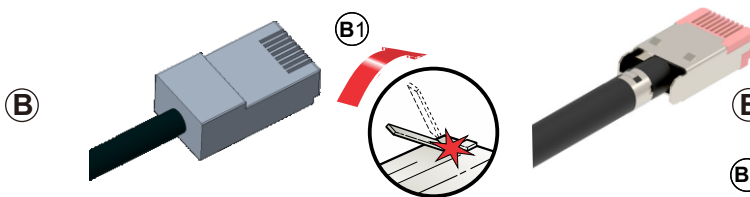


ASSEMBLY INSTRUCTION

RE8MY-1 | RJ45 Data Connector

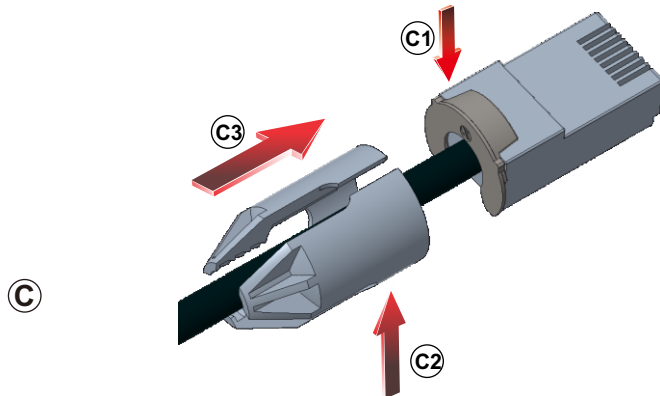


A Slide the boot onto the cable.



B Prepare cable as shown.

B1 Cut off the release tab of RJ45 plug.

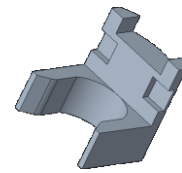


C Assemble chuck stop and chuck

C1 Put the chuck stop onto the connector.

C2 Put the chuck onto the cable.

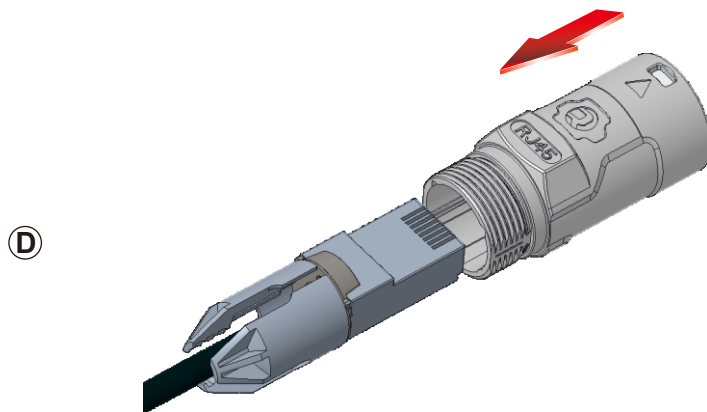
C3 Push the chuck onto the chuck stop.



Chuck stop 1
Cable O.D<5mm



Chuck stop 2
Cable O.D<8mm



D Put the assembled connector, chuck stop and chuck into the housing as shown picture

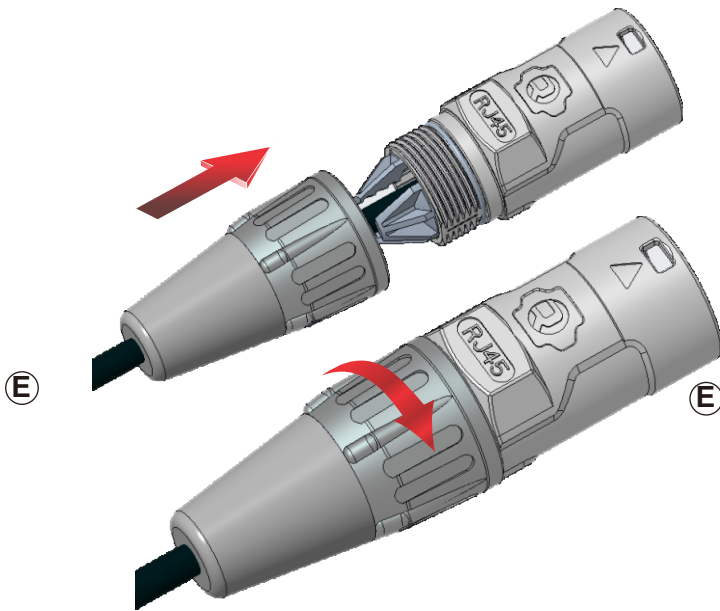
RJ45 Data Connectors:
Find more details on
www.rean-connectors.com



Neutrik AG LI T: +423 / 237 24 24 F: +423/232 53 93
Neutrik USA Inc. USA T: +1 704 / 972 3050 F: +1 704/438 9202
Neutrik (UK) Ltd. UK T: +44 1983 / 811 441 F: +44 1983/811 439
Neutrik Vertriebs GmbH DE/NL/AT/DK T: +49 8131 / 280 890 F: +49 8131/280 830

Neutrik France FR T: +33 1/4131 6750 F: +33 1/4131 0511
Neutrik Tokyo Ltd. JP T: +81 3/3663 4733 F: +81 3/3663 4796
Neutrik Hong Kong Ltd. HK T: +852/2687 6055 F: +852/2687 6052
Neutrik Trading Ltd. CN T: +0574/8825 0833 F: +0574/8826 5000

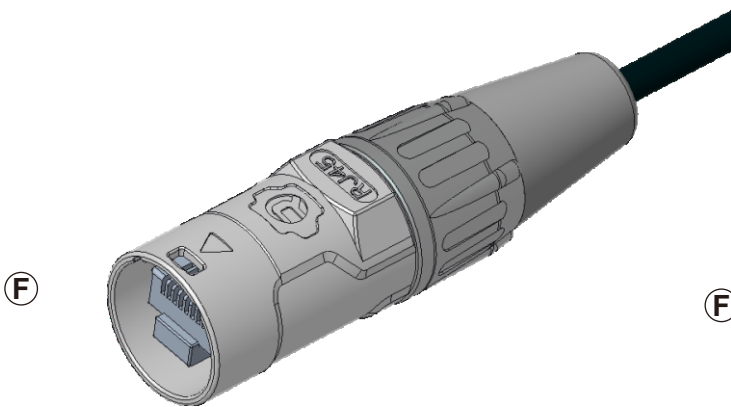
Draft. Nr.: NCN 010 | Update: 2021-03-17 | Data subject to change without prior notice. © 2021 REAN®. REAN® is registered trademark of Neutrik AG. ALL RIGHTS RESERVED.



Ⓔ

Ⓔ Slide the bushing onto the housing thread and then tighten the bushing.

Attention: Tighten the bushing to the end of the thread .



Ⓕ

Ⓕ Finish

RJ45 Data Connectors:
Find more details on
www.rean-connectors.com



Neutrik AG LI T: +423 / 237 24 24 F: +423/232 53 93
Neutrik USA Inc. USA T: +1 704 / 972 3050 F: +1 704/438 9202
Neutrik (UK) Ltd. UK T: +44 1983 / 811 441 F: +44 1983/811 439
Neutrik Vertriebs GmbH DE/NL/AT/DK T: +49 8131 / 280 890 F: +49 8131/280 830

Neutrik France FR T: +33 1/4131 6750 F: +33 1/4131 0511
Neutrik Tokyo Ltd. JP T: +81 3/3663 4733 F: +81 3/3663 4796
Neutrik Hong Kong Ltd. HK T: +852/2687 6055 F: +852/2687 6052
Neutrik Trading Ltd. CN T: +0574/8825 0833 F: +0574/8826 5000

Draft. Nr.: NCN 010 | Update: 2021-03-17 | Data subject to change without prior notice. © 2021 REAN®. REAN® is registered trademark of Neutrik AG. ALL RIGHTS RESERVED.

www.rean-connectors.com

REAN®