



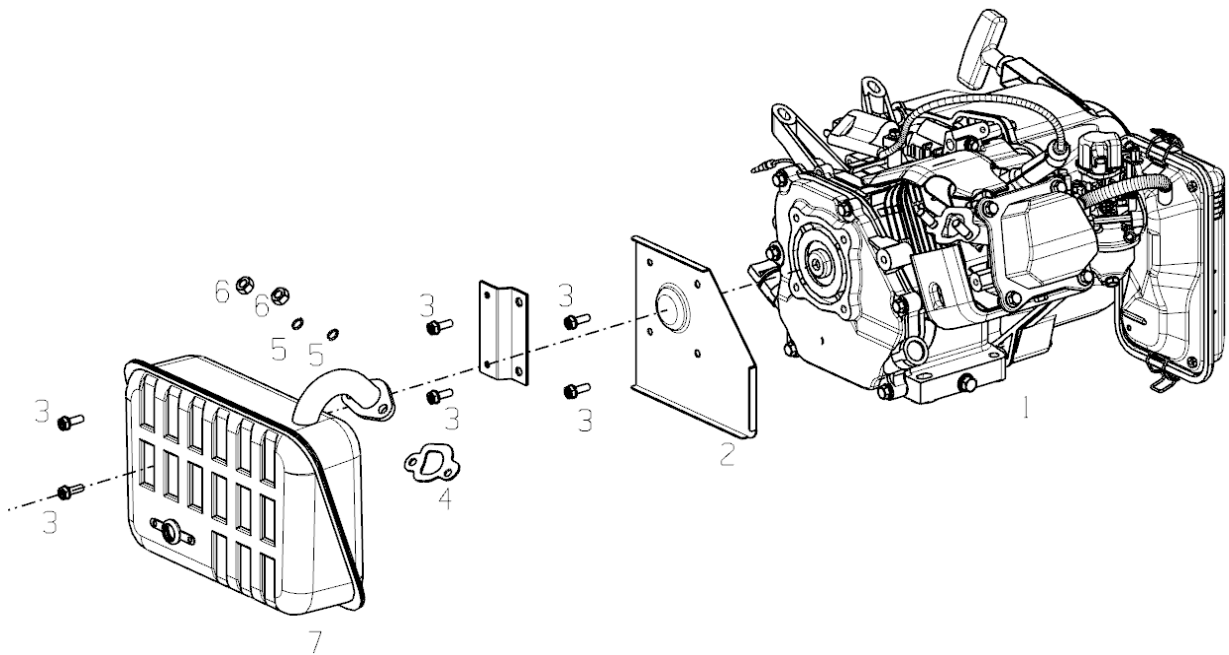
## Spare Part List – Generator

FN 960189c02

BN 2612922

RE: TOOLCRAFT Inverter Power Generator 3.4KW 69dB

FIG.1 Engine Assembly

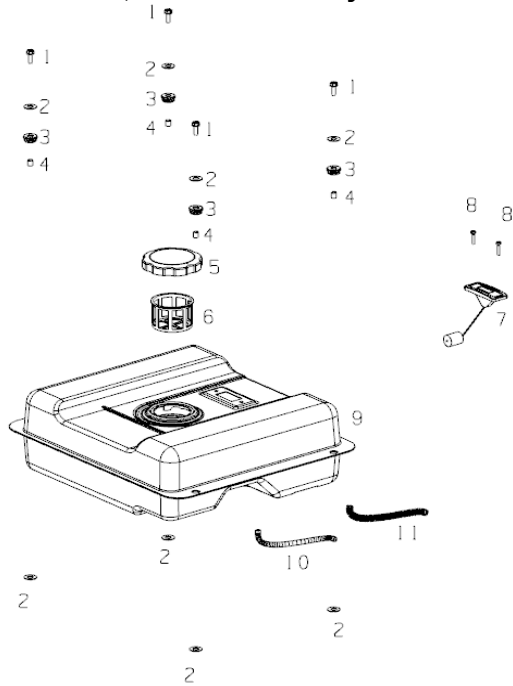


REF.NO.	PART NO.	DESCRIPTION	Q'TY
1-1	3500ig.1-1	Engine	1
1-2	3500ig.1-2	Heat Baffle	1
1-3	3500ig.1-3	Hex Socket Bolt M8	6
1-4	3500ig.1-4	Muffler Shim	1
1-5	3500ig.1-5	Spring Washer M8	2
1-6	3500ig.1-6	Hex Nut M8	2
1-7	3500ig.1-7	Muffler	1



## Spare Part List – Generator

FIG.2 TANK, FUEL Assembly

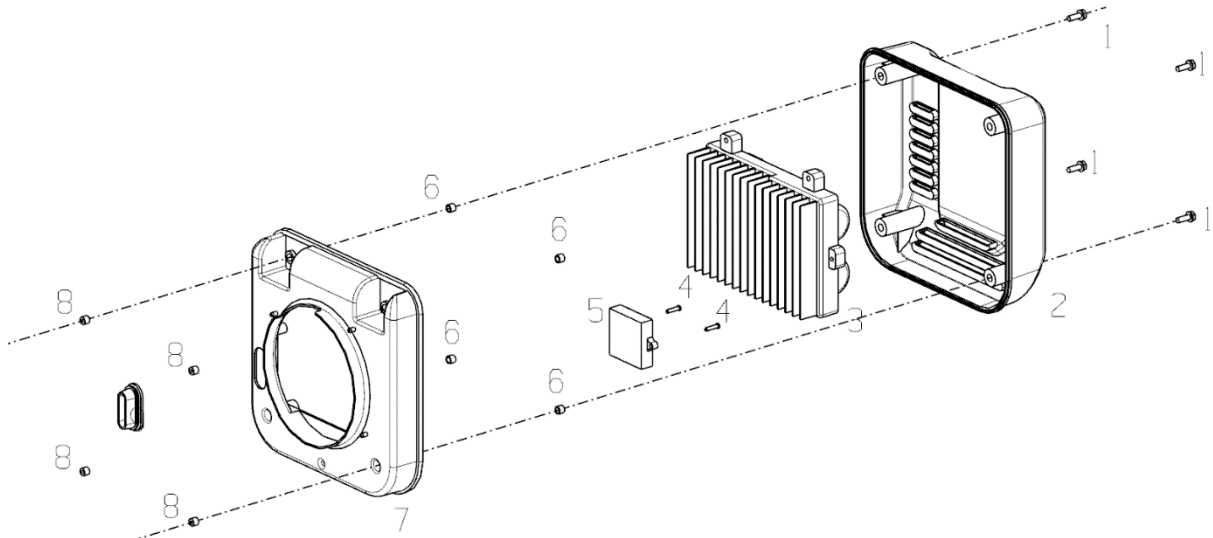


REF.NO.	PART NO.	DESCRIPTION	Q'TY
2-1	3500ig.2-1	Hex Flange Bolt M6	4
2-2	3500ig.2-2	Washer	8
2-3	3500ig.2-3	Rubber Part 11#	4
2-4	3500ig.2-4	Bushing	4
2-5	3500ig.2-5	Tank Cap	1
2-6	3500ig.2-6	Filter Screen	1
2-7	3500ig.2-7	Fuel Level Gauge	1
2-8	3500ig.2-8	Bolt	2
2-9	3500ig.2-9	Fuel Tank	1
2-10	3500ig.2-10	Tube Spring	1
2-11	3500ig.2-11	Fuel Tube	1



## Spare Part List – Generator

FIG.3 Inverter Assembly

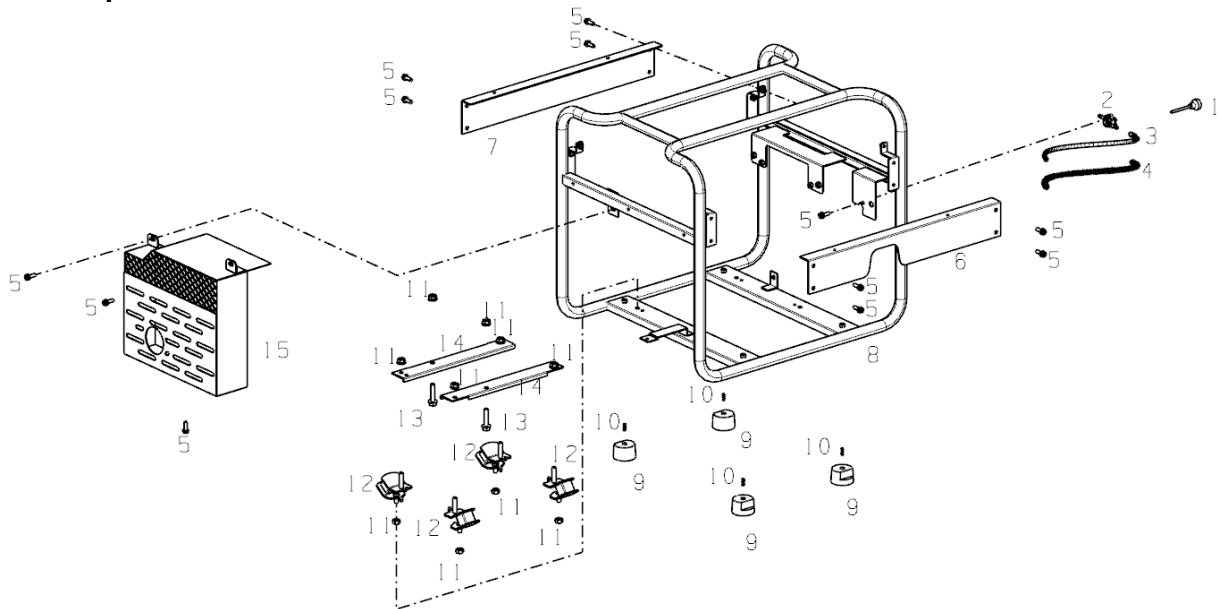


REF.NO.	PART NO.	DESCRIPTION	Q'TY
3-1	3500ig.3-1	Hex Flange Bolt M6	8
3-2	3500ig.3-2	Inverter Unit Front Cover	1
3-3	3500ig.3-3	Inverter Unit (3500ig)	1
3-4	3500ig.3-4	Self-Tapping Screw	1
3-5	3500ig.3-5	Ignition Control Module	1
3-6	3500ig.3-6	Bushing	4
3-7	3500ig.3-7	Inverter Unit Rear Cover	1
3-8	3500ig.3-8	Bushing	4
3-9	3500ig.3-9	Water Proof Rubber	1



## Spare Part List – Generator

FIG.4 Open frame accessories

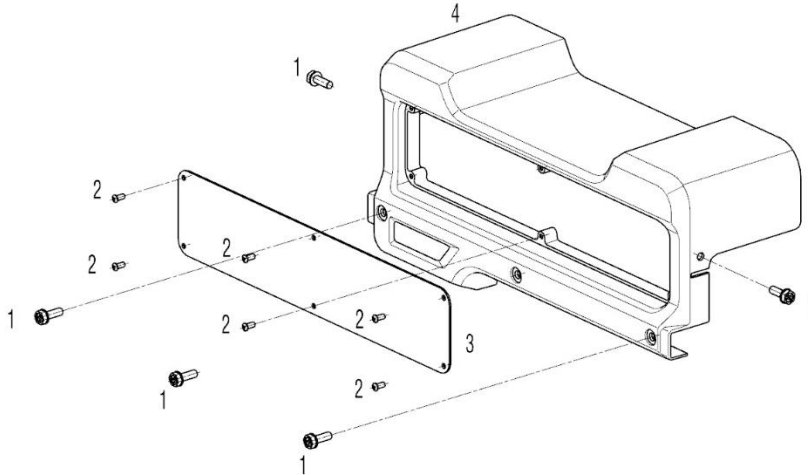


REF.NO.	PART NO.	DESCRIPTION	Q'TY
4-1	3500ig.4-1	Choke Line	1
4-2	3500ig.4-2	Fuel Tap	1
4-3	3500ig.4-3	Tube Spring	1
4-4	3500ig.4-4	Fuel Tube	1
4-5	3500ig.4-5	Hex Flange Nut M6	11
4-6	3500ig.4-6	Iron Side Board Left	1
4-7	3500ig.4-7	Iron Side Board Right	1
4-8	3500ig.4-8	Generator Frame	1
4-9	3500ig.4-9	Rubber Foot	1
4-10	3500ig.4-10	Hex Flange Nut M6	4
4-11	3500ig.4-11	Hex Flange Nut M8	6
4-12	3500ig.4-12	Shock Absorbing Foot	4
4-13	3500ig.4-13	Hex Flange Bolt M8	2
4-14	3500ig.4-14	Engine Base Board	2
4-15	3500ig.4-15	Muffler Cover	1



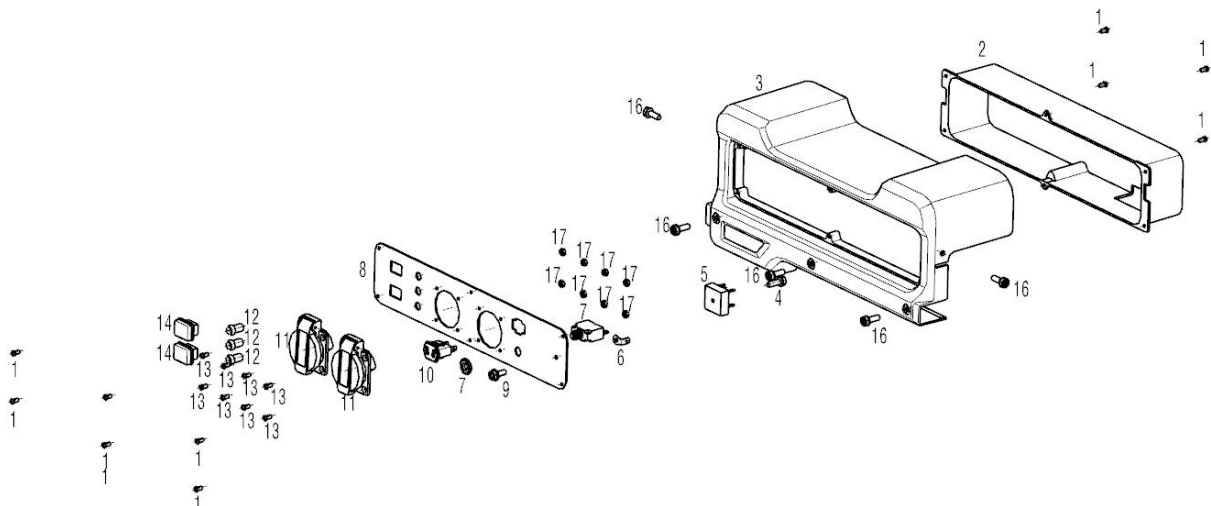
## Spare Part List – Generator

FIG.5 Protection cover



REF.NO.	PART NO.	DESCRIPTION	Q'TY
5-1	3500ig.5-1	Hex Flange Bolt M6	5
5-2	3500ig.5-2	Self-Tapping Screw M4	6
5-3	3500ig.5-3 (cancelled)	Blank Panel	1
5-4	3500ig.5-4	Blank Panel Housing	1

FIG.6 Control panel





## Spare Part List – Generator

---

REF.NO.	PART NO.	DESCRIPTION	Q'TY
6-1	3500ig.6-1	Self-Tapping Screw M4	12
6-2	3500ig.6-2	Panel Inner Housing	1
6-3	3500ig.6-3	Panel Housing	1
6-4	3500ig.6-4	Bolt	1
6-5	3500ig.6-5	Dc Rectifier	1
6-6	3500ig.6-6	Ground Connector	1
6-7	3500ig.6-7	Dc Protector	1
6-8	3500ig.6-8	Control Panel	1
6-9	3500ig.6-9	Bolt	4
6-10	3500ig.6-10	Dc Socket	1
6-11	3500ig.6-11	Ac Socket	2
6-12	3500ig.6-12	LED Light	3
6-13	3500ig.6-13	Cr Bolt M4	8
6-14	3500ig.6-14	Engine Switch & Eco Mode Switch	2
6-15	3500ig.6-15	Wire	1
6-16	3500ig.6-16	Hex Flange Bolt M6	5
6-17	3500ig.6-17	Hex Flange Nut M4	8