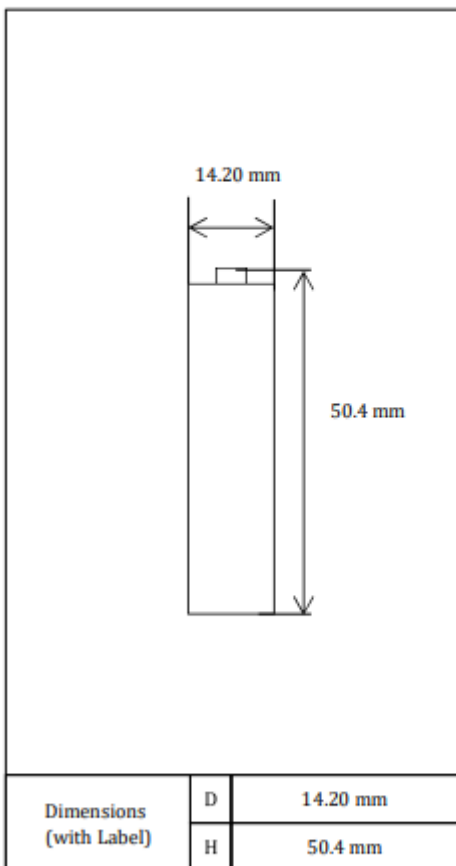


Panasonic

Cell Type BK-3LCC

To PECE

Specifications



Type : Nickel-Metal Hydride Battery		Size : AA Consumer Type
Country of origin		Japan
Capacity ¹⁾	Minimum	950mAh
Nominal Voltage		1.2V
Charging Current x Time		Fast Charge ²⁾ Max.950mA
Ambient Temp.	Charge Condition	Fast Charge ²⁾ 0°C - 40°C
	Discharge Condition	-5°C - 50°C
	Storage Condition	Less than 90days
Less than 1year		-20°C - 30°C
Internal Impedance ³⁾ (after discharge to E.V.=1.0V)		Approx. 25mΩ(at 1KHz)
Weight ⁴⁾		Approx. 19 g
Size ⁴⁾ : (Diameter) x (Height)		φ: 14.2 mm X H: 50.4 mm

- 1) Single cell capacity under the following condition.
Charge: 95mA x 16h, Discharge: 190 mA (E.V = 1.0V at 25deg. C)
- 2) Use recommended of charging system
- 3) After a few charge and discharge cycles under the above first condition.
- 4) With label

