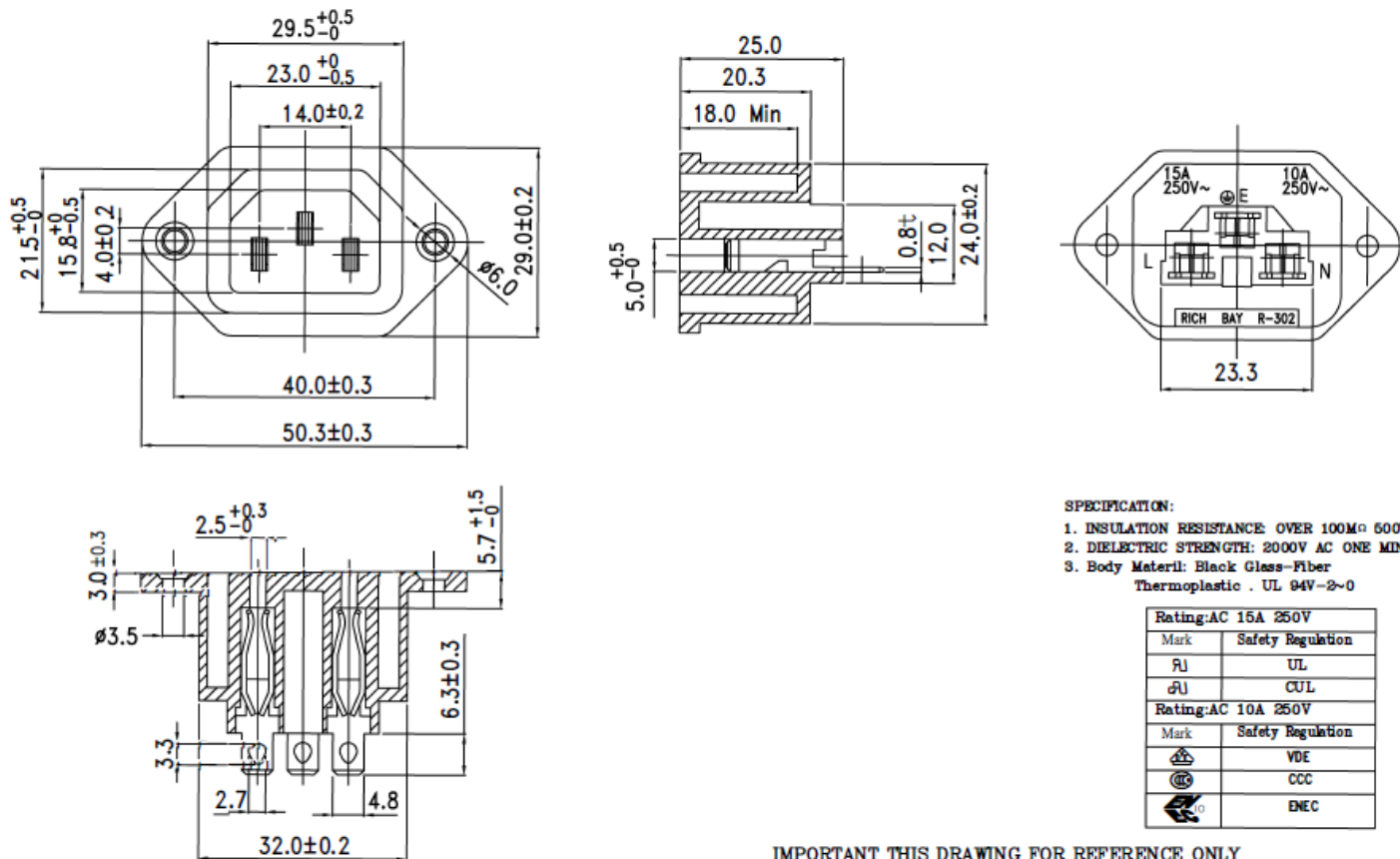


Data Sheet

IEC C13 plug



IMPORTANT THIS DRAWING FOR REFERENCE ONLY

UNIT	UNIT QTY	SCALE	TOLERANCE		PRODUCT NO.	REV
			X.XX±0.1	XX.XX±0.2		
mm	1	1:1		XXX.XX±0.3	R-302(B00)	
			ID NO	10032602Q	INTERIM NO.	C
			DESCRIPTION		NEW NO.	