

Declaration of Conformity

This product has been manufactured according to actual technical standards. The product is matching the requirements of the existing European and national guidelines. The Declaration of Conformity has been proofed. AMEWI TRADE GmbH declares that this product is matching the basic requirements and remaining regulations of the guideline 2014/53/EU (RED). The declarations and documents are stored at the manufacturer and can be requested and applied there.

The full text of the declaration of conformity can be found at: <https://amewi.com/Konformitaetserklaerungen>

For additional questions to the product and conformity please contact:
AMEWI TRADE GmbH Nikolaus-Otto-Str. 18, 33178 Borcheln or via the website amewi.com

Security and Hazard Warnings



Warning! For damage, caused by disregarding of the manual, warranty expires!
We are not liable for secondary failures, material or personal damage, caused by improper usage or disregarding the security notices.
Warning! Based on security and registration (CE) reasons, it is forbidden to modify the product personally. Do not disassemble the product.
Warning! Small parts. Danger of suffocation or risk of injury caused by small parts.



The product is not allowed to get moist or wet. The product is only allowed to be used on flat and clean surfaces. Even a drop down from a small height can cause damage to the product.

Battery Notice and Battery Disposal



Warning! Battery do not belong in childrens hands. A change of the battery has to be done by an adult person. Never mix chargeable batteries with non-chargeable batteries. Never mix fully charged batteries with almost empty batteries. Never mix batteries of different capacities. Never try to charge dry batteries. Take care of the correct polarity. Defective batteries belong to special waste. Never leave a charging battery unattended. For questions about the charging time please read the manual or ask the manufacturer.

Disposal

The company AMEWI is registered below the WEEE Reg. Nr. DE93834722 at the foundation EAR and recycles all used electronic parts properly. Electric and electronic products are not allowed to be put in household garbage. Please dispose the product at the end of the lifetime according to the actual laws. You as a customer are responsible by law for the return of all used batteries, a disposal over the household garbage is forbidden!
Batteries containing hazardous substances are marked with the alongside symbols, which point to the prohibition of disposal in household garbage.

Additional notations for the critical heavy metal are: Cd=Cadmium, Hg=Quecksilver, Pb=lead (Label is placed on the batteries, for example below the bottom left trash symbols).



Based on RoHS labeling the manufacturer confirms, that all limit values were taken care of at the time of manufacturing.



Batteries labeled with the recycling symbol can be put into used battery collecting tank. (Most supermarkets have)
They are not allowed to be put into local household garbage.



AMEWI is involved in the dual system for boxing over the company Firma Landbell AG. All used boxes are collected from partner companies (waste disposal contractor) at private customers (local household), sorted and properly utilized. The Involvement in a Dual Systems helps to save CO₂ Emissions.

User's Guide

14+
AGES

RADIO CONTROL LOADER PROFESSIONAL LOADER

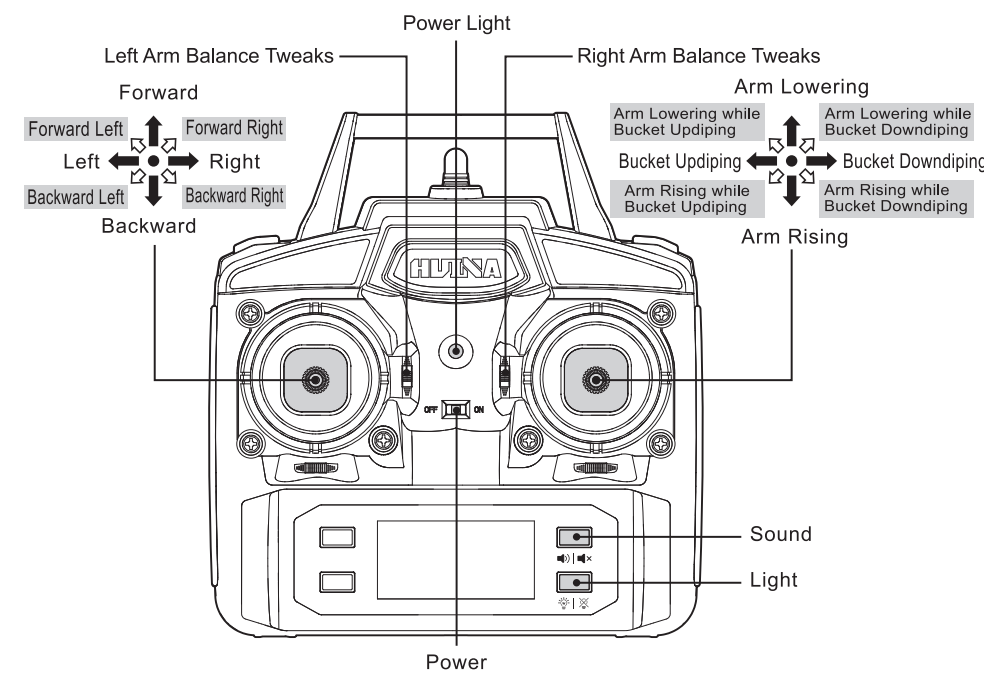


SCALE 1:14



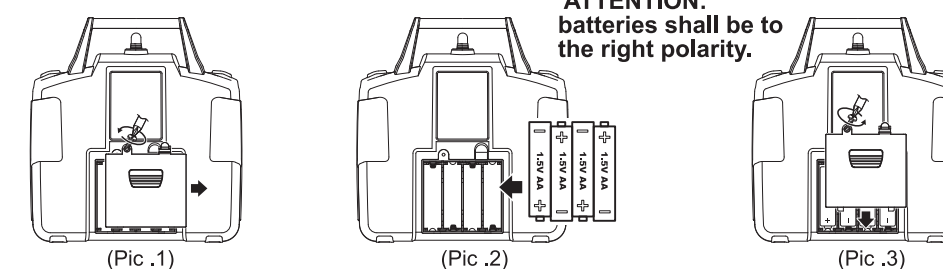
AMEWI Trade GmbH
Nikolaus-Otto-Str. 18
33178 Borcheln
Germany
amewi.com
service@amewi.com

FUNCTION INTRODUCTION OF REMOTE CONTROL



Installation of Remote Control Battery

1. Loosen the screw of battery cover by screwdriver and take out battery cover. (Pic .1)
2. Put four 1.5V AA non-rechargeable batteries (batteries need to be purchased separately) into the battery box to the right polarity at the bottom of remote control. (Pic .2)
3. Install the battery cover and tighten the screw. (Pic .3)



ATTENTION:
batteries shall be to the right polarity.

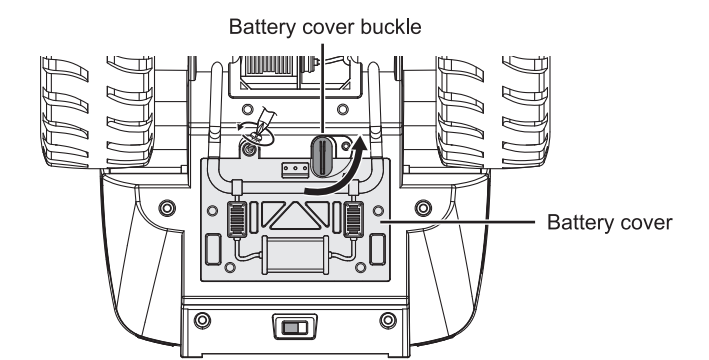
Battery Installation Instructions:

1. Take out and install battery correctly.
2. The non-rechargeable battery can't be charged.
3. The rechargeable battery can only be charged under custody of adults;
4. Different batteries or new and old batteries can't be used together;
5. Battery of same model or recommended model can be used;
6. The rechargeable battery should be taken out from model before charging.
7. Battery should be placed with correct polarity;
8. The exhausted battery should be taken out from model;
9. Short-circuit of battery terminal is forbidden;

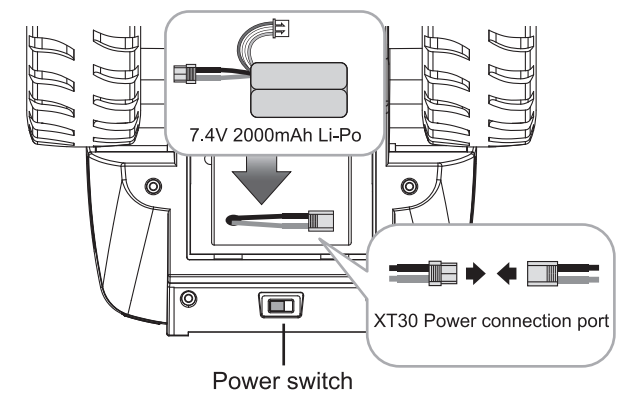
1

INSTALLATION OF LOADER BATTERY

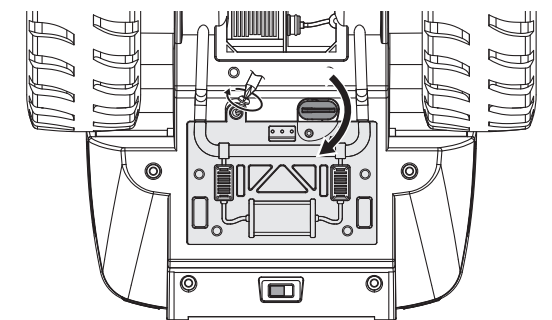
1. Loosen screw of battery cover by screwdriver, twist the locker and take out battery cover.



2. Connect lithium batteries with power pot of loader, then put in the battery box.



3. Install the battery cover, tighten the screw and twist the locker, battery installation completed.

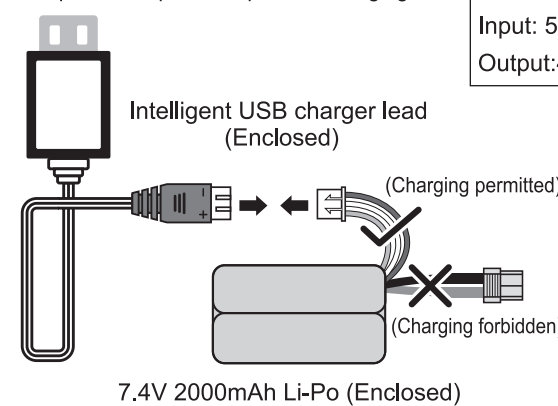


2

BATTERY CHARGING INSTRUCTIONS

CHARGING METHODS

Connect the white port of Li-Po to USB charging port, as shown in the Figure, and ensure port can be connected tightly and correctly, then insert the USB charging plug into power adapter, and perform charging.



BATTERY/USB PARAMETERS

Battery specifications: 18650
7.4V 2000mAh Li-Po
Intelligent USB balance charger with overcharge protection
Input: 5.0V 1-2A
Output: 4.2V 800mAh X2

INDICATOR LIGHT STATUS AT THE TIME OF CHARGING:

Uncharged state: red light always lit
Charged state: Red light always lit + Green light flashes
Full charging state: Red and green light always lit
Charging period: 3-4 hours
When battery is charged, please pull off the USB charger lead in time.

Precautions Of Li-Po

1. Battery can be charged only by originally configured USB charger lead;
2. Be sure to charge with white big-socket port while not the black socket;
3. 7.4V Li-Po must be equipped with 5V USB charging plug;
4. The Li-Po with damaged appearance can't be charged, to avoid fire hazards resulted from spontaneous combustion.
5. Li-Po must be charged in sheet iron box;
6. Battery should be charged within specified charging period.

Safe Usage Instructions for Li-Po

- Li-Po is of higher danger compared with other batteries. Be sure to carefully read the instructions and follow precautions and charging methods before usage.
- This company won't bear any responsibility resulted from improper usage.
- It is strictly forbidden to charge Li-Po with non-original charger, to avoid explosion and fire hazards. Impact, dismantling, inverse connection of positive and negative polarities and incinerating battery are strictly forbidden, to avoid short circuit resulted from metal objects' impacting positive and negative polarities of battery. And please prevent sharp objects from penetrating battery, to avoid catching fire of battery.
- Be prudent and careful to perform charging, to ensure charging can be performed within your visibility range.
- Charger should be out of reach of children to avoid danger.
- The degraded battery shouldn't be charged, otherwise, battery expansion, deformation, explosion even fire hazard will occur, endangering safety and lives and properties.
- The discarded batteries should be recovered by strictly following national or regional waste disposal decrees, so as not to pollute environment.

3

WARNING

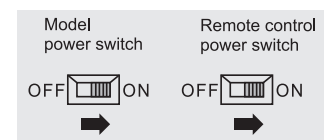
- This product is composed of small parts, don't let children of 14 years or below play it.
- The motor can generate heat; don't touch it, to avoid scald.
- The wire, plug, shell and other parts of battery charger should be periodically checked, in case of any damage, don't use it till repaired well.

MAXIMUM TRANSMITTING POWER

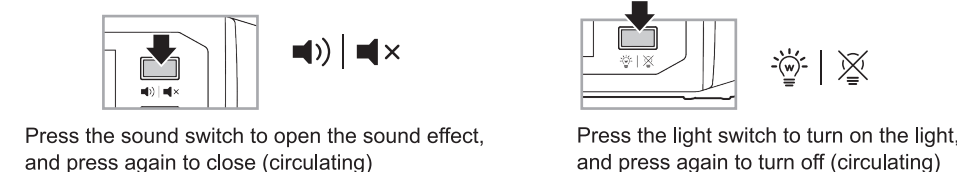
Operation frequency: 2.405 ~ 2.475 MHz
Maximum Radio frequency power: maximum peak power: 0dBm

REMOTE CONTROL FREQUENCY PAIRING AND POWER ON

This product is equipped with remote control of 2.4Ghz. When a user operate it for the first time, please install batteries into model and remote control, then turn the power on, the model is turned on and frequency is automatically paired, and frequency pairing sound is given, "beeps" indicates the frequency has been paired.

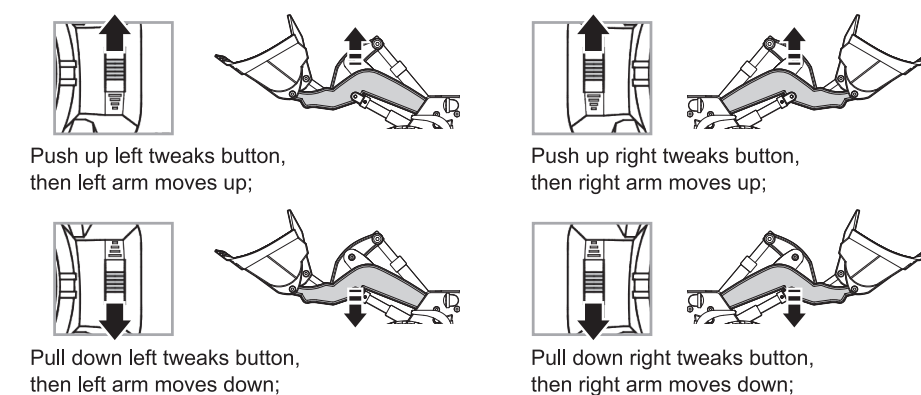


LIGHT & SOUND CONTROL



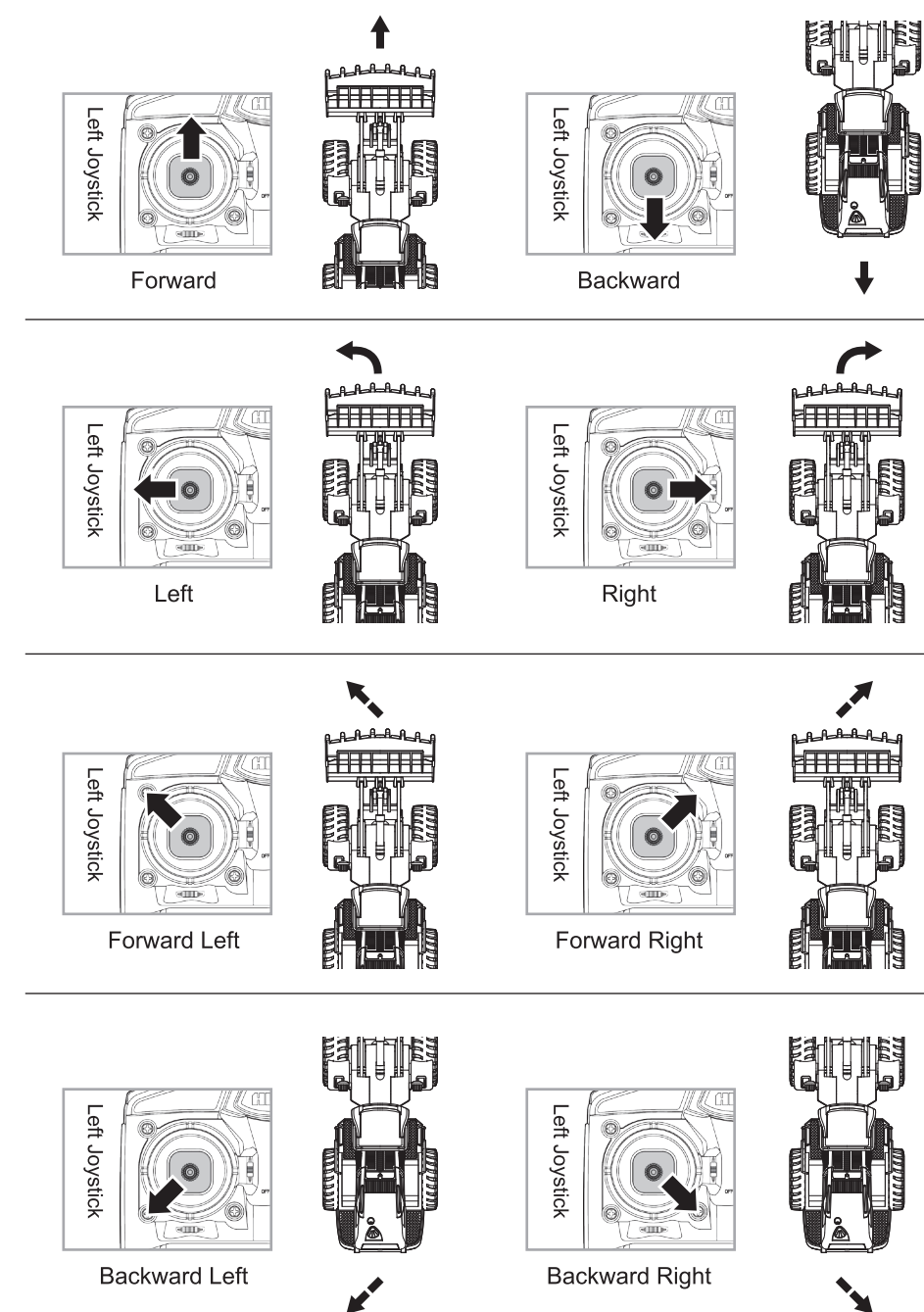
ARM BALANCE TWEAKS

When the bucket is found inclining left or right, adjust the balance by tweaks button.



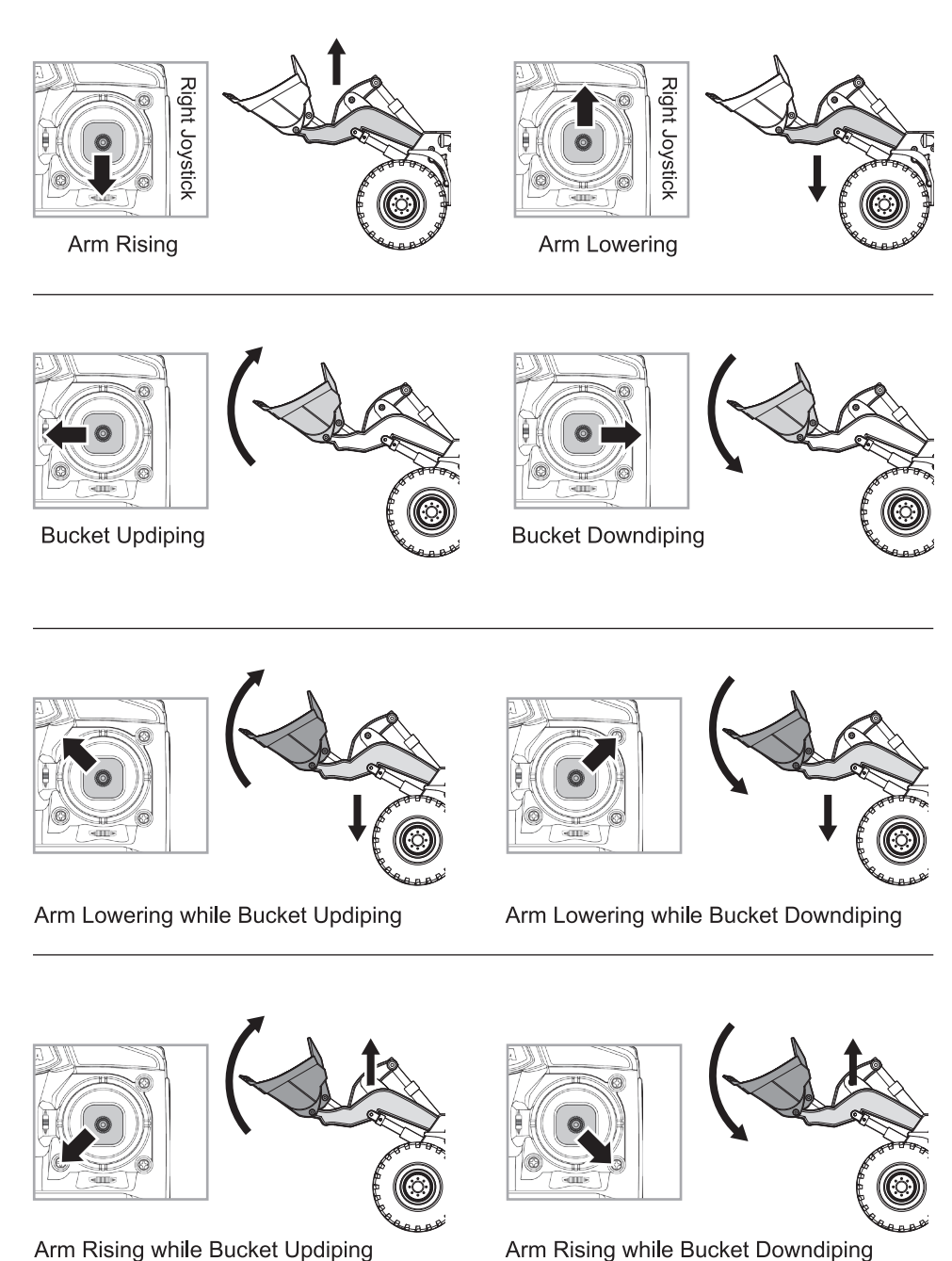
4

OPERATING INSTRUCTION OF LOADER



5

OPERATING INSTRUCTION OF LOADER



6