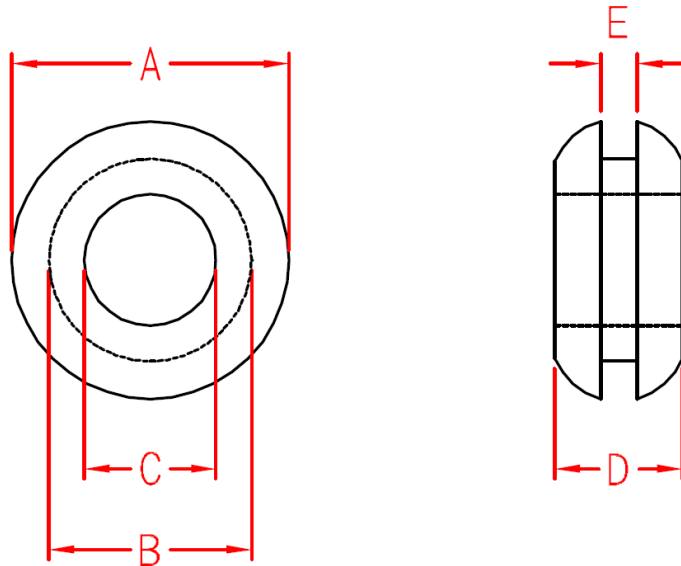


Data Sheet

Grommet (Open)



| Item No. | A | B | C | D | E |
|----------|-----------|-----------|-----------|----------|----------|
| 2705138 | 8.5±0.25 | 6±0.25 | 3±0.25 | 4.7±0.25 | 1.7±0.25 |
| 2705139 | 10.2±0.35 | 7.2±0.25 | 5±0.25 | 4.4±0.25 | 1.7±0.25 |
| 2705140 | 13.3±0.35 | 10±0.35 | 6.4±0.25 | 4.7±0.25 | 1.7±0.25 |
| 2705141 | 15.5±0.35 | 11±0.35 | 7.8±0.25 | 9.0±0.25 | 3±0.25 |
| 2705142 | 19.5±0.35 | 13.9±0.35 | 10.5±0.35 | 6.4±0.25 | 3.4±0.25 |
| 2705143 | 23.7±0.45 | 20.1±0.45 | 15.5±0.35 | 6.1±0.25 | 1.7±0.25 |
| 2705144 | 29.9±0.45 | 25.1±0.45 | 18.9±0.35 | 7.2±0.25 | 1.5±0.25 |
| 2705145 | 38.1±0.45 | 31.7±0.45 | 25±0.45 | 7.8±0.25 | 1.5±0.25 |

- Material: P.V.C