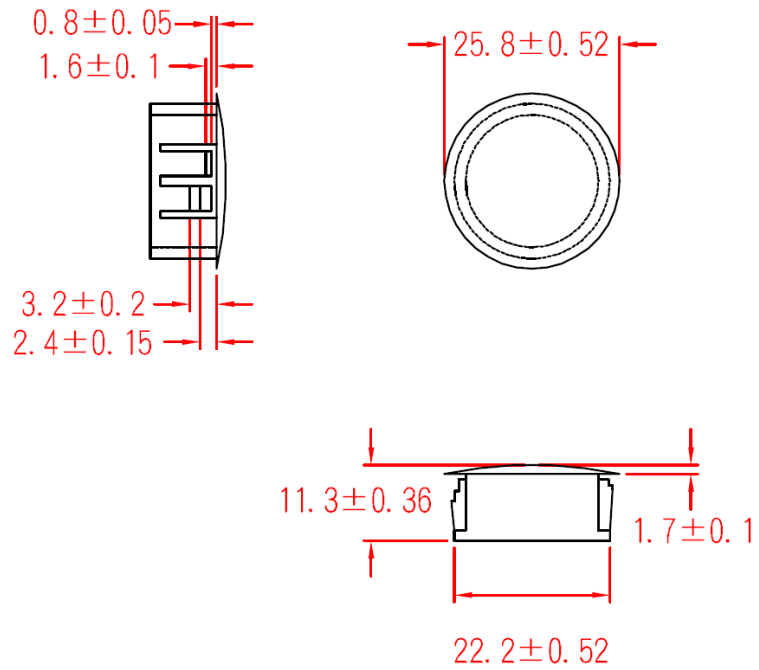


Data Sheet

Hole Plug



- Material: Nylon 66
- UL 94V-2