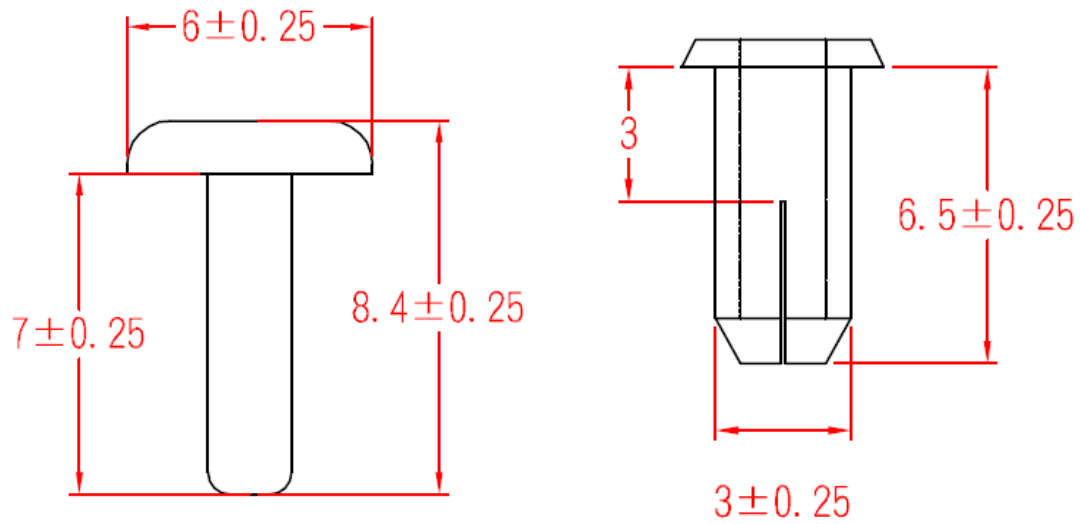


Data Sheet

Snap Rivet



- Material: Nylon 66
- UL 94V-2