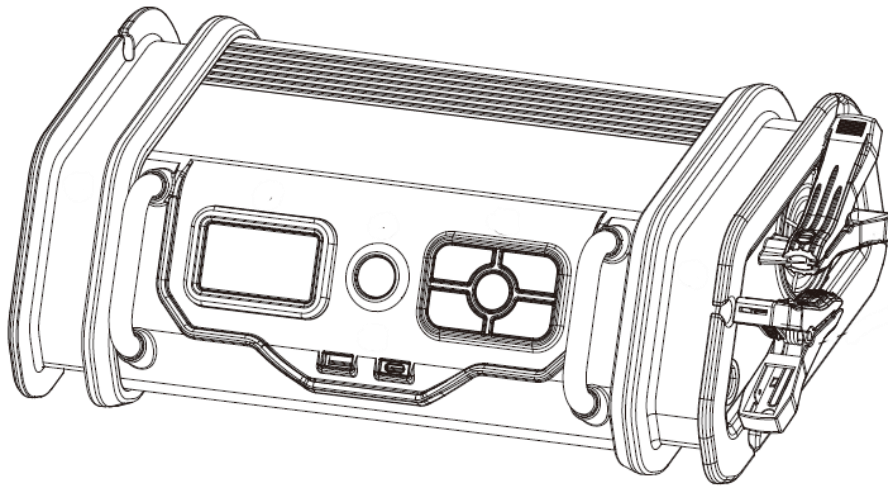


Technaxx® * Original operating instructions

10A Battery Charger with Air Compressor TX-193

Before using the appliance for the first time, please read the instructions for use and safety information carefully.



Service phone No. for technical support: 01805 012643* (14 cent/minute from German fixed-line and 42 cent/minute from mobile networks).

Free Email: **support@technaxx.de**

*The support hotline is available Mon-Fri from 9 am to 1 pm & 2 pm to 5 pm.

Keep this user manual for future reference or product sharing carefully. Do the same with the original accessories for this product. In case of warranty, please contact the dealer or the store where you bought this product.

Enjoy your product * Share your experience and opinion on one of the well-known internet portals.

Table of contents

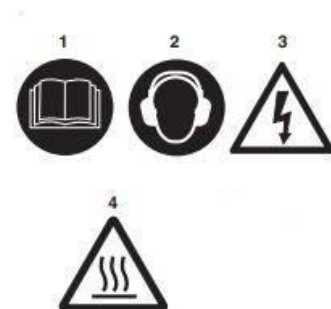
| | |
|---------------------------------------|----|
| Danger! | 2 |
| Hints..... | 3 |
| Safety Instructions | 3 |
| Additional safety instructions | 4 |
| Features..... | 4 |
| 10A Battery Charger | 4 |
| Air Compressor | 4 |
| Product overview | 5 |
| Control panel | 5 |
| Display | 6 |
| Specifications | 6 |
| Connection the air hose and Vent..... | 7 |
| Operation..... | 7 |
| Internal safety devices..... | 9 |
| Cleaning and maintenance | 9 |
| Declaration of conformaty | 10 |
| Disposal | 10 |

Danger!

When using the equipment, a few safety precautions must be observed to avoid injuries and damage. Please read the complete operating instructions and safety regulations with due care. Keep this manual in a safe place, so that the information is available at all times. If you give the equipment to any other person, hand over these operating instructions and safety regulations as well. We cannot accept any liability for damage or accidents which arise due to a failure to follow these instructions and the safety instructions.

Explanation of the symbols

1. Danger! - Read the operating instructions to reduce the risk of injury.
2. Caution! Wear ear-muff s. The impact of noise can cause damage to hearing.
3. Beware of electrical voltage!
4. Beware of hot parts



Hints

- The device is intended exclusively for private and not for commercial use.
- Only use this device as described in this user manual.
- Do not place any part of this device in water or any other liquid.
- Do not handle the device with wet hands.
- When disconnecting the cable, always pull at the plug. Do not pull on the cable itself.
- Do not let the cord on the edge of a table or work surface.
- Prevent it comes into contact with hot surfaces.
- Keep it away from heat sources to avoid deformation of plastic parts.

Safety Instructions

- Children are not allowed to play or use the equipment.
- Unless supervised, children are not allowed to clean the equipment and carry out user-level maintenance work.
- Any errors made in following the safety regulations and instructions may result in an electric shock, fire and/or serious injury.
- The equipment and packaging material are not toys.
- Do not let children play with plastic bags, foils or small parts.
- There is a danger of swallowing or suffocating!
- The device is intended only for private use.
- Only operate the product indoors
- Keep children and bystanders away from your work area.
- Do not use the charger in a damp or wet environment.
- Ensure that there is sufficient lighting.
- Do not expose the charger to direct sunlight, rain or snow.
- Do not use the charger near explosive gases or liquids.
- Wear suitable work clothing.
- Keep the item in a dry, safe place out of the reach of children.
- Do not carry the item by the cable and do not pull on the cable to pull the plug out of the socket.
- the plug from the socket. Protect the cable from heat, oil and sharp edges.
- Before use, make sure that the charger and all cables are in perfect condition.
- If the cable is damaged, have it replaced by an authorised specialist workshop.
- Do not attempt to carry out any repairs yourself.
- Always disconnect the item from the mains when not in use.
- It is essential that the alligator clips do not touch each other when the charger is connected to the mains.
- Danger of short circuit!
- Do not charge any frozen batteries. Never clean your clothes with the compressed air.
- Never direct the compressed air at other persons.
- Keep all the ventilation slots clean.
- Take care not to draw in dust or similar contaminants with the compressor.
- Ensure that the compressor cools down for 20 minutes after it has run for 10 minutes.

Additional safety instructions

When charging lead-acid batteries, flammable gases are produced, so avoid open flames. • Only use the charger in a well-ventilated room.

• The charger must not be used in the vehicle or under the closed engine bonnet. • Always connect the alligator clips to the battery terminals before connecting the charger to the mains. • To stop charging, first disconnect the mains plug and then remove the alligator clips from the battery terminals. • Never allow battery acid to get on your clothes or skin. Otherwise rinse the affected areas with plenty of water. • In the event of eye contact, seek immediate, medical attention.

Features

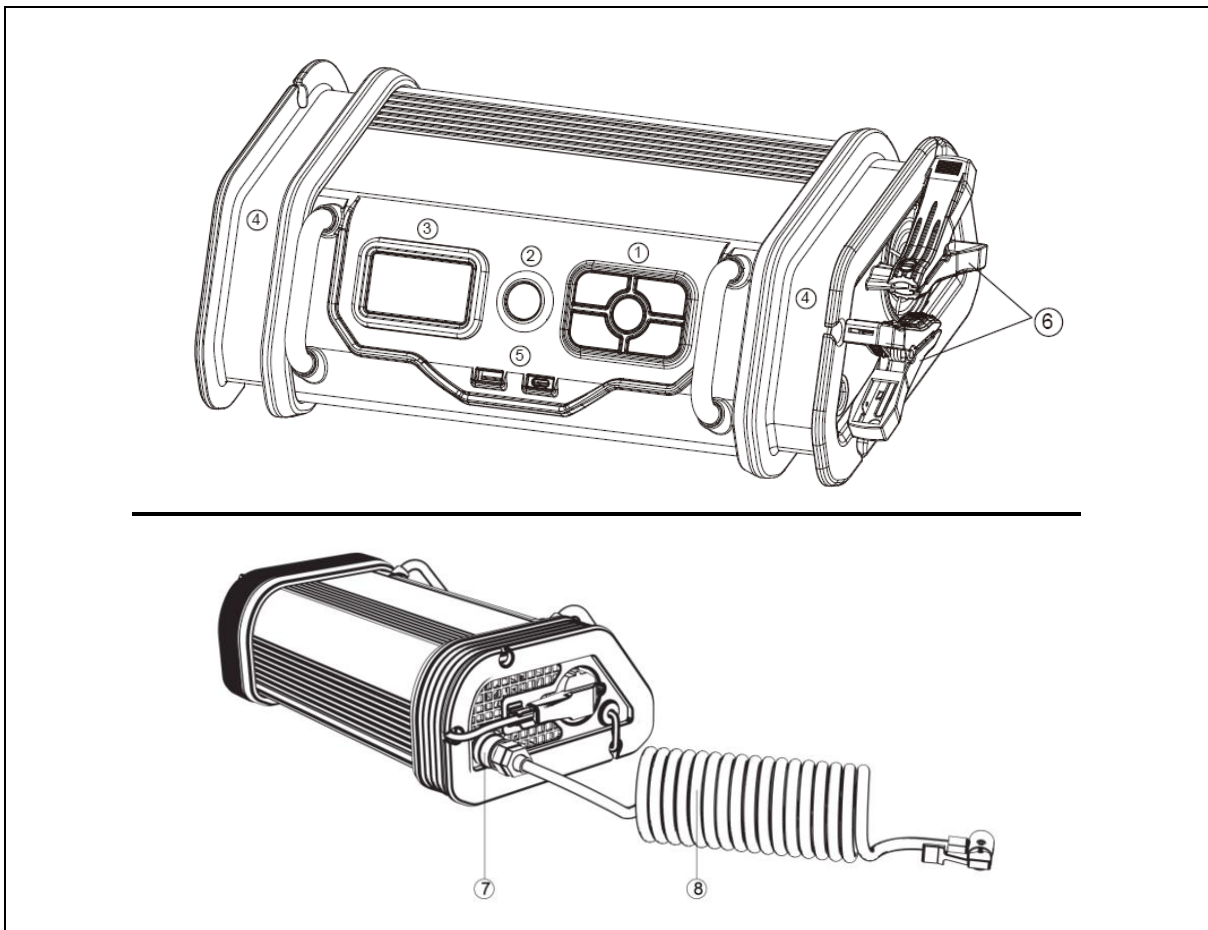
10A Battery Charger

- Can load AGM, Wet and Gel Batteries (user selectable)
- 6V or 12 V Batteries (the voltage gets selected automatically)
- Charging current at 6V: 1, 3 or 5A (user selected)
- Charging current at 12V: 1, 5 or 10A (user selected)
- Protection: short circuit, reverse polarity, overheating and overcharging protection.

Air Compressor

- Max. pressure 120PSI (8bar)
- Pressure unit in bar, PSI, KPA
- Pressure adjustment and auto off if pressure is reached
- 90° adapter (different Adapter included see picture C)

Product overview



| | | | |
|---|-----------------------|---|---------------------------|
| 1 | Control panel | 4 | Cable Storage |
| 2 | LED Light | 5 | USB ports |
| 3 | LC Display | 6 | Crocodile clamps (+/-) |
| 7 | Connector of Air Hose | 8 | Air Hose with 90° Adapter |

Control panel

| | | |
|---------|--|---|
| | Button | Function |
| | On/Off | Start or stop the chosen function |
| | Lamp Charger Compressor | Hold for ~ 2sec. switch on the LED Press 1x change from charger to compressor mode |
| | Enter | Change the batterie type or pressure unit |
| + and - | Change the loading current or pressure | |

Display

| | | |
|--|---|---|
| | 1 | Indicates the battery system |
| | 2 | Indicates the capacity status of the battery (during loading) |
| | 3 | Indicates the batterie Voltage |
| | 4 | Indicates the pressure units |
| | 5 | The digits indicate the batterie voltage, status information of the charger, e.g. (Err) for wrong connection or the pressure. |



Specifications

| | |
|-------------------------|---|
| Input | 230V~50-60Hz |
| Charging current at 6V | 1A, 3A or 5A (select by user) |
| Charging current at 12V | 1A, 5A or 10A (select by user) |
| Type of Batteries | AGM, Wet, Gel |
| Power cord | Approx.. 180cm |
| Loading cable | Approx.. 180cm |
| Air hose | Aproxx. 3m (stretched) |
| Max. pressure | ~8 bar |
| Adapter | Sports needle, inflation Nozzle |
| LED | At front |
| USB | 1x USB-A 5V/ 2,4A, 1x USB-C 5V 3A, 9V 1.5A or 12V 1A (max. 18W) |

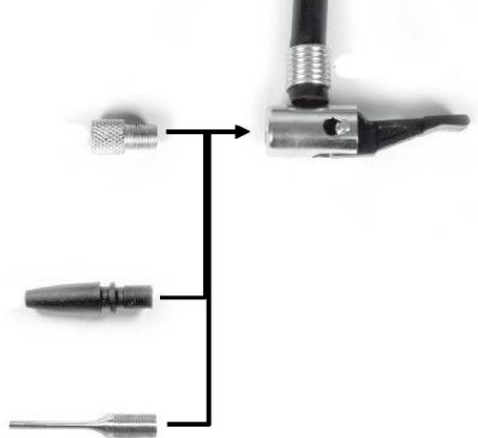
Connection the air hose and Vent

To connect the Air hose (8) with the connector (7) push the outer ring of part (7) back, press the air hose (8) into the connector (7) and let the outer ring come back to original position. The Air hose (8) is now securely connected to the unit. To remove Air hose (8) push the outer ring of the connector (7) back (in direction of the unit) the air hose (8) will get released from the air connector (7).

Connect the 90° Adapter to the vent

| | | | |
|--|--|---|---|
| A | Press the Vent adapter in direction of the arrow | B | Move the lever 90° in the direction of the arrow. |
|  | |  | |

Connect the adapter Picture C

| | |
|---|--|
|  | 1 st adapter is for bicycle vents, depending the bicycle the adapter must be screwed on the bicycle first, then connect the 90° Adapter |
| | 2 nd adapter is for e.g. air mat, connect the adapter like shown on picture A and B |
| | 3 rd Adapter is a Ball needle connect the adapter like shown on picture A and B |

Operation

Air compressor

After connecting the product to main source, the item starts in batterie-loader mode. To change to air-compressor mode press the button "Lamp Charger, Compressor" one time. The Information on display change to pressure units.

Select the pressure unit of your wish by pressing the "Enter" button.

Chose the pressure, e.g. 2.40 bar by pressing the "+" or "-" button.

! Attention: This compressor is designed to increase the tyre pressure, if you want to decrease the tyre pressure you have to do this manually, e.g. at the valve.
Connect the air hose to the vent and press the “On/Off” button to start the Air-compressor. The unit stops automatically if the selected pressure is reached.

Information: The pressure indication in the display has an accuracy of $\sim \pm 0.1$ bar. The display tolerance depends on various factors; depending on the intended use, the pressure should be checked with a calibrated pressure tester.

Battery-Charger

Foreword

To protect the on-board electronics, the car battery can be disconnected before charging. The correct sequence is important here: first unscrew the black - in some cases also blue - cable from the negative terminal and only then remove the red cable from the positive terminal.

All batteries have a limited service life that depends on how the battery is maintained, among other things. Below 10.5 V a vehicle battery (lead battery) is regarded as exhaustively discharged and may suffer irreversible damage if stored for a long period. The charger is unable to charge batteries that are damaged or defective (e.g. cell short circuit).

The Battery charger was designed to load different types of Batteries like

- WET (operates by means of a liquid electrolyte solution)
- AGM (Absorbent Glass Mat)
- GEL (lead-acid battery that is valve regulated)

The equipment must not be used for charging lithium iron phosphate rechargeable batteries (e.g. LiFePO₄) or other lithium rechargeable batteries.

The equipment is to be used only for its prescribed purpose. Any other use is deemed to be a case of misuse. The user / operator and not the manufacturer will be liable for any damage or injuries of any kind caused as a result of this.

Before starting the loading, process make sure the batterie type you chose correspond with the batterie you load.

Charge a WET Battery:

- Release or remove the battery stoppers (if fitted) from the battery.
- Check the acid level in the battery. If necessary, top up the battery with distilled water (if possible). Important! Battery acid is aggressive. Rinse off any acid splashes thoroughly with lots of water and seek medical advice if necessary.
- First connect the red charging cable to the positive (+) pole of the battery.
- Then connect the black charging cable to the negative (-) pole of the battery.
- Plug in the charger to mains
- Select the battery type wet with the Enter button
- Select the loading current with + or – button
- Press On/Off button to start charging.

The display shows now the Voltage and the capacity of the battery. The Battery-charger stop if the Battery is fully loaded.

Charge AGM or GEL Battery:

- First connect the red charging cable to the positive (+) pole of the battery.
- Then connect the black charging cable to the negative (-) pole of the battery.
- Plug in the charger to mains
- Select the battery type AGM or GEL with the Enter button
- Select the loading current with + or – button
- Press On/Off button to start charging.

The display shows now the Voltage and the capacity of the battery. The Battery-charger stop if the Battery is fully loaded.

Important! Charging may create dangerous explosive gas and therefore you should avoid spark formation and naked flames whilst the battery is charging. There is a risk of explosion! It is essential that you ventilate the rooms well.

Finishing charging the battery

Pull the power plug out of the socket outlet. • First disconnect the black charging cable from the bodywork. • Then release the red charging cable from the positive pole on the battery. • Important! In case of positive earthing, first disconnect the red charging cable from the bodywork and then the black charging cable from the battery. • Screw or push the battery stoppers back into position (if there are any).

Important! If the mains plug is pulled out but the charger cables are still connected to the battery, the charger will draw off a small amount of electricity from the battery. We therefore recommend that you always completely remove the charger from the battery when not in use.

Internal safety devices

The charger is equipped with electronic protection against overload, short circuit and swapped poles. A short circuit on the terminals or swapped poles (+/- terminals at the battery poles the wrong way round) is indicated by the error message “ERR” in the display.

Maintenance and care of the battery

Ensure that your battery is always fitted securely. • A perfect connection to the cable network of the electrical system must be ensured at all times. • Keep the battery clean and dry. Apply a thin coating of grease to the connection terminals using an acid-free, acid-resistant grease (Vaseline). • Check the level of the acid in batteries that are not maintenance-free versions approximately every 4 weeks and top up with distilled water if necessary.

Cleaning and maintenance

Danger! Always pull out the mains power plug before starting any cleaning work. Keep all safety devices, air vents and the housing free of dirt and dust as far as possible. Wipe the equipment with a clean cloth or blow it with compressed air at low pressure. • We recommend that you clean the device immediately each time you have finished using it.

- Clean the equipment regularly with a moist cloth and some soft soap. Do not use cleaning agents or solvents; these could attack the plastic parts of the equipment. Ensure that no water can seep into the device. The ingress of water into an electric tool increases the risk of an electric shock.
- The charger should be placed in a dry room for storage. Any corrosion must be cleaned off the charging terminals.

Declaration of conformaty



The EU declaration of conformity can be obtained from the address given www.technaxx.de/ (in bottom bar “Konformitätserklärung”).

Disposal



Dispose of packaging. Dispose of the packaging according to type. Dispose of cardboard and carton in the waste paper foils to the recyclables collection.



Dispose of old appliance (Applicable in the European Union and other European countries with separate collection (collection of recyclable materials) Old appliances must not be disposed of with household waste! If the product can no longer be used, every consumer is legally obliged to dispose of old appliances separately from household waste, e.g. at a collection point in his or her municipality or district. e.g. at a collection point in his or her municipality/borough. This ensures that old appliances are recycled properly and that negative impacts on the environment are avoided. This is why electrical appliances are marked with the symbol shown here.

Made in China
Vertrieben durch:
Technaxx Deutschland GmbH & Co. KG
Konrad-Zuse-Ring 16-18,
61137 Schöneck Germany