

SUBSCRIBE FOR MORE INFORMATION
关注 DJI 大疆创新及时获取最新资讯

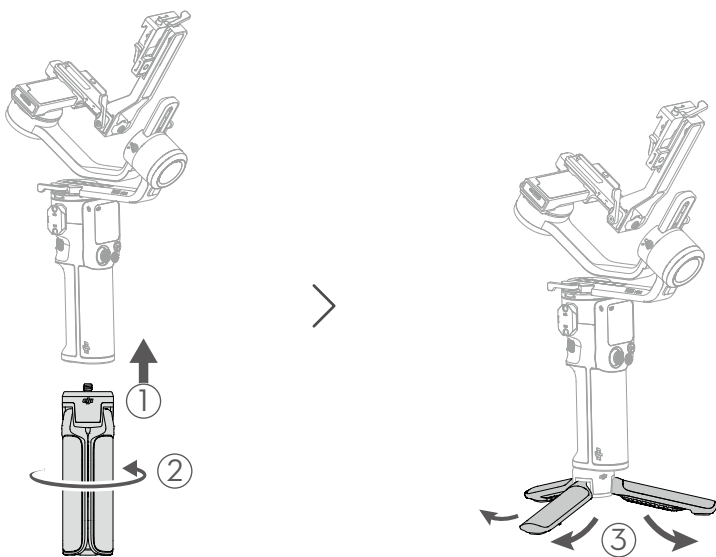


DJI is a trademark of DJI.
Copyright © 2022 DJI All Rights Reserved.

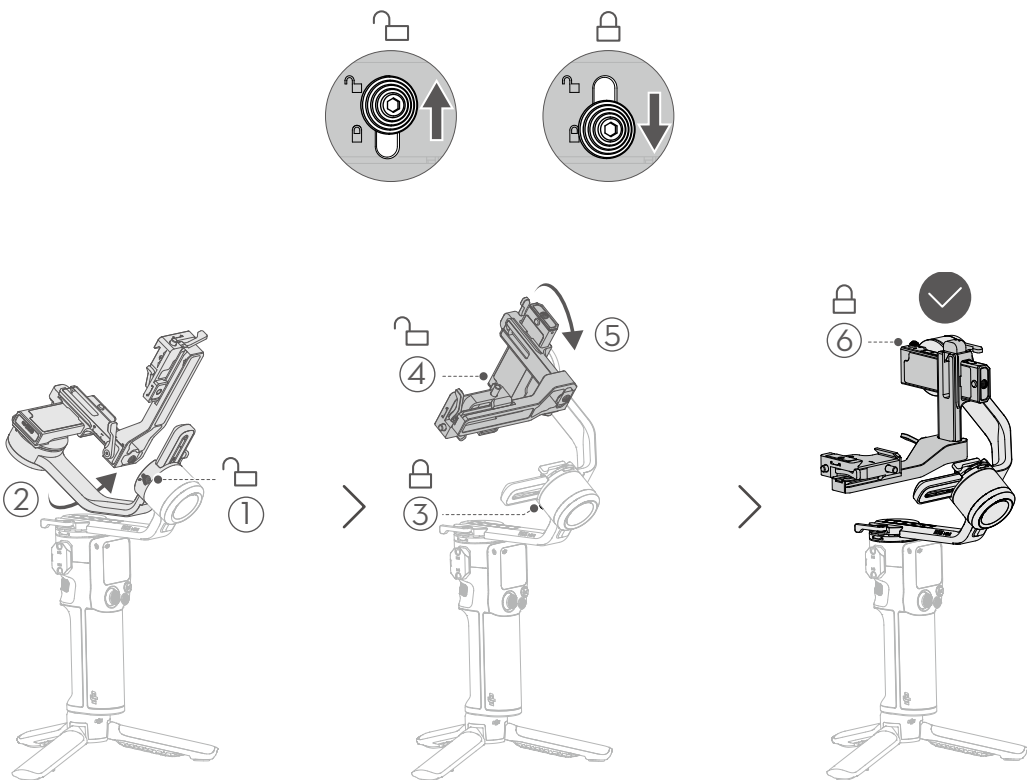


YCBZS0022203

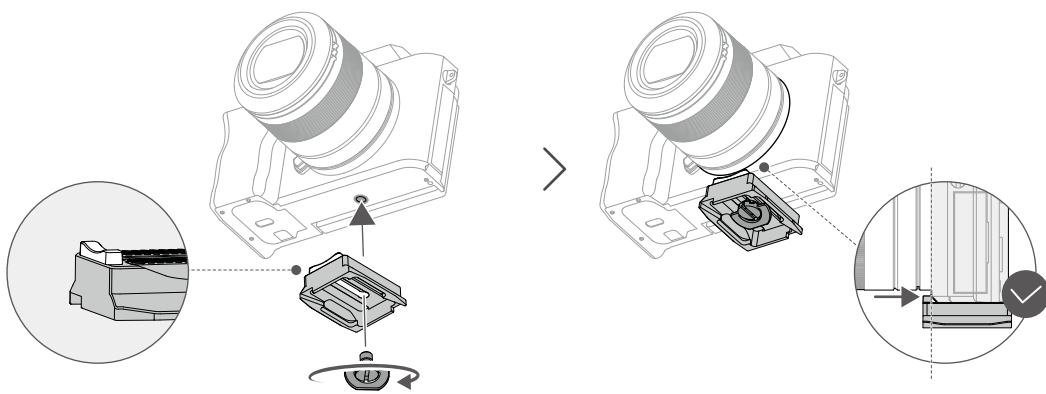
1



2

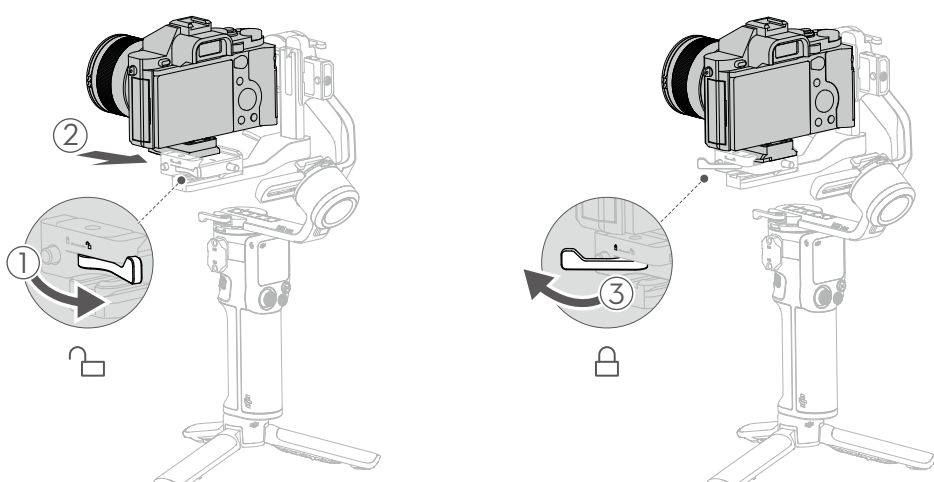


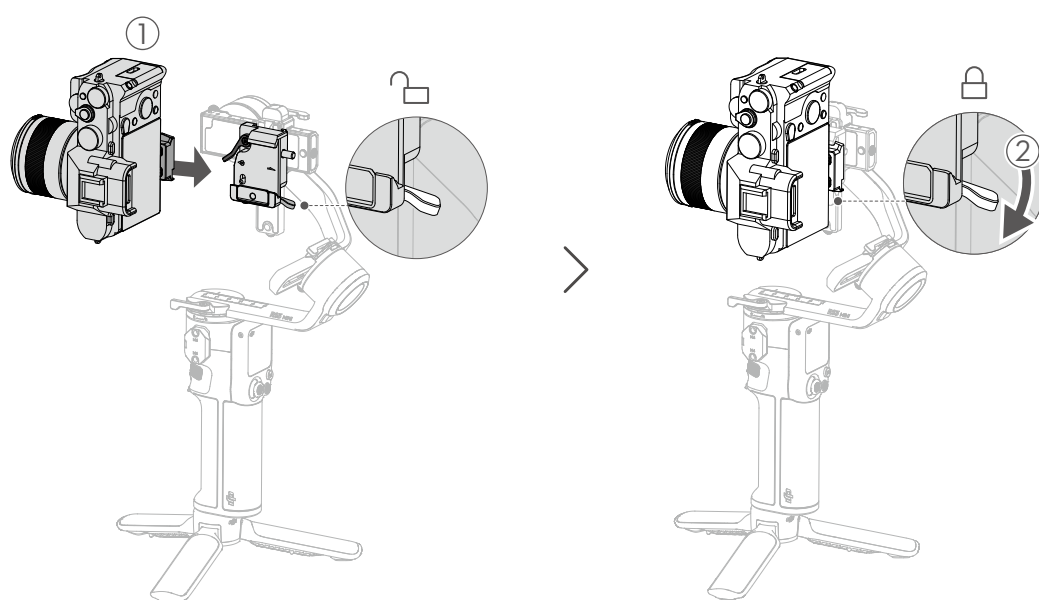
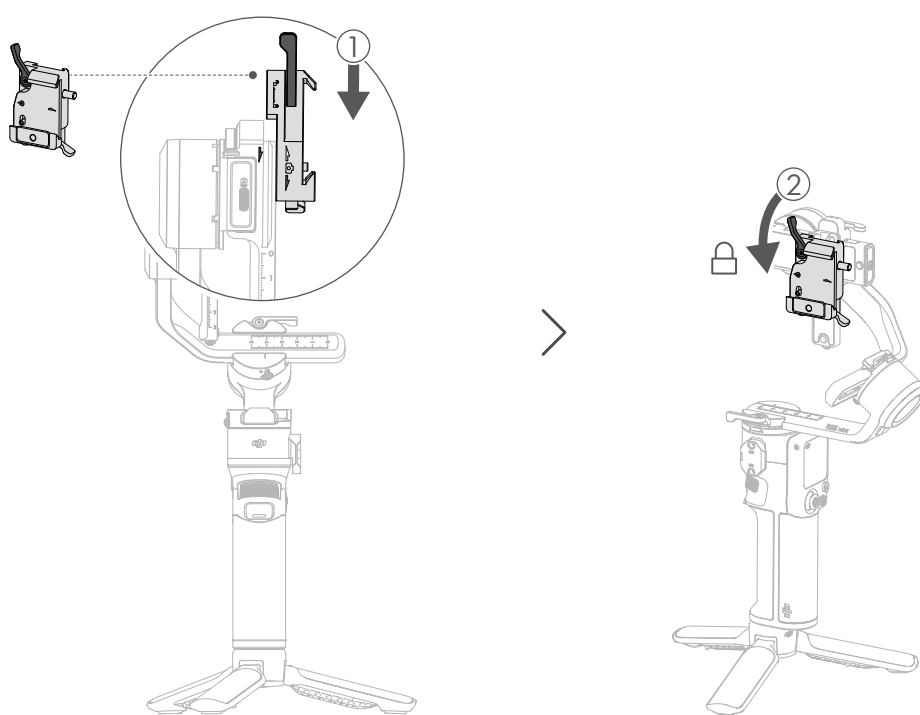
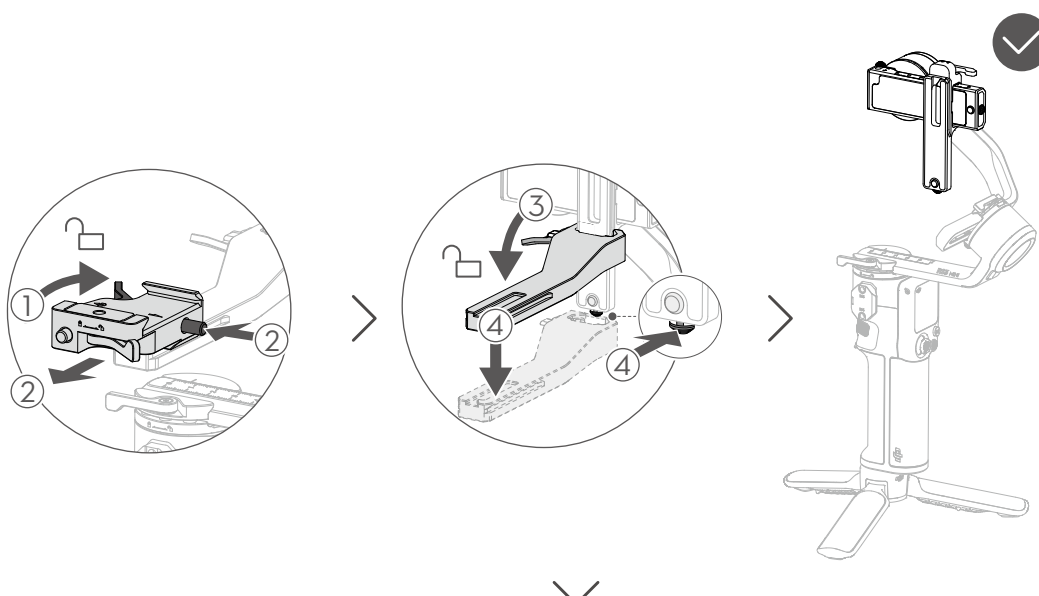
3



4

Horizontal Shooting / 横拍





5

