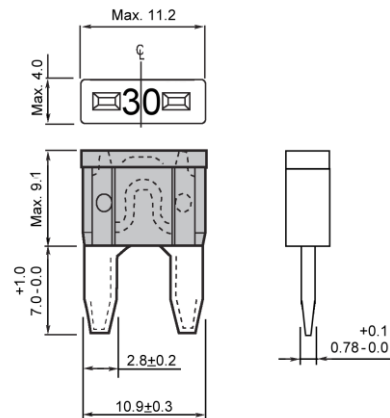


Automotive Fuse --- Fast-Acting Type

ASP-M-Mini Blade Fuse

Designed for the high voltage automotive industry. The ASP-M Blade Type Fuse can be used in 58 volt environment.

The ASP-M doesn't only intend to protect the automotive wire and automotive apparatus but also the UPS equipment.



Unit : mm

Electrical Characteristics :

TIME CURRENT CHARACTERISTICS			
% of Rating	Current Rating	Opening Time	
		Minimum	Maximum
110%	2 – 30 Amp	100 Hours	
135%	2 – 30 Amp		1800 Sec
200%	2 – 30 Amp		5 Sec

Patented pending in Taiwan, Canada and U.S.A.

Color – Coding: Blade Fuses are color-coded for easy amperage identification.

Material: Fuse Body : Insulating Plastic.
Fuse Element : Zinc Alloy

Ordering Information:

Catalogue Number	Ampere Rating	Voltage Rating	Color Code	Nominal Resistance Cold Ohms
ASP-M02	2	58	Gray	0.056
ASP-M03	3	58	Violet	0.034
ASP-M04	4	58	Pink	0.024
ASP-M05	5	58	Tan	0.018
ASP-M07	7.5	58	Brown	0.011
ASP-M10	10	58	Red	0.0073
ASP-M15	15	58	Blue	0.0045
ASP-M20	20	58	Yellow	0.0032
ASP-M25	25	58	Natural	0.0022
ASP-M30	30	58	Green	0.0018

Average Time Current Curves

