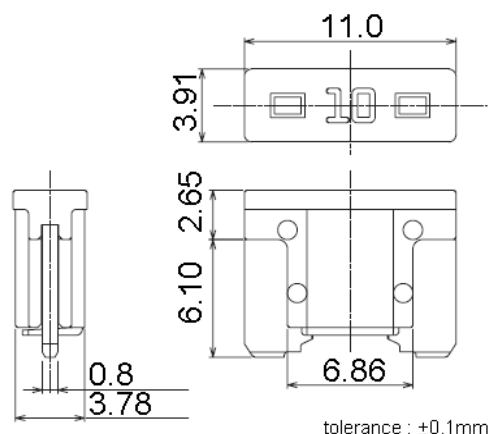


Automotive Fuse - Super mini Blade Fuse

ASM-M - Super Mini Blade Fuse

The Super mini blade fuse is designed for the new automotive industry. The fuse doesn't only intend to protect the automotive wire and automotive apparatus but also the UPS equipment.



Electrical Characteristics :

TIME CURRENT CHARACTERISTICS			
% of Rating	Current Rating	Opening Time	
		Minimum	Maximum
110%	2 – 30 Amp	100 Hours	
135%	2 – 30 Amp		1800 Sec
200%	2 – 30 Amp		5 Sec

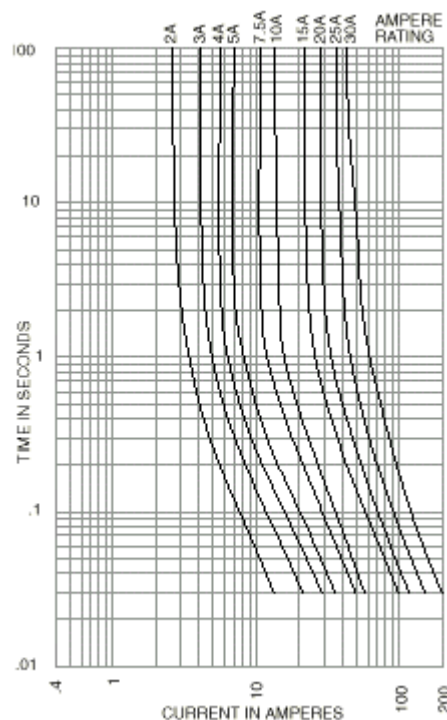
Color – Coding: Blade Fuses are color-coded for easy amperage identification.

Material: Fuse Body is made from insulating plastic
Fuse Element: Zinc Alloy

Ordering Information:

Catalogue Number	Ampere Rating	Voltage Rating	Color Code
ASM-M02	2	58	Grey
ASM-M03	3	58	Violet
ASM-M04	4	58	Pink
ASM-M05	5	58	Tan
ASM-M07	7.5	58	Brown
ASM-M10	10	58	Red
ASM-M15	15	58	Blue
ASM-M20	20	58	Yellow
ASM-M25	25	58	Natural
ASM-M30	30	58	Green

Time-Current Characteristic



HANSOR PTC

瀚新科技股份有限公司 Hansor Polymer Technology Corp.

新北市中和區連城路 222 巷 11 號 2 樓

2F, No. 11, LN.222, Liancheng Rd. Zhonghe Dist. New Taipei City, Taiwan, R.O.C. TEL:886-2-22220101 (REP.) FAX:886-2-22228080