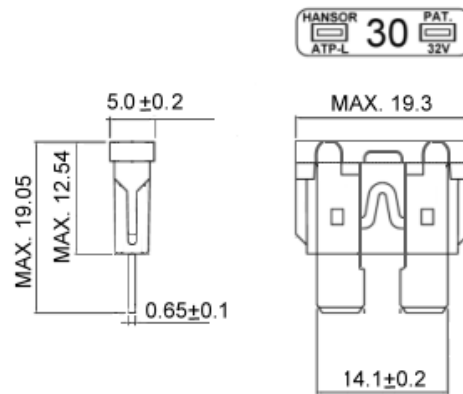


# Intelligent Fuse --- Automotive Blade Fuse

## ATP-L Intelligent Blade Fuse

Intelligent Fuse is designed with an indicating device on top which lights up when the fuse is blown further provide the easy identification for blown fuse that needs replacement inside the fuse box assembly.



Unit : mm

### Electrical Characteristics :

TIME CURRENT CHARACTERISTICS			
% of Rating	Current Rating	Opening Time	
		Minimum	Maximum
110%	2 – 40 Amp	100 Hours	
135%	3 – 40 Amp		1800 Sec
150%	2 Amp		1800 Sec
200%	2 – 40 Amp		5 Sec

Patent : Taiwan, Japan, U.S.A. and China.

Color – Coding: Blade Fuses are color-coded for easy amperage identification.

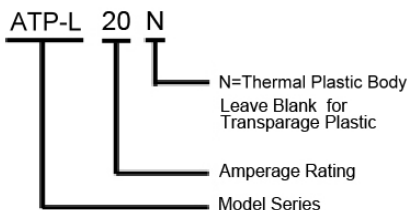
**Material:** Fuse Body is made from Semi-Transparent Thermoplastic  
Fuse Element: Zinc Alloy Tin Plated.

**Indicating Device:** Single patented Bi-Polar SMD LED device rated at 32V DC Maximum.

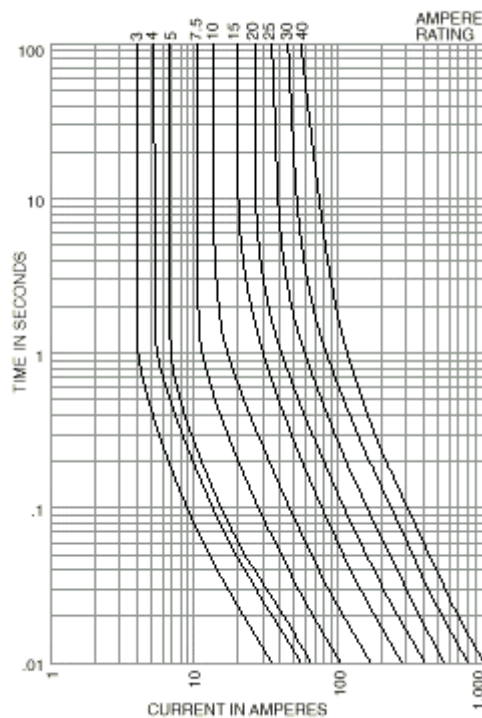
### Ordering Information:

Catalogue Number	Ampere Rating	Voltage Rating	Color Code	Nominal Resistance Cold Ohms
ATP-L02	2	32	Gray	0.055
ATP-L03	3	32	Violet	0.030
ATP-L04	4	32	Pink	0.023
ATP-L05	5	32	Tan	0.017
ATP-L07	7.5	32	Brown	0.0105
ATP-L10	10	32	Red	0.0075
ATP-L15	15	32	Blue	0.0046
ATP-L20	20	32	Yellow	0.0032
ATP-L25	25	32	Natural	0.0024
ATP-L30	30	32	Green	0.0018
ATP-L35	35	32	Blue Green	0.0016
ATP-L40	40	32	Amber	0.0013

### Part Number Example :



Time-Current Characteristic Curves—Average Melt



瀚新科技股份有限公司 Hansor Polymer Technology Corp.

新北市中和區連城路 222 巷 11 號 2 樓

2F, No. 11, LN.222, Liancheng Rd. Zhonghe Dist. New Taipei City, Taiwan, R.O.C. TEL:886-2-22220101 (REP.) FAX:886-2-22228080