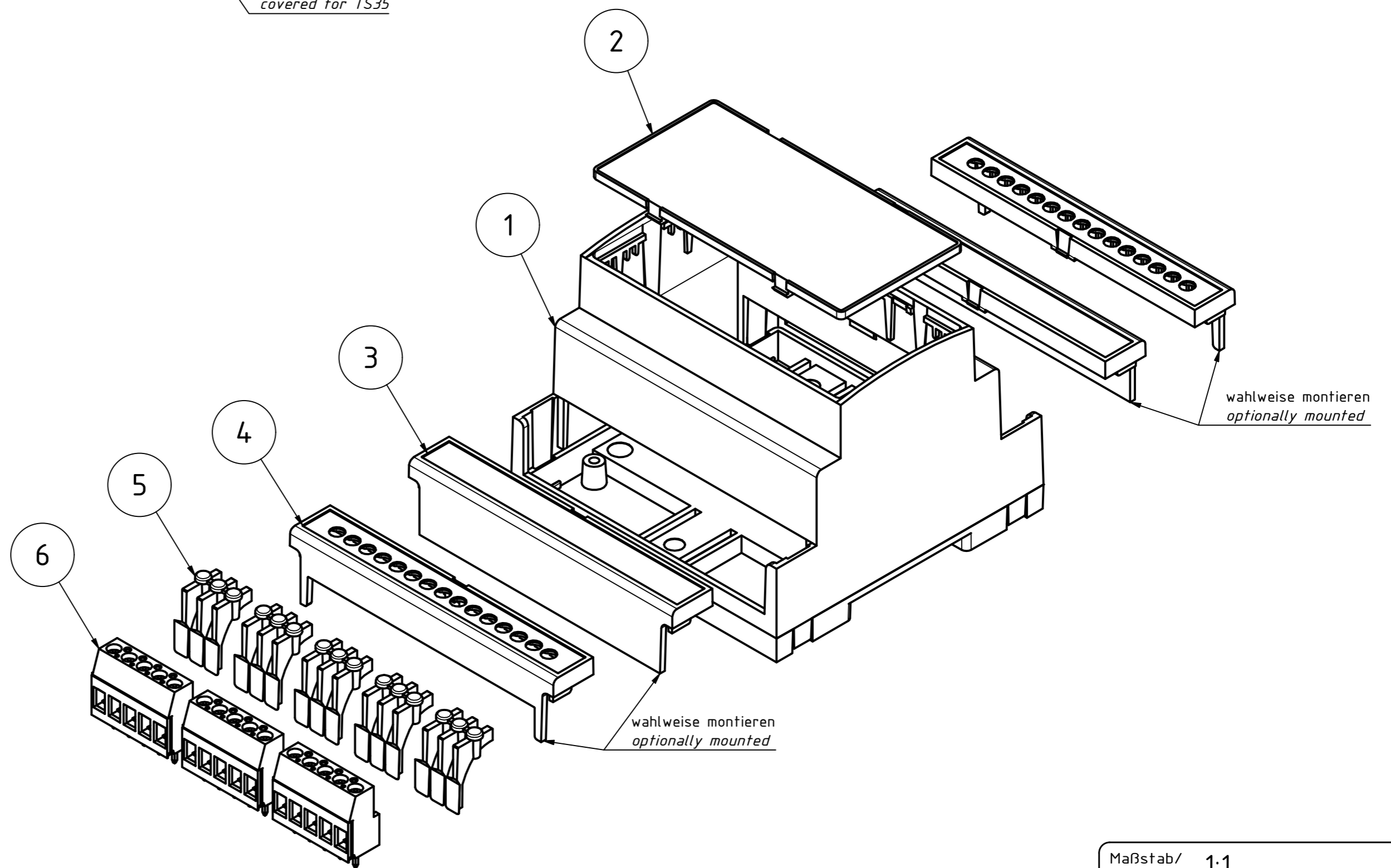
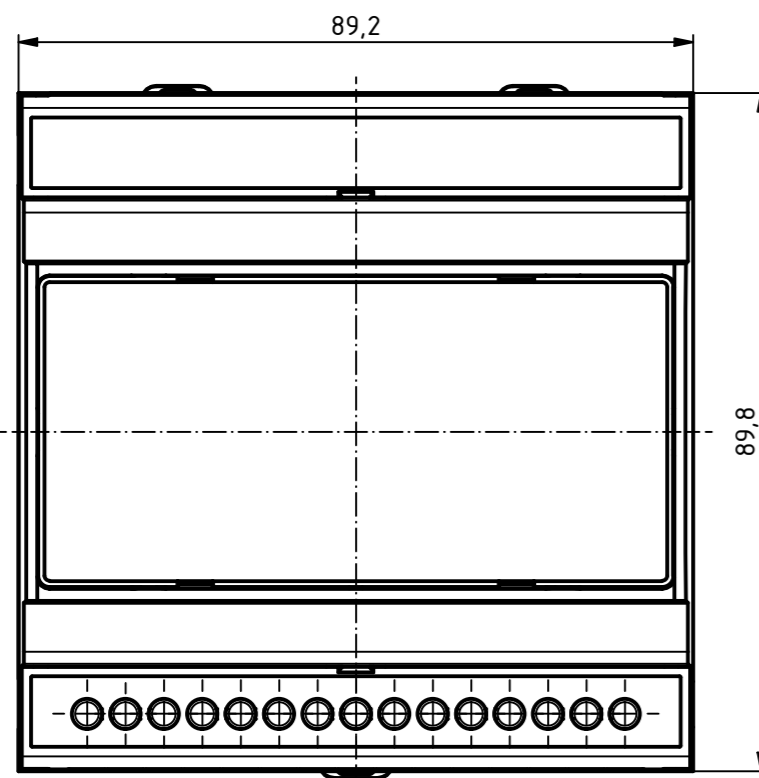
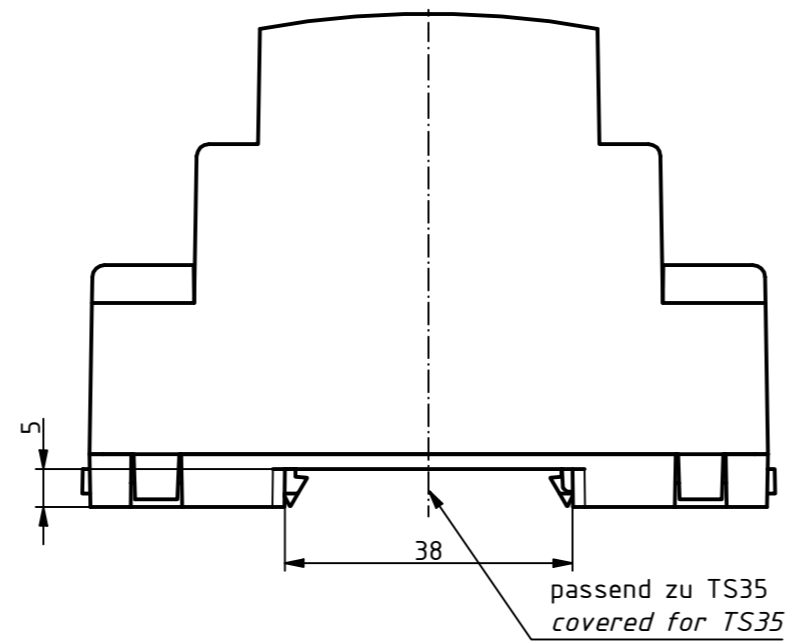
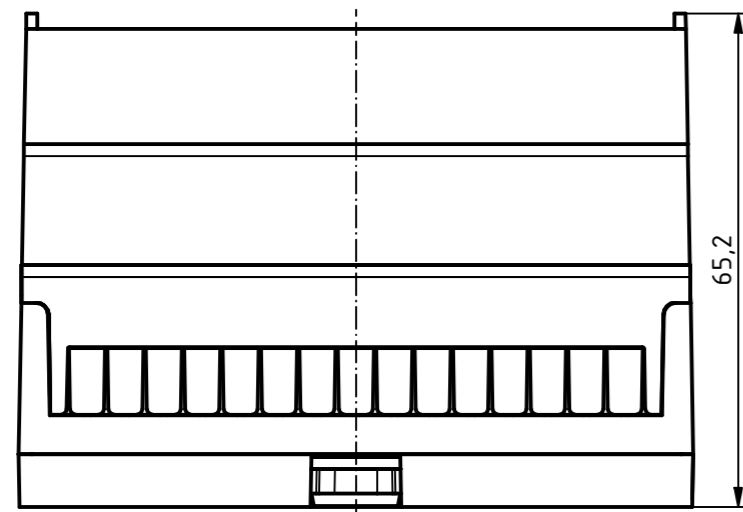
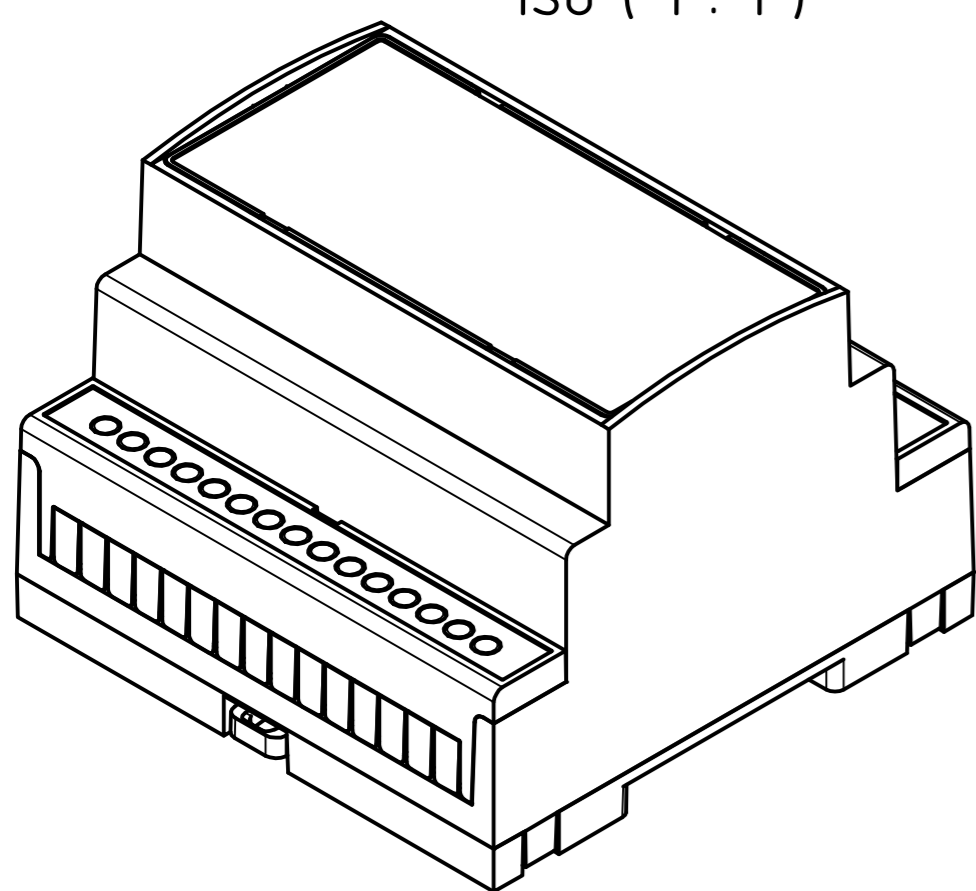


"Schutzvermerk nach DIN ISO 16016 beachten". "Please pay attention to copyright note DIN ISO 16016".



ISO (1 : 1)



Maßstab / Scale: 1:1

Zeichnungs-Nr. / Drawing-No.: 2K 5465.015.01

Artikel / Article:
CNC 87.5 Set 1
CombiNorm-Control
Katalogzg./Catalogue draw.

CNC 87.5 Set 1			
Pos. Nr.:	Art.-Nr.:	Name	Stck. / Qty.
1	65610087	CNC 87.5 Combinorm-Control / CNC 87.5 Combinorm-Control Enclosure	1
2	65621087	CNC 87.5 F Frontplatte oben / CNC 87.5 F Top Cover	1
3	65635400	CNC KA87.5-G Klemmenabdeckung geschlossen / CNC KA 87.5-G Terminal Cover Closed	2
4	65635100	CNC KA87.5-5,08 Klemmenabdeckung 5,08 Raster / CNC KA 87.5-5,08 Terminal Cover 5,08 Grid	2
5	65640100	CNC S-5,08 Abdeckstopfen für 3-polige Klemmen / CNC S-5,08 Cover Plug for 3-Pole Terminals	5
6	66005000	AKZO 700/5 - 5,08 V Anschlussklemme CN /AKZO 700/5-5,08 V Connection Terminal CN	3

A.Nr./ Alt.No.:
Datum/ Date:

DISK: 2604455.idw
Datum/Date: 12.11.2020 BSCH/JL

