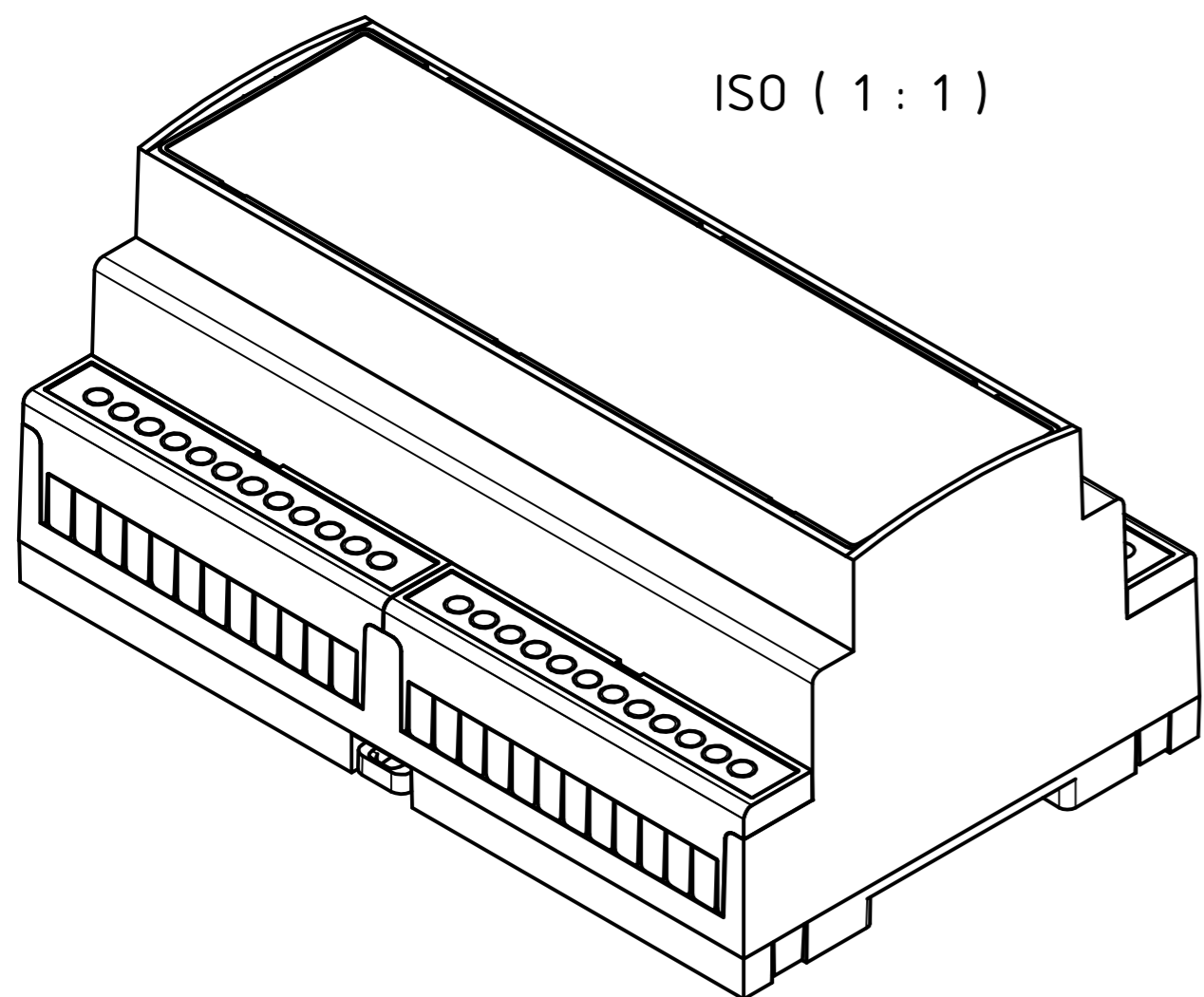
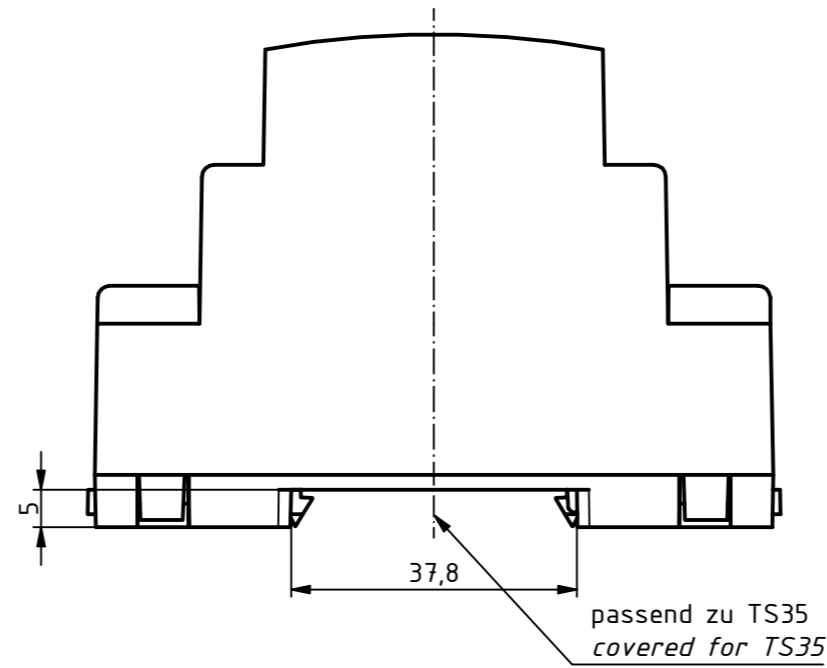
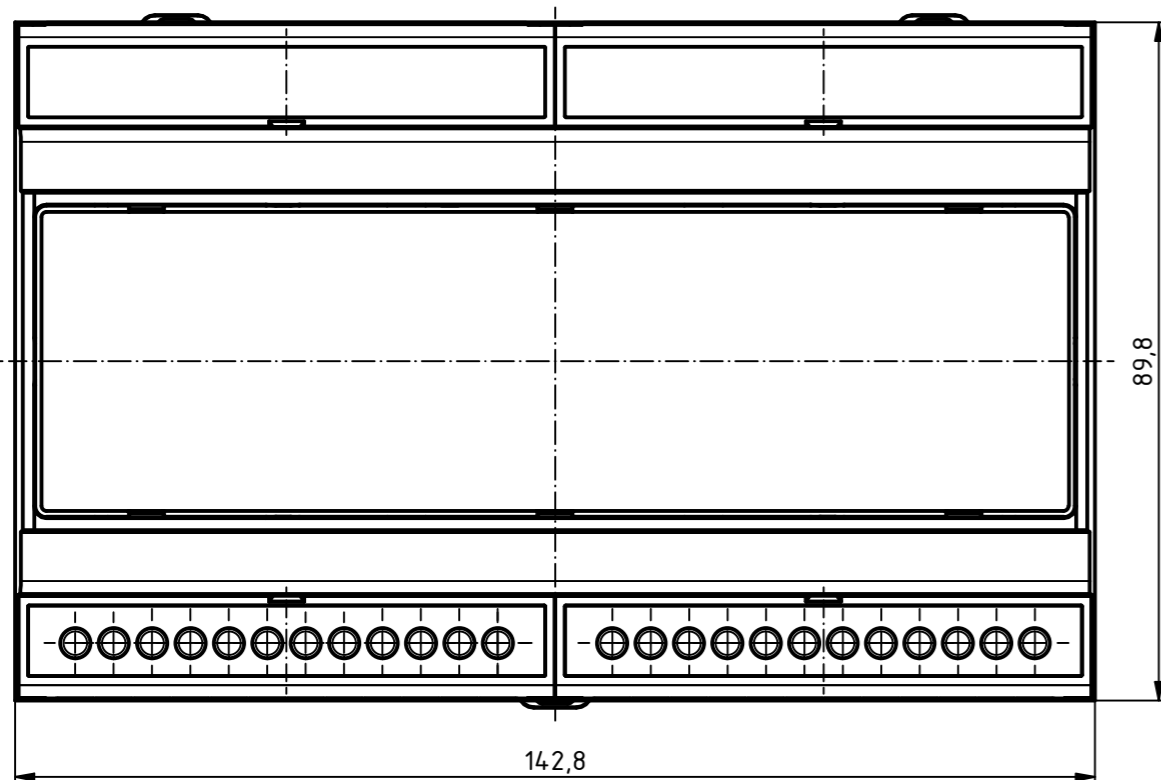
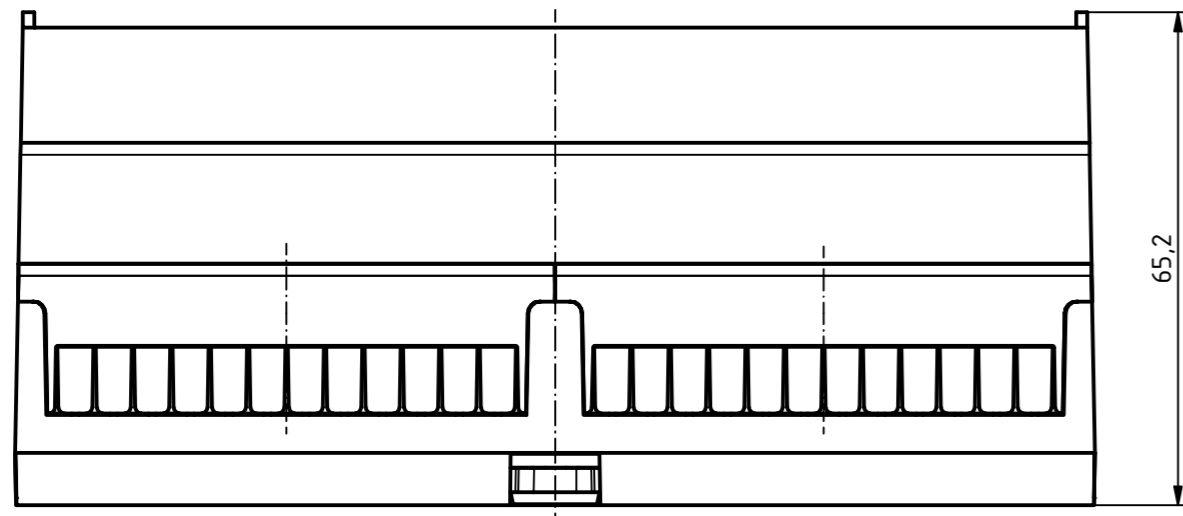
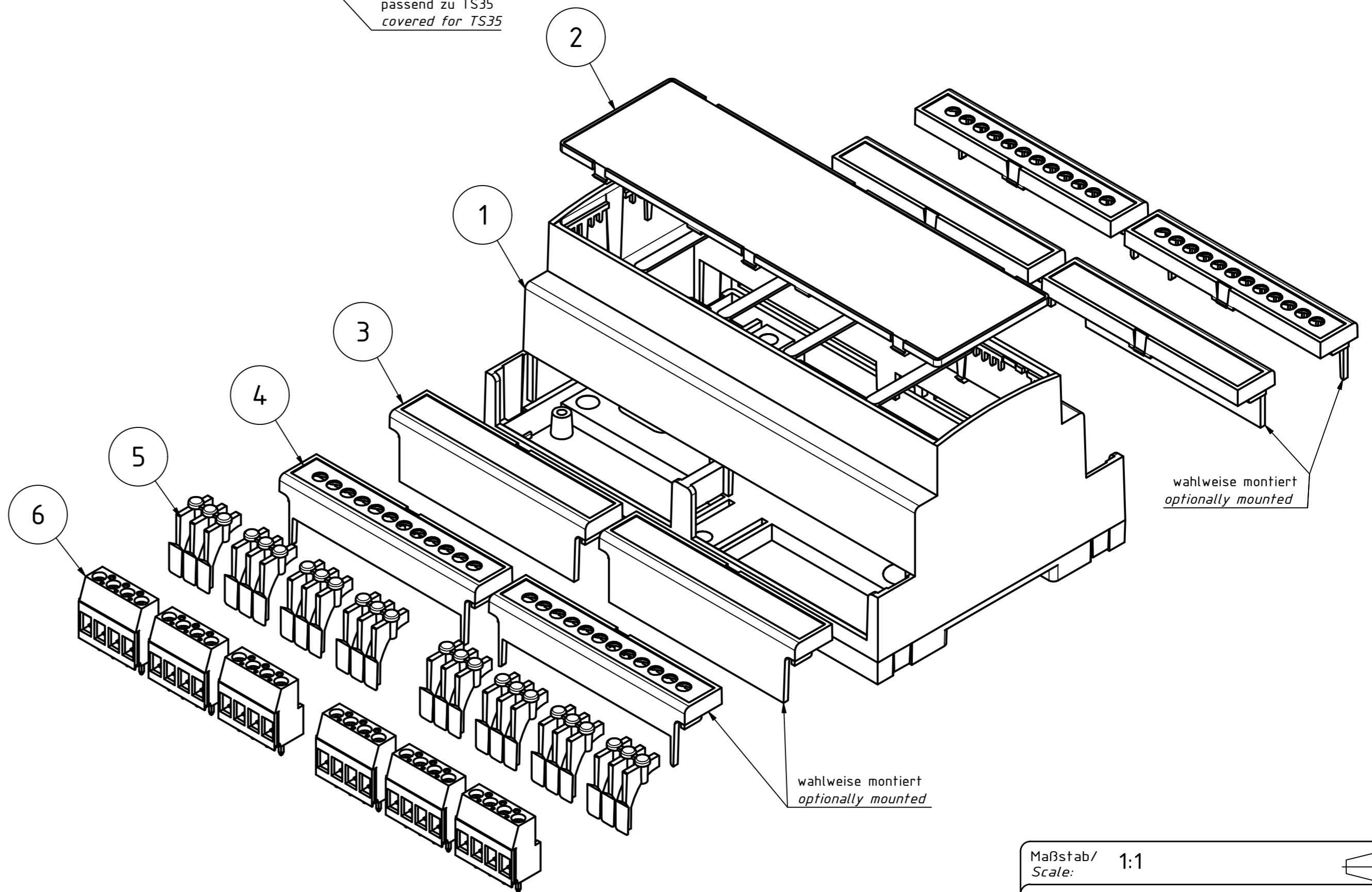


"Schutzvermerk nach DIN ISO 16016 beachten". "Please pay attention to copyright note DIN ISO 16016".



ISO ( 1 : 1 )



**CNC 140.0 Set 1**

Pos. Nr.:	Art.-Nr.:	Name	Stck. / Qty.
1	65610140	CNC 140.0 Combinorm-Control / CNC 140.0 Combinorm-Control Enclosure	1
2	65621140	CNC 140.0 F Frontplatte oben / CNC 140.0 F Top Cover	1
3	65634400	CNC KA70.0-G Klemmenabdeckung geschlossen / CNC KA 70.0-G Terminal Cover closed	4
4	65634100	CNC KA70.0-5,08 Klemmenabdeckung 5,08 Raster / CNC KA70.0-5,08 Terminal Cover 5,08 Grid	4
5	65640100	CNC S-5,08 Abdeckstopfen für 3-polige Klemmen / CNC S-5,08 Cover Plug for 3-Pole Terminals	8
6	66004000	AKZO 700/4 - 5,08 V Anschlussklemme CN /AKZO 700/4-5,08 V connection terminal CN	6

Maßstab / Scale: 1:1

Zeichnungs-Nr. / Drawing-No.: 2K 5465.042.01

Artikel / Article: CNC 140.0 Set 1  
CombiNorm-Control  
Katalogzsg./Catalogue draw.

A.Nr. / Alt.No.: Datum / Date:

DISK: 2604512.idw  
Datum/Date: 06.07.2021 JL