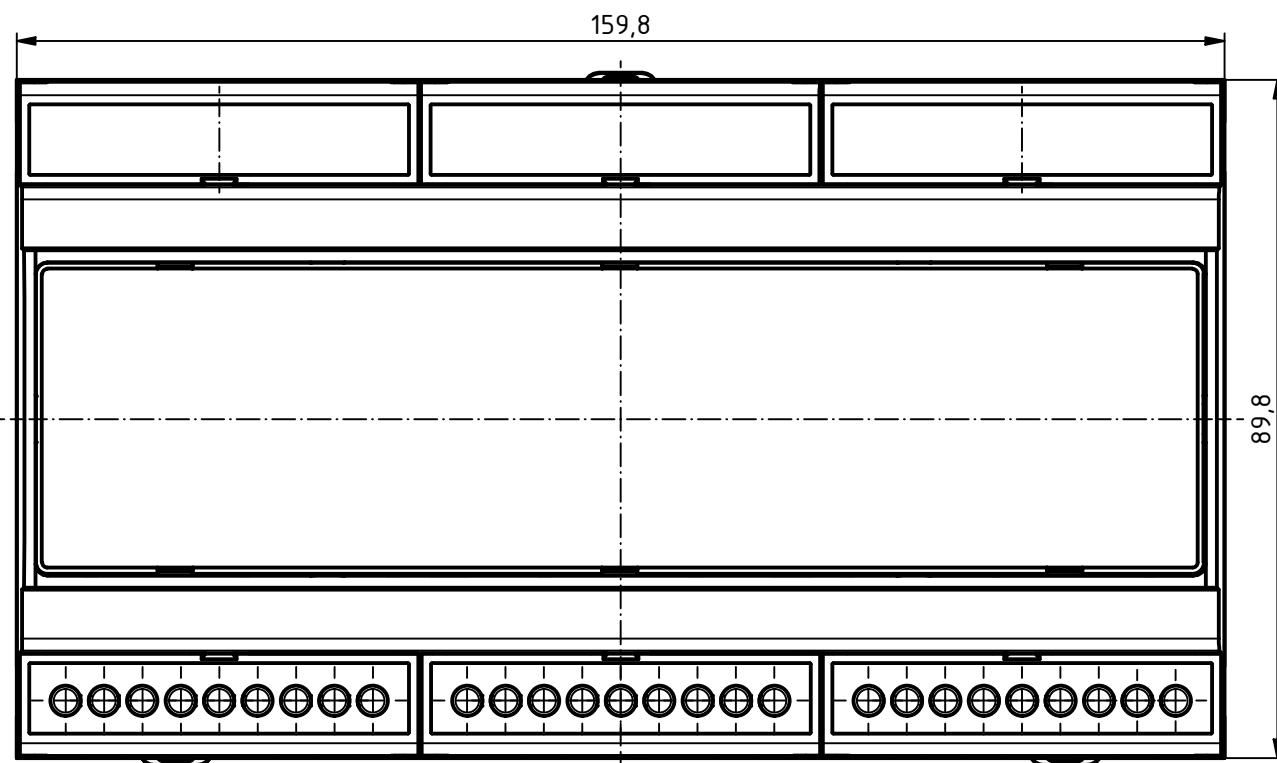
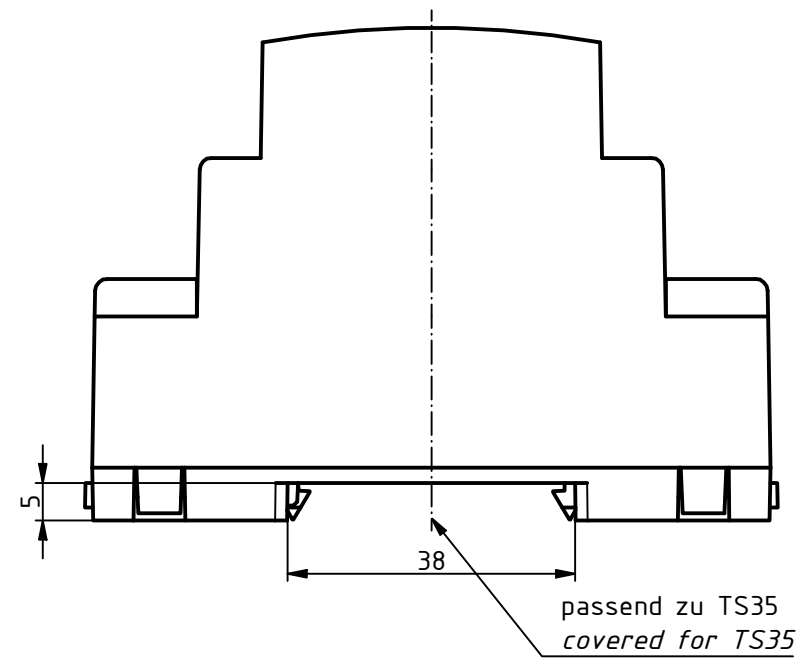
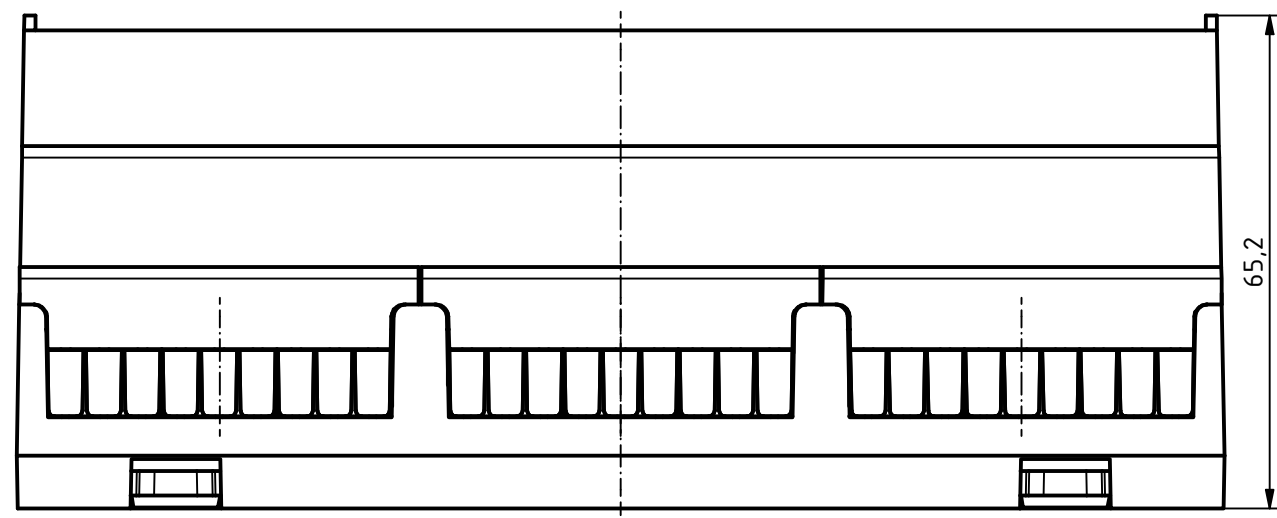
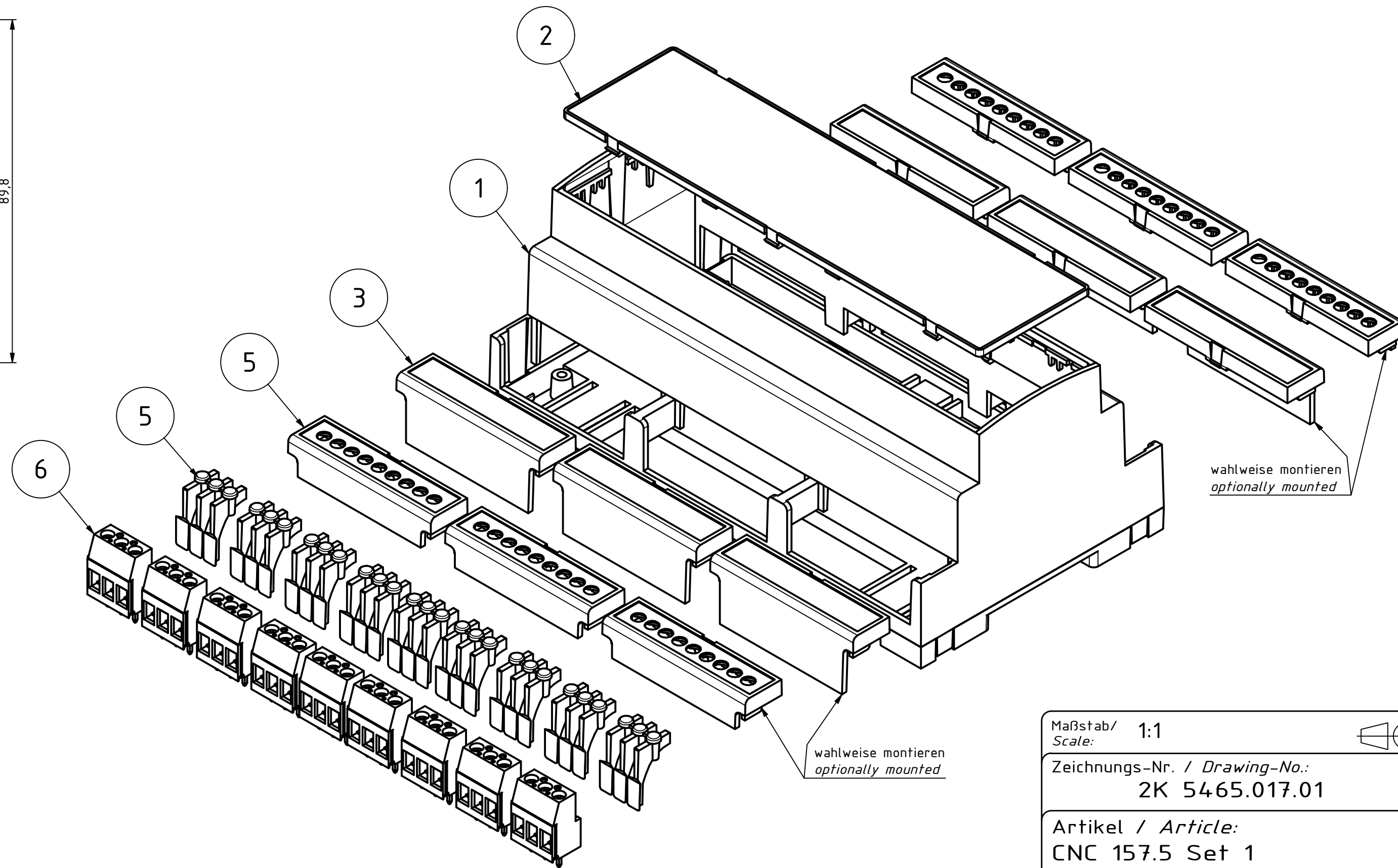
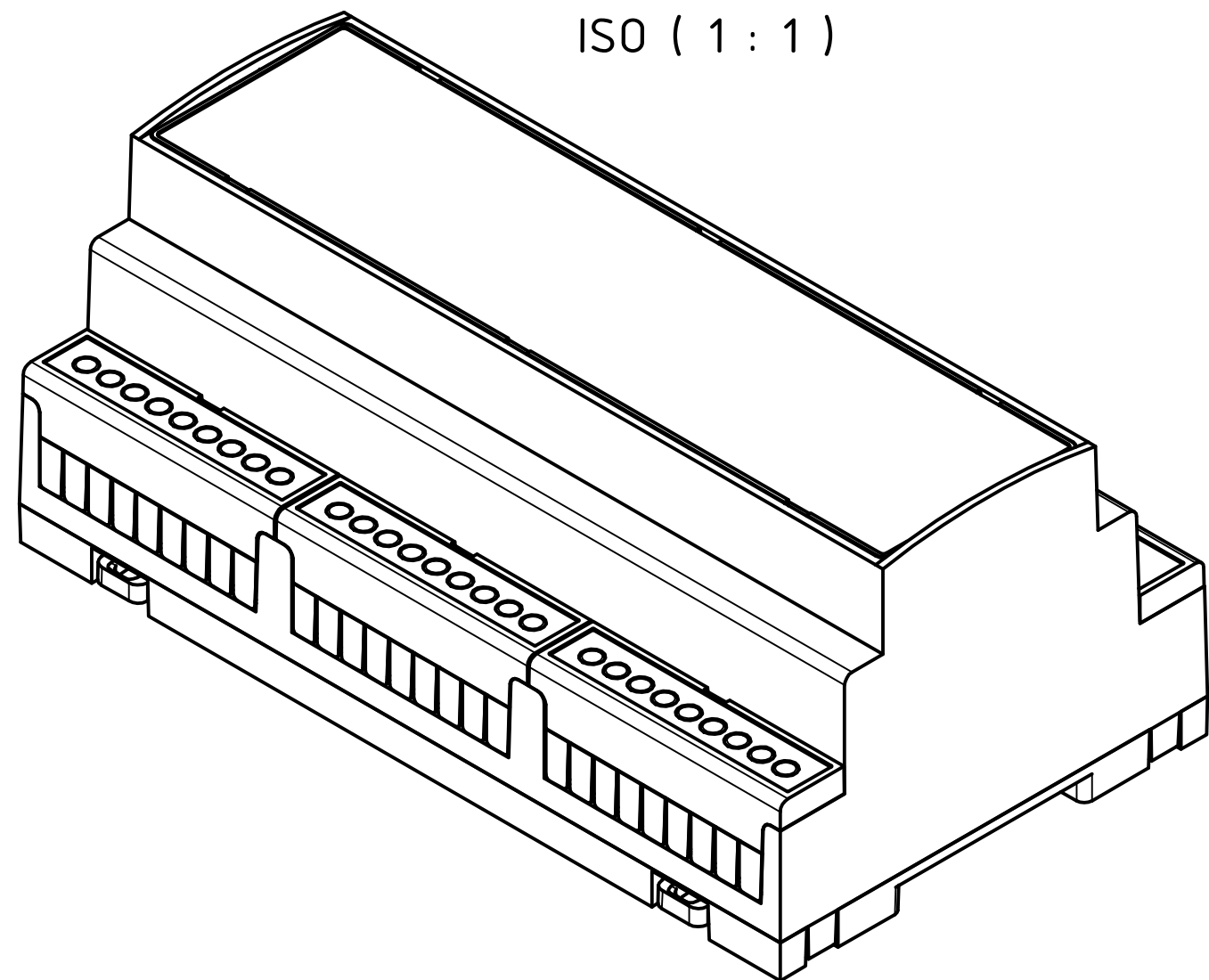


"Schutzvermerk nach DIN ISO 16016 beachten". "Please pay attention to copyright note DIN ISO 16016".



ISO (1 : 1)



CNC 157.5 Set 1

| Pos. Nr.: | Art.-Nr.: | Name | Stck. / Qty. |
|-----------|-----------|--|--------------|
| 1 | 65610157 | CNC 157.5 Combinorm-Control / CNC 157.5 Combinorm-Control Enclosure | 1 |
| 2 | 65621157 | CNC 157.5 F Frontplatte oben / CNC 157.5 F Top Cover | 1 |
| 3 | 656334.00 | CNC KA52.5-G Klemmenabdeckung geschlossen / CNC KA 52.5-G Terminal Cover closed | 6 |
| 4 | 65633100 | CNC KA52.5-5,08 Klemmenabdeckung 5,08 Raster / CNC KA 52.5-5,08 Terminal Cover 5,08 Grid | 6 |
| 5 | 65640100 | CNC S-5,08 Abdeckstopfen für 3-polige Klemmen / CNC S-5,08 Cover Plug for 3-Pole Terminals | 9 |
| 6 | 66003000 | AKZO 700/3 - 5,08 V Anschlussklemme CN /AKZO 700/3-5,08 V Connection Terminal CN | 9 |

Maßstab / Scale: 1:1

Zeichnungs-Nr. / Drawing-No.: 2K 5465.017.01

Artikel / Article: CNC 157.5 Set 1
CombiNorm-Control
Katalogzg./Catalogue draw.

A.Nr./ Alt.No.: Datum/ Date:

DISK: 2604457.idw
Datum/Date: 12.11.2020 BSCH/JL

