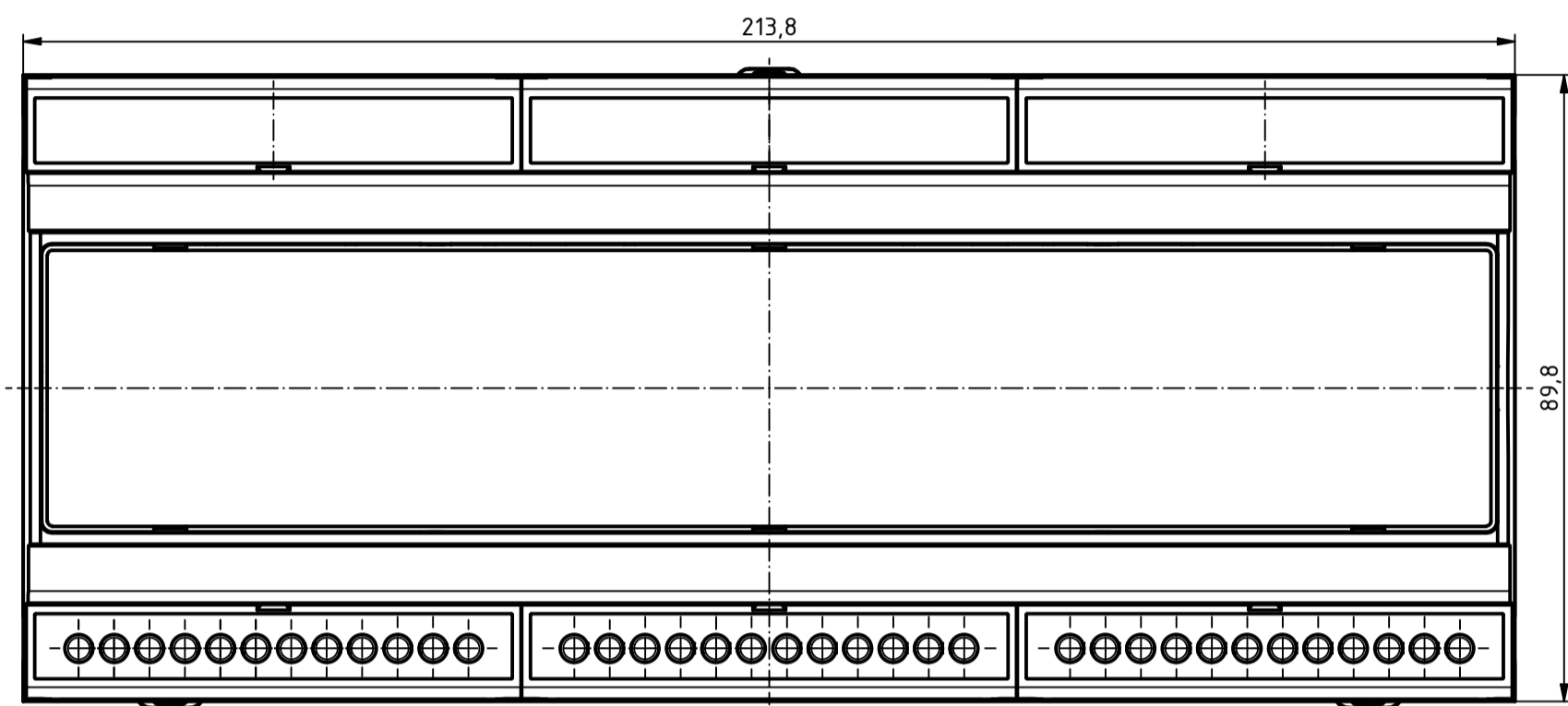
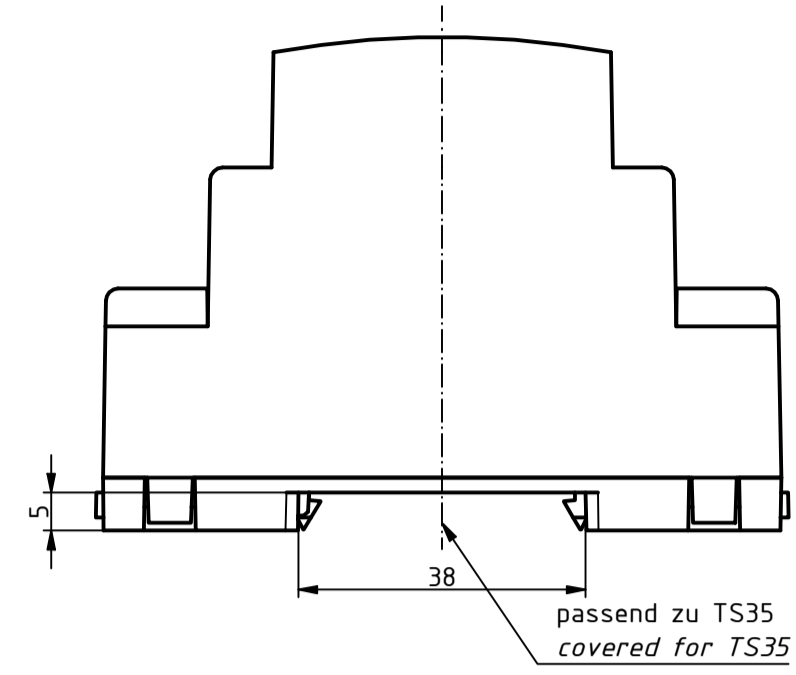
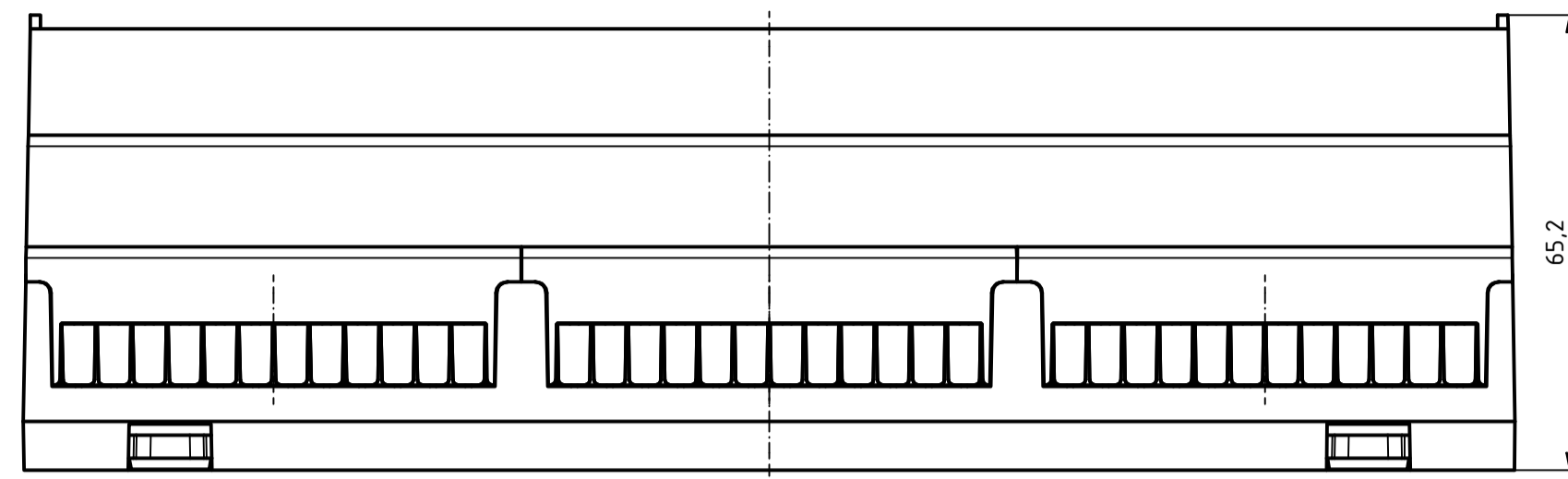
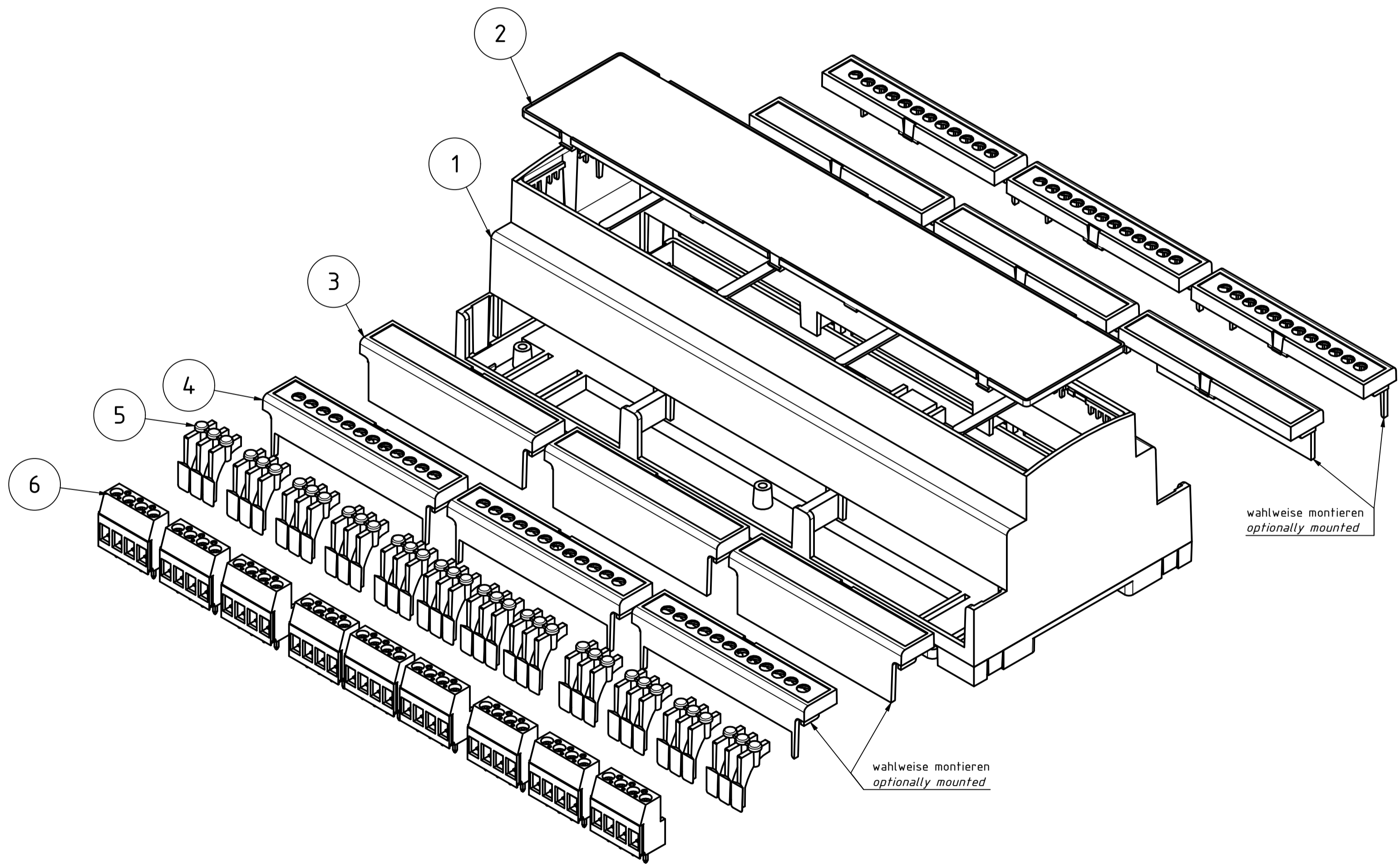
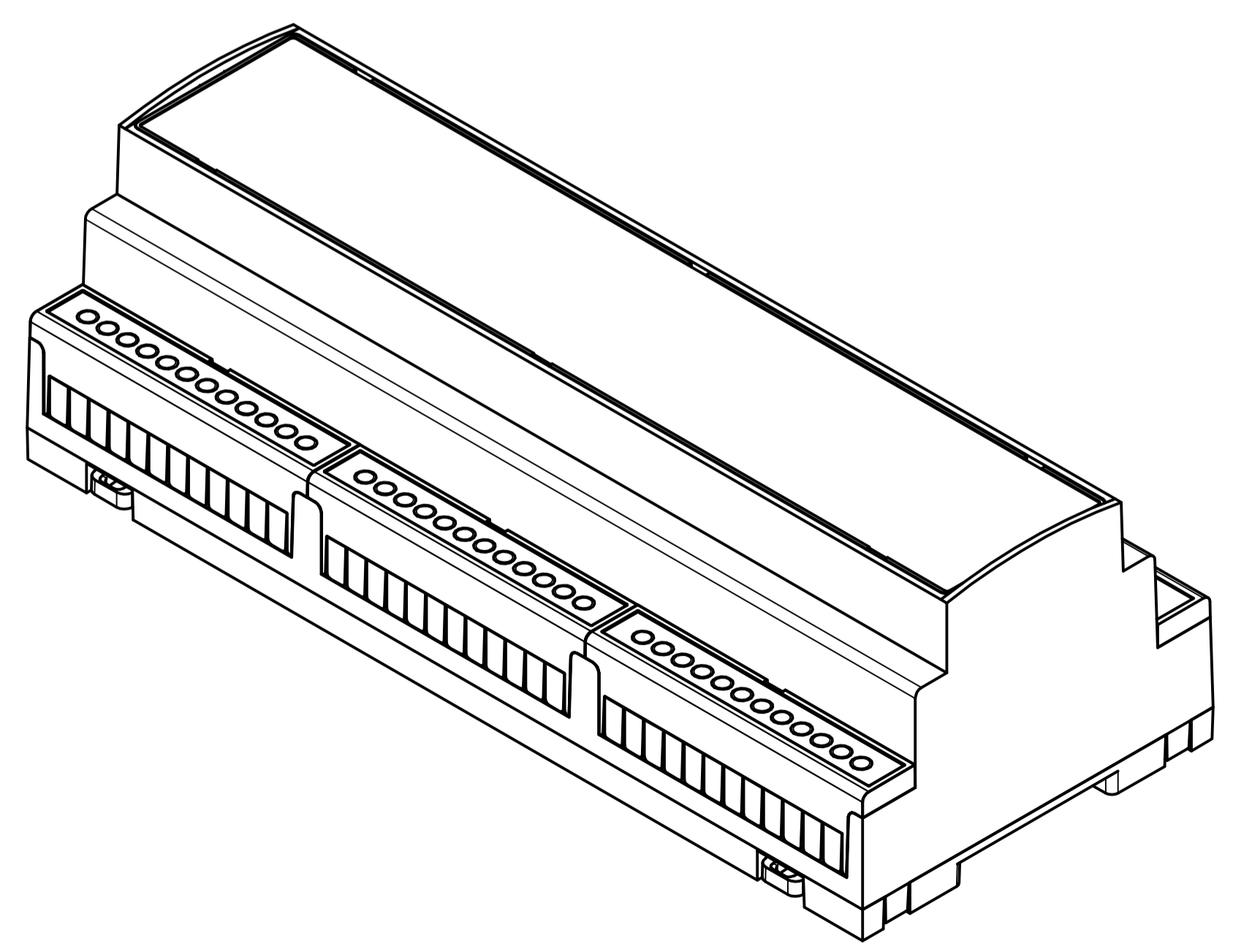


"Schutzvermerk nach DIN ISO 16016 beachten" - "Please pay attention to copyright note DIN ISO 16016"



ISO (1 : 1)



Maßstab/ Scale:	1:1	
Zeichnungs-Nr. / Drawing-No.:	1K 5465.028.01	
Artikel / Article:	CNC 210.0 Set 1	
	CombiNorm-Control	
	Katalogzg./Catalogue draw.	
A.Nr./ Alt.No.:	Datum/ Date:	 A Phoenix Mecano Company
DISK:	2604490.idw	
Datum/Date:	12.11.2020	JL

CNC 210.0 Set 1			
Pos. Nr.:	Art.-Nr.:	Name	Stck. / Qty.
1	65610210	CNC 210.0 Combinorm-Control / CNC 210.0 Combinorm-Control Enclosure	1
2	65621210	CNC 210.0 F Frontplatte oben / CNC 210.0 F Top Cover	1
3	65634.000	CNC KA70.0-G Klemmenabdeckung geschlossen / CNC KA 70.0-G Terminal Cover closed	6
4	65634.100	CNC KA70.0-5,08 Klemmenabdeckung 5,08 Raster / CNC KA 70.0-5,08 Terminal Cover 5,08 Grid	6
5	65640100	CNC S-5,08 Abdeckstopfen für 3-polige Klemmen / CNC S-5,08 Cover Plug for 3-Pole Terminals	12
6	66004000	AKZO 700/4 - 5,08 V Anschlussklemme CN / AKZO 700/4-5,08 V Connection Terminal CN	9