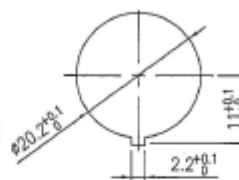
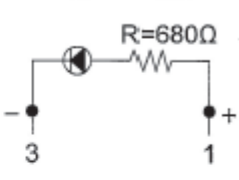
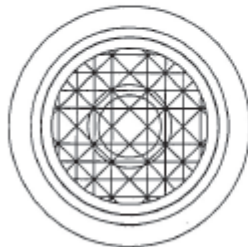


Data Sheet

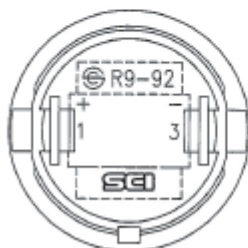
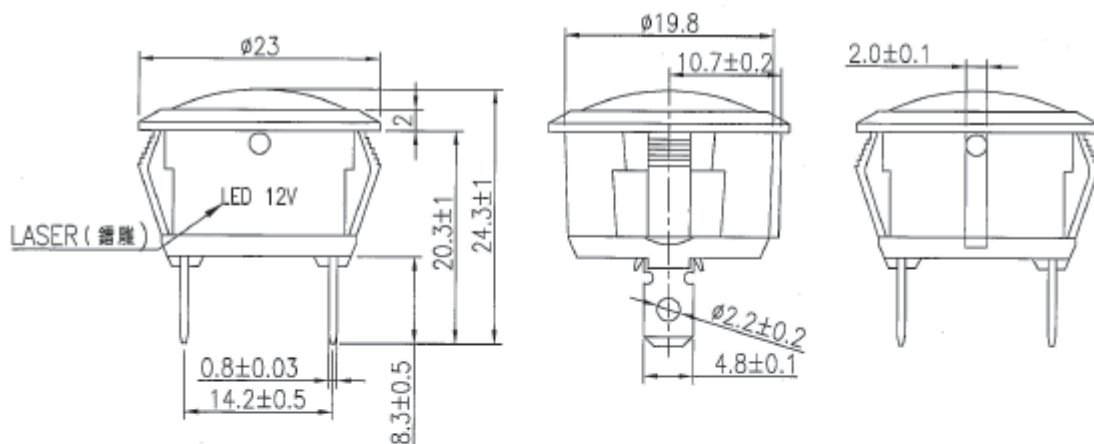
LED indicator 12V DC, Red



Rating	12V DC		
Insulation Resistance	DC 500V 100M ohm Min.		
Dielectric Strength	AC 1500V 1 minute		
Operation Temperature	-20°C~+85°C		



Material:
 Frame: Black, nylon 66
 Lens: Red, PC
 Terminals: Tin plated brass
 LED: Red



Tolerances ±0.3 Unless Otherwise Specified