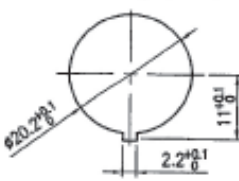
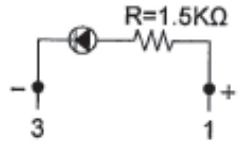
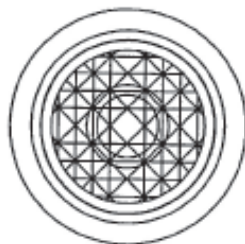


Data Sheet

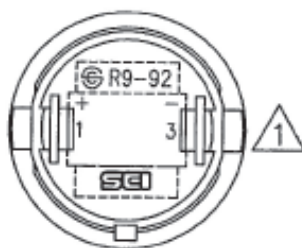
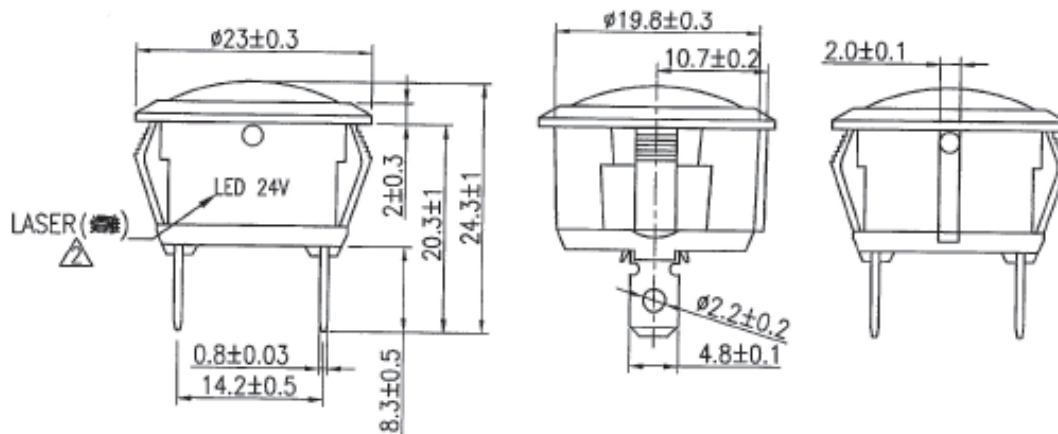
LED indicator 24V DC, Amber



Rating	24V DC		
Insulation Resistance	DC 500V 100M ohm Min.		
Dielectric Strength	AC 1500V 1 minute		
Operation Temperature	-20°C~85°C		



Material:
 Frame: black,nylon 66
 Lens: yellow,PC
 Terminals: tin plated brass
 LED: yellow



原稿
 2017.12.12
 研發部