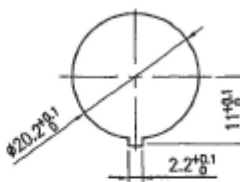
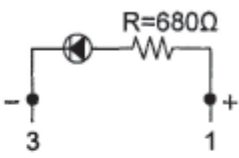
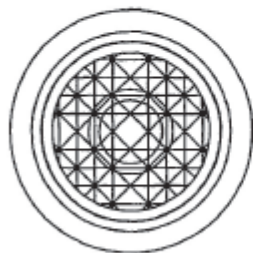


Data Sheet

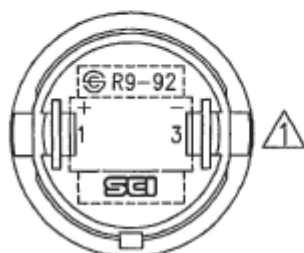
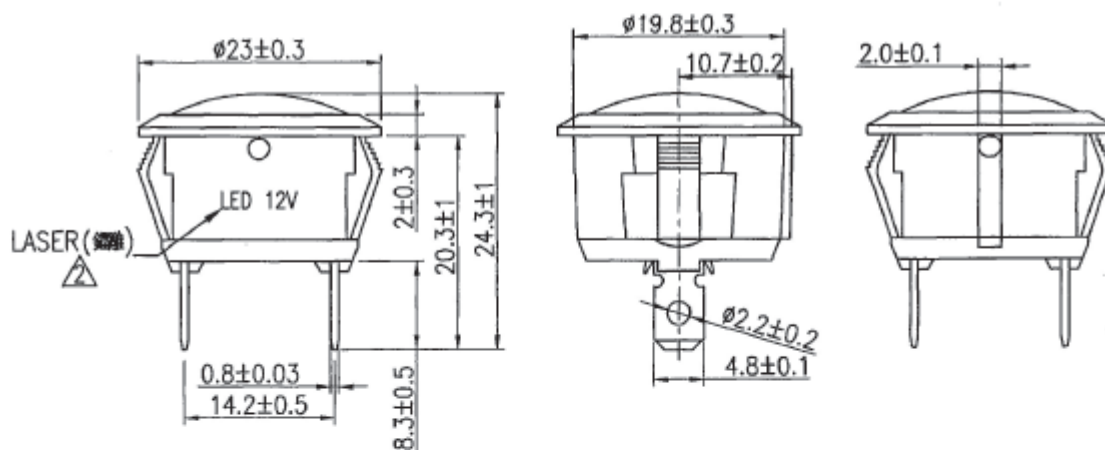
LED indicator 12V DC, Blue



Rating	12V DC	Mounting Hole 	Circuit Diagram 
Insulation Resistance	DC 500V 100M ohm Min.		
Dielectric Strength	AC 1500V 1 minute		
Operation Temperature	-20°C~85°C		



Material:
 Frame: black,nylon 66
 Lens: blue,PC
 Terminals: tin plated brass
 LED: blue



原稿
 2017.12.12
 研發部