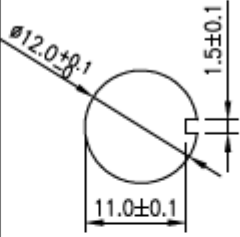
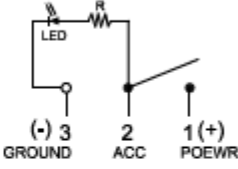
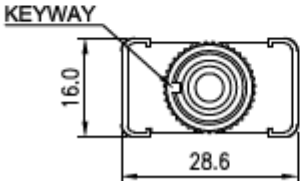


Data Sheet

Toggle switch 12V DC 20A, Yellow

Rating	20A 12V DC	Mounting Hole		Circuit Diagram	
Contact Resistance	50m ohm Max.				
Insulation Resistance	DC 500V 100M ohm Min.				
Dielectric Strength	AC 1500V 1 minute				
Operation Temperature	-20°C~85°C				
Switch Function	3P SPST ON-OFF (LED dependent)				

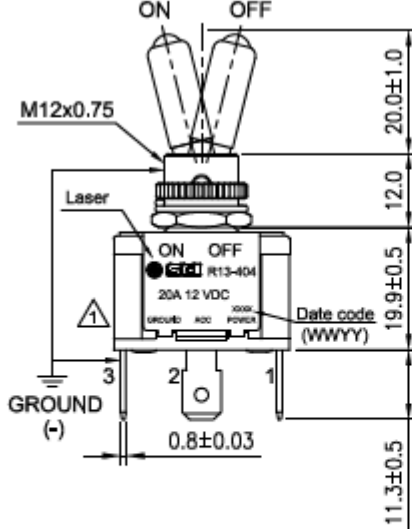


KEYWAY

16.0

28.6

1 HEX NUT ASSY
1 SPRING WASHER ASSY
1 KNURL NUT ASSY



ON OFF

M12x0.75

Laser

ON OFF

20A 12 VDC

GROUND ACC POWER

Date code (WWYY)

3

GROUND (-)

2

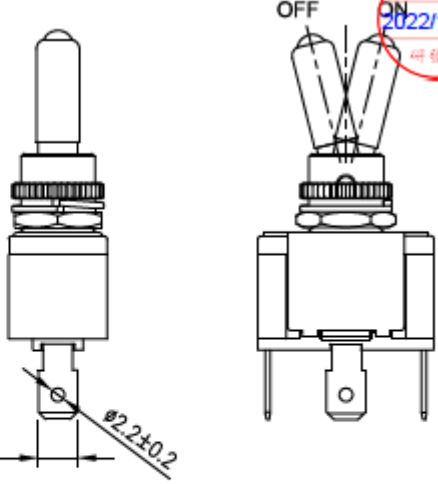
1

0.8±0.03

11.3±0.5

6.3±0.1

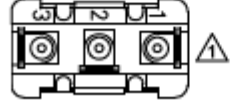
2.2±0.2



OFF

ON

原稿
2022/12/19
研発部



KEYWAY on "ON"

1、Tolerances ±0.3 Unless Otherwise Specified