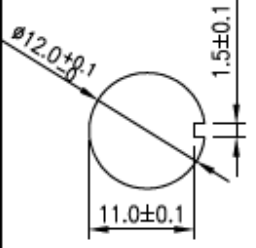
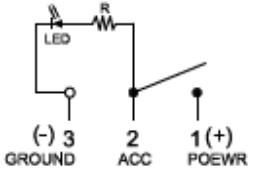
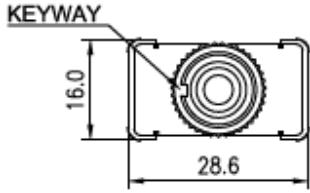


Data Sheet

Toggle switch 12V DC 20A, Red

Rating	20A 12V DC		
Contact Resistance	50m ohm Max.		
Insulation Resistance	DC 500V 100M ohm Min.		
Dielectric Strength	AC 1500V 1 minute		
Operation Temperature	-20°C~85°C		
Switch Function	3P SPST ON-OFF (LED dependent)		

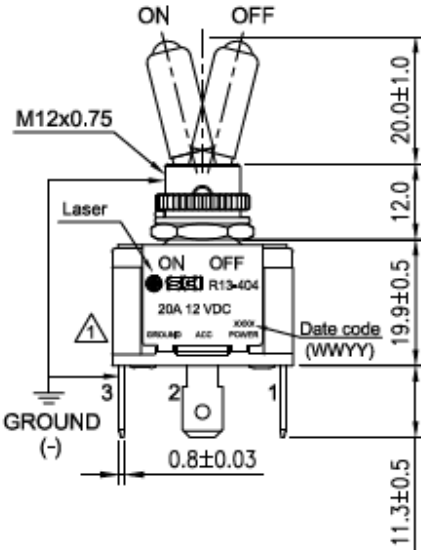


KEYWAY

16.0

28.6

1 HEX NUT ASSY
1 SPRING WASHER ASSY
1 KNURL NUT ASSY



ON OFF

M12x0.75

Laser

ON OFF

R13-404

20A 12 VDC

GROUND ACC POEWR

Date code (WWYY)

3

2

1

GROUND (-)

20.0±1.0

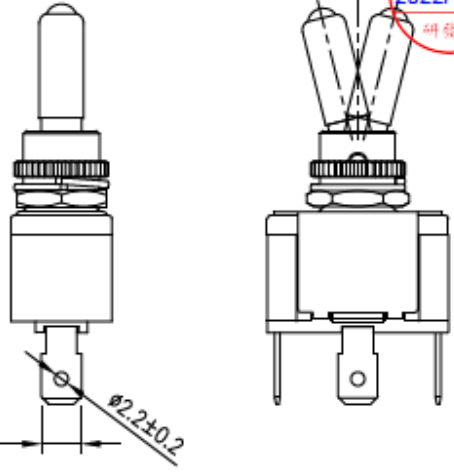
12.0

19.9±0.5

11.3±0.5

0.8±0.03

6.3±0.1



OFF

ON

2022/12/19

研發部

原稿

2.2±0.2

KEYWAY on "ON"

1. Tolerances ±0.3 Unless Otherwise Specified