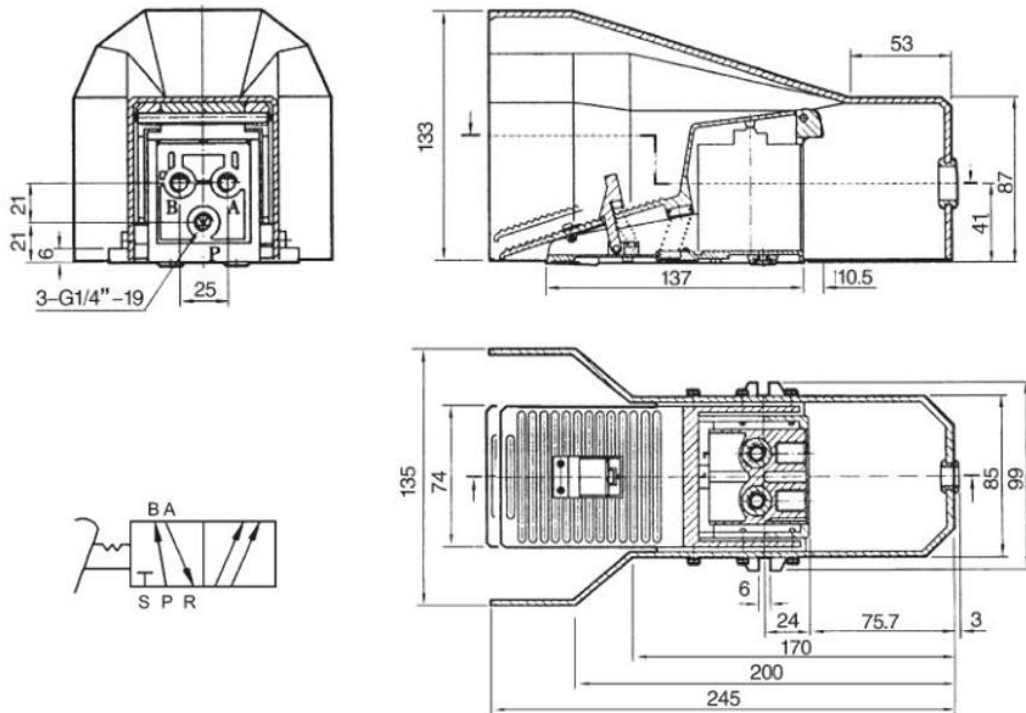


Data Sheet

Foot Valve



Specification:

- Function: 2 positions / 5 ways
- Connection: G ¼
- Fluid: Compressed air
- Acting type: Direct operated
- Working pressure: 0.0 – 8.0 Bar
- Ambient temperature: -10 - 70°C
- Operating type: Mono spring reset
- Material: ABS, Steel plate