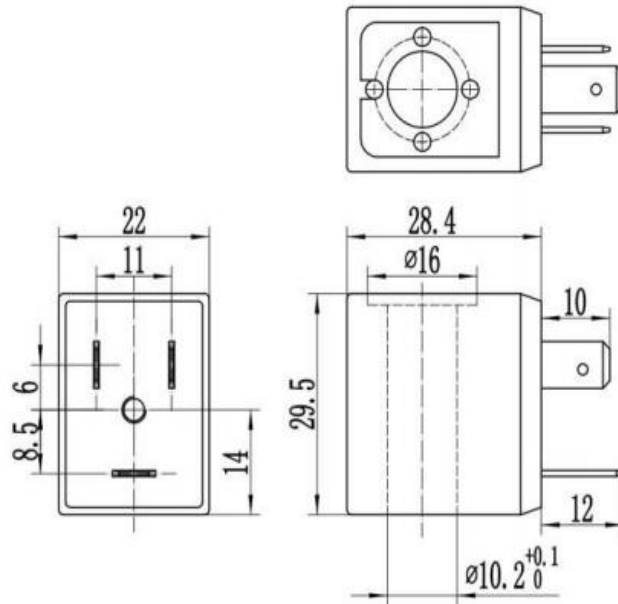


Data Sheet

Coil



Specification

- Voltage: 24 V DC
- Power: 6.5 W
- Insulation grade: F.H
- Connection: Industrieform (11 mm)