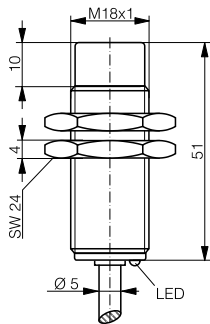
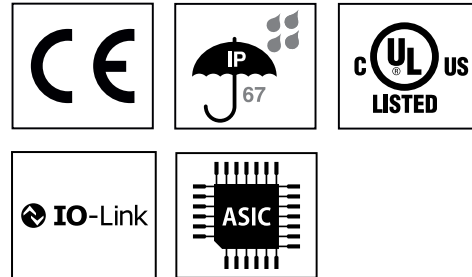
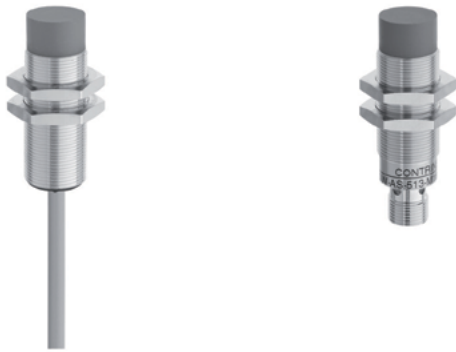
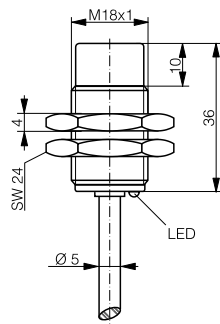


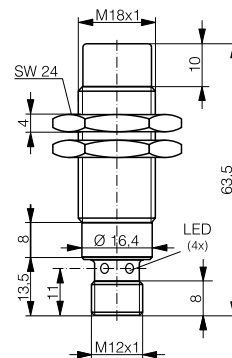
HOUSING	OPERATING DISTANCE	MOUNTING	✓ Long operating distance	✓ IP 67
M18	20 mm	Non-embeddable	✓ Exceptional price-performance ratio	✓ IO-Link v1.1
			✓ Excellent accuracy	



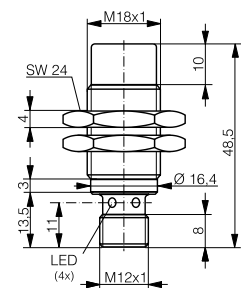
DW-AD-51x-M18



DW-AD-51x-M18-120



DW-AS-51x-M18-002



DW-AS-51x-M18-120

DETECTION DATA		INTERFACE	
Rated operating distance (S_n)	20 mm	Indicator LED, yellow	Sensing state ($0 \leq s \leq 0.8 S_r$)
Assured operating distance (S_a)	$\leq (0.81 \times S_n)$ mm	Indicator LED, yellow, blinking	Sensing state ($0.8 S_r < s \leq S_r$)
Repeat accuracy	≤ 1 mm	IO-Link	✓
Hysteresis	$3\% S_r < \text{Hyst} \leq 15\% S_r$	MTTF (@40°C)	1073 y
Temperature drift	$\leq 10\% S_r$		
Standard target	60 x 60 x 1 mm ³ , FE360		

Note: $0.9S_n \leq S_a \leq 1.1S_n$.

ELECTRICAL DATA		MECHANICAL DATA	
Supply voltage range (U_B)	10...30 VDC	Mounting	Non-embeddable
Residual ripple	$\leq 20\% U_B$	Housing material	Chrome-plated brass
Output current	≤ 200 mA	Sensing face material	PBTP
Output voltage drop	≤ 2.0 VDC	Max tightening torque	25 Nm
Power consumption (no-load)	≤ 10 mA	Ambient operating temperature	-25...+70°C ¹
Residual current	≤ 0.1 mA	Enclosure rating	IP 67
Switching frequency	≤ 500 Hz	Weight (cable / connector)	see page 2
Short-circuit protection	✓	Shock and vibration	IEC 60947-5-2 / 7.4
Voltage reversal protection	✓		
Cable length max.	≤ 300 m		

¹Maximum temperature according to UL: 70°C.

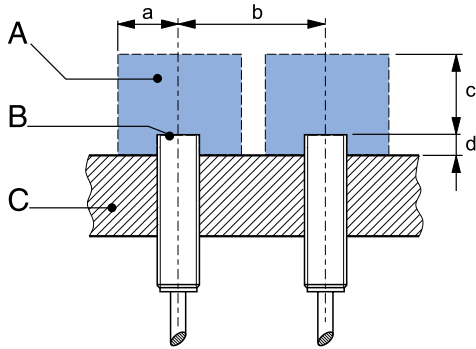
Note: all data measured according to IEC 60947-5-2 standard with $U_B = 20 \dots 30$ VDC, $T_A = 23^\circ\text{C} \pm 5^\circ\text{C}$.

CORRECTION FACTORS

Steel FE 360	1	Copper	0.42	Aluminum	0.44	Brass	0.5	Stainless S. V2A 1 / 2 mm	0.69
--------------	---	--------	------	----------	------	-------	-----	---------------------------	------

Note: the operating distance of the sensor must be multiplied by the correction factor of the material. For example, the operating distance on Aluminum is $S_{n,Al} = S_n \times CF_{Al}$. In case of embeddable mounting, the distance is multiplied by the additional correction factor of the support, thus $S_{n,Al} = S_n \times CF_{Al} \times CF_{emb,Al}$.

INSTALLATION CONDITIONS



A : metal free zone a : 30 mm d : steel 20 mm
 B : sensing face b : 78 mm
 C : support c : 60 mm

Note: additional installation information can be found in the glossary of the Contrinex General Catalog.

IO-LINK FUNCTIONALITIES

IO-Link version	1.1
SIO mode	Supported
Process data	7-bit input
Baudrate	COM2 (38.4 kBaud)
Minimum cycle time	10.4 ms
ISDU	Not supported



IO-Link files may be downloaded from

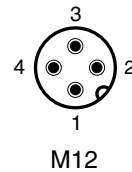
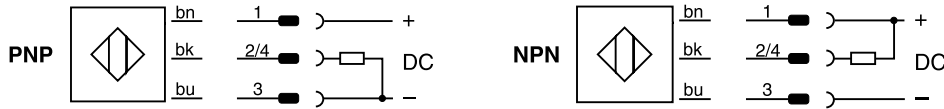
www.contrinex.com/product-range/inductive-sensors/.

Select the product name to display the product page with corresponding downloads.

Alternatively, just click/scan the QR code on the left.

WIRING DIAGRAM

PIN ASSIGNMENT



AVAILABLE TYPES

Part number	Part reference	Polarity	Connection	Output on pin 2	Output on pin 4 / bk	Weight
330-020-266	DW-AD-511-M18	NPN	PVC, 2 m, 3 wire	-	Normally open (NO)	130 g
330-020-268	DW-AD-512-M18	NPN	PVC, 2 m, 3 wire	-	Normally close (NC)	130 g
330-020-269	DW-AD-513-M18	PNP	PVC, 2 m, 3 wire	-	Normally open (NO) / IO-Link	130 g
330-020-270	DW-AD-514-M18	PNP	PVC, 2 m, 3 wire	-	Normally close (NC)	130 g
330-020-276	DW-AD-511-M18-120	NPN	PVC, 2 m, 3 wire	-	Normally open (NO)	115 g
330-020-277	DW-AD-512-M18-120	NPN	PVC, 2 m, 3 wire	-	Normally close (NC)	115 g
330-020-278	DW-AD-513-M18-120	PNP	PVC, 2 m, 3 wire	-	Normally open (NO) / IO-Link	115 g
330-020-279	DW-AD-514-M18-120	PNP	PVC, 2 m, 3 wire	-	Normally close (NC)	115 g
330-020-291	DW-AS-511-M18-002	NPN	M12 4-pin	-	Normally open (NO)	56 g
330-020-292	DW-AS-511-M18-120	NPN	M12 4-pin	-	Normally open (NO)	49 g
330-020-293	DW-AS-512-M18-002	NPN	M12 4-pin	Normally close (NC)	-	56 g
330-020-294	DW-AS-512-M18-120	NPN	M12 4-pin	Normally close (NC)	-	49 g
330-020-295	DW-AS-513-M18-002	PNP	M12 4-pin	-	Normally open (NO) / IO-Link	56 g
330-020-296	DW-AS-513-M18-120	PNP	M12 4-pin	-	Normally open (NO) / IO-Link	49 g
330-020-299	DW-AS-514-M18-002	PNP	M12 4-pin	Normally close (NC)	-	56 g
330-020-300	DW-AS-514-M18-120	PNP	M12 4-pin	Normally close (NC)	-	49 g

Note: part reference may include additional suffix to indicate a revision version or special version. Further information is available on request.

Operators of the products we supply are responsible for compliance with measures for the protection of persons. The use of our equipment in applications where the safety of persons might be at risk is only authorized if the operator observes and implements separate, appropriate and necessary measures for the protection of persons and machines. Terms of delivery and rights to change design reserved.