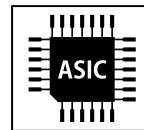
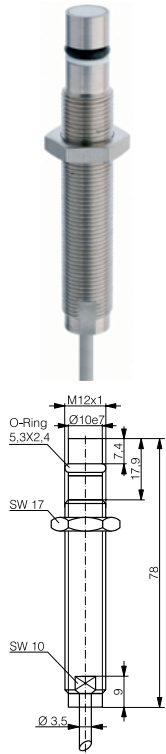


HOUSING	OPERATING DISTANCE	MOUNTING	✓ Resistant up to 500 bar	✓ Peaks ≤ 1000 bar
M12	1.5 mm	Embeddable	✓ Exceptionally long life	✓ Ceramic sensing face
			✓ Long operating distance	✓ Gas tight, IP68
			✓ Large temperature range	



DW-AD-503-P12-764

DETECTION DATA		INTERFACE	
Rated operating distance (S_n)	1.5 mm	Indicator LED, yellow	✗
Assured operating distance (S_a)	≤ (0.81 x S_n) mm (-25 ... +70 °C)	Indicator LED, yellow, blinking	✗
Repeat accuracy	≤ 0.1 mm	IO-Link	✗
Hysteresis	3% S_r ≤ Hyst ≤ 15% S_r	MTTF (@40°C)	949 y
Temperature drift	≤ 10 % (-25 ... +70°C) ≤ 15 % (+70 ... +100°C)		
Standard target	10 x 10 x 1 mm ³ , FE360		

Note: $0.9S_n \leq S_a \leq 1.1S_n$.

ELECTRICAL DATA		MECHANICAL DATA	
Supply voltage range (U_b)	10...30 VDC	Operating pressure	≤ 500 bar
Residual ripple	≤ 20% U_b	Peak pressure	≤ 1000 bar
Output current	≤ 200 mA	Vacuum down to	10 ⁻⁸ Torr
Output voltage drop	≤ 2.0 VDC	Mounting	Embeddable
Power consumption (no-load)	≤ 10 mA	Housing material	Stainless-steel V2A (DIN 1.4305/AISI 303)
Residual current	≤ 0.1 mA	Sensing face material	ZrO ₂
Switching frequency	≤ 600 Hz	Max tightening torque	40 Nm
Short-circuit protection	✓	Ambient operating temperature	-25...+100°C ¹
Voltage reversal protection	✓	Enclosure rating	IP 68
Cable length max.	≤ 300 m	Weight (cable / connector)	see page 3
		Shock and vibration	IEC 60947-5-2 / 7.4

Note: all data measured according to IEC 60947-5-2 standard with $U_b = 20 \dots 30$ VDC, $T_A = 23^\circ\text{C} \pm 5^\circ\text{C}$.

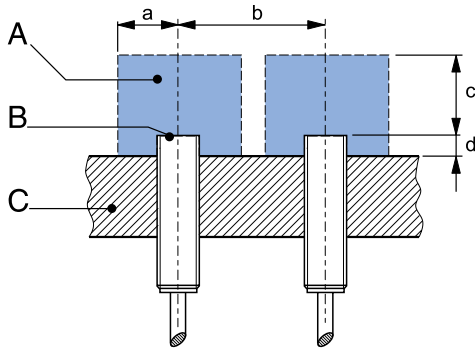
¹Maximum temperature according to UL: 70°C.

CORRECTION FACTORS

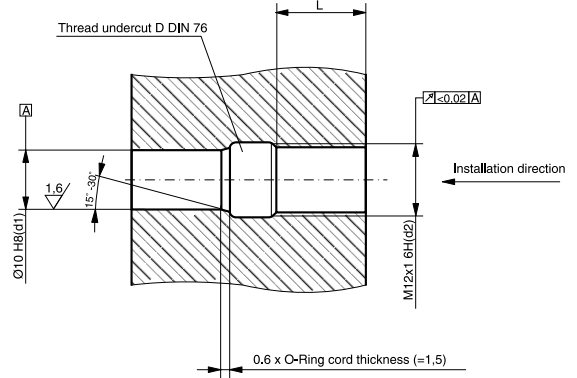
Steel FE 360	1	Copper	0.12	Aluminum	0.2	Brass	0.34	Stainless S. V2A 1 / 2 mm	0.75
--------------	---	--------	------	----------	-----	-------	------	---------------------------	------

Note: the operating distance of the sensor must be multiplied by the correction factor of the material. For example, the operating distance on Aluminum is $S_{n,Al} = S_n \times CF_{Al}$. In case of embeddable mounting, the distance is multiplied by the additional correction factor of the support, thus $S_{n,Al} = S_n \times CF_{Al} \times CF_{emb,Al}$.

INSTALLATION CONDITIONS



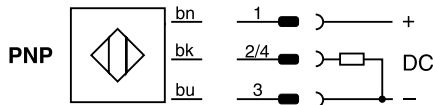
A : metal free zone a : 6 mm d : steel 0 mm
 B : sensing face b : 12 mm
 C : support c : 4.5 mm



L : recommended installation depth: $L \geq 0.8 \times d2$

Note: additional installation information can be found in the glossary of the Contrinex General Catalog.

WIRING DIAGRAM



AVAILABLE TYPES

Part number	Part reference	Polarity	Connection	Output on pin 2	Output on pin 4 / bk	Weight
330-020-171	DW-AD-503-P12-764	PNP	PUR, 2 m, 3 wire	-	Normally open (NO)	103 g

Note: part reference may include additional suffix to indicate a revision version or special version. Further information is available on request.

Operators of the products we supply are responsible for compliance with measures for the protection of persons. The use of our equipment in applications where the safety of persons might be at risk is only authorized if the operator observes and implements separate, appropriate and necessary measures for the protection of persons and machines. Terms of delivery and rights to change design reserved.