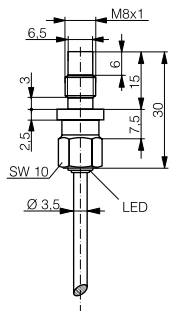
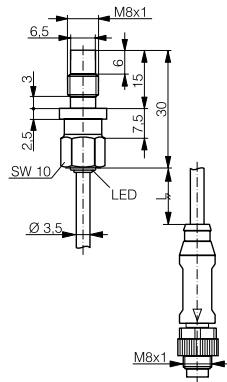


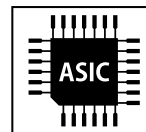
HOUSING	OPERATING DISTANCE	MOUNTING	✓ Resistant up to 500 bar	✓ Peaks ≤ 1000 bar
M8	1.5 mm	Embeddable	✓ Exceptionally long life	✓ Ceramic sensing face
			✓ Long operating distance	✓ Gas tight, IP68
			✓ Large temperature range	✓ IO-Link v1.1



DW-AD-50x-P8



DW-AV-50x-P8-276/-282



DETECTION DATA		INTERFACE	
Rated operating distance ( $S_n$ )	1.5 mm	Indicator LED, yellow	Sensing state ( $0 \leq s \leq 0.8 S_n$ )
Assured operating distance ( $S_a$ )	$\leq (0.81 \times S_n)$ mm (-25 ... +70 °C)	Indicator LED, yellow, blinking	Sensing state ( $0.8 S_n < s \leq S_n$ )
Repeat accuracy	$\leq 0.075$ mm	IO-Link	✓
Hysteresis	$3\% S_n \leq \text{Hyst} \leq 15\% S_n$	MTTF (@40°C)	1073 y
Temperature drift	$\leq 10\%$ (-25 ... +70°C) $\leq 15\%$ (+70 ... +100°C)		
Standard target	6.5 x 6.5 x 1 mm <sup>3</sup> , FE360		

Note:  $0.9S_n \leq S_a \leq 1.1S_n$ .

ELECTRICAL DATA		MECHANICAL DATA	
Supply voltage range ( $U_B$ )	10...30 VDC	Operating pressure	$\leq 500$ bar
Residual ripple	$\leq 20\%$ $U_B$	Peak pressure	$\leq 1000$ bar
Output current	$\leq 200$ mA	Vacuum down to	$10^{-8}$ Torr
Output voltage drop	$\leq 2.0$ VDC	Mounting	Embeddable
Power consumption (no-load)	$\leq 10$ mA	Housing material	Stainless-steel V4A (DIN 1.4404/AISI 316 L)
Residual current	$\leq 0.1$ mA	Sensing face material	ZrO <sub>2</sub>
Switching frequency	$\leq 800$ Hz	Max tightening torque	12 Nm
Short-circuit protection	✓	Ambient operating temperature	-25...+100°C <sup>1</sup>
Voltage reversal protection	✓	Enclosure rating	IP68
Cable length max.	$\leq 300$ m	Weight (cable / connector)	see page 3
		Shock and vibration	IEC 60947-5-2 / 7.4

Note: all data measured according to IEC 60947-5-2 standard with  $U_B = 20 \dots 30$  VDC,  $T_A = 23^\circ\text{C} \pm 5^\circ\text{C}$ .

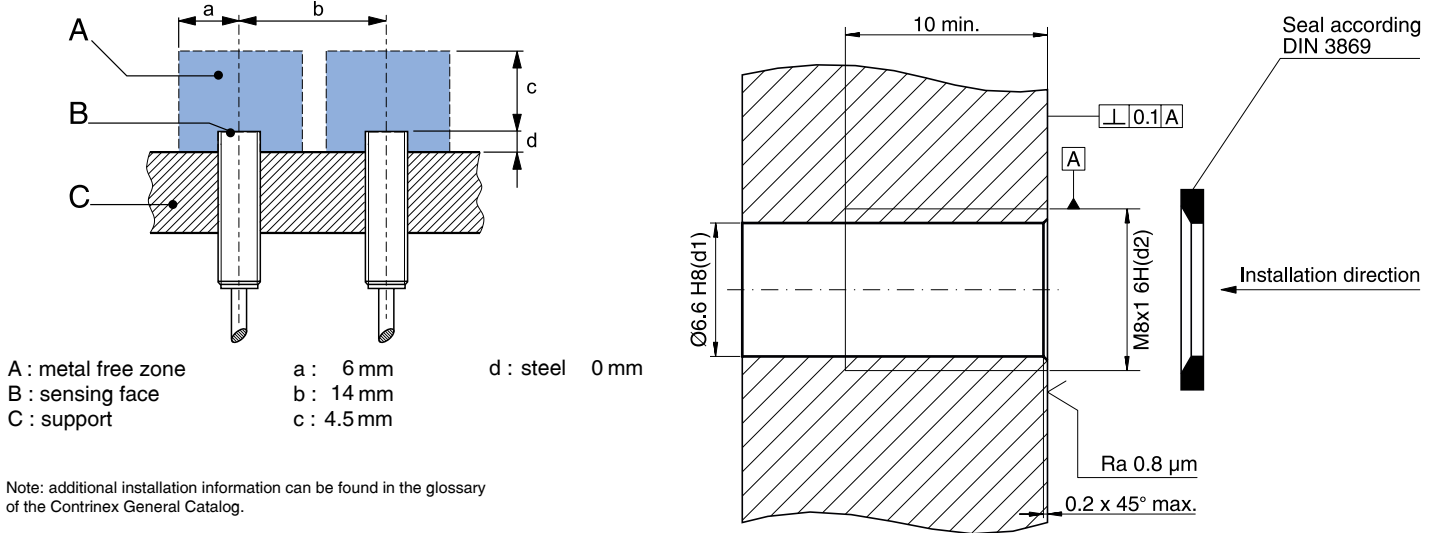
<sup>1</sup>Maximum temperature according to UL: 70°C.

## CORRECTION FACTORS

Steel FE 360	1	Copper	0.22	Aluminum	0.26	Brass	0.39	Stainless S. V2A 1 / 2 mm	0.66
--------------	---	--------	------	----------	------	-------	------	---------------------------	------

Note: the operating distance of the sensor must be multiplied by the correction factor of the material. For example, the operating distance on Aluminum is  $S_{n,Al} = S_n \times CF_{Al}$ . In case of embeddable mounting, the distance is multiplied by the additional correction factor of the support, thus  $S_{n,Al} = S_n \times CF_{Al} \times CF_{emb,Al}$ .

## INSTALLATION CONDITIONS



## IO-LINK FUNCTIONALITIES

IO-Link version	1.1
SIO mode	Supported
Process data	7-bit input
Baudrate	COM2 (38.4 kBaud)
Minimum cycle time	10.4 ms
ISDU	Not supported



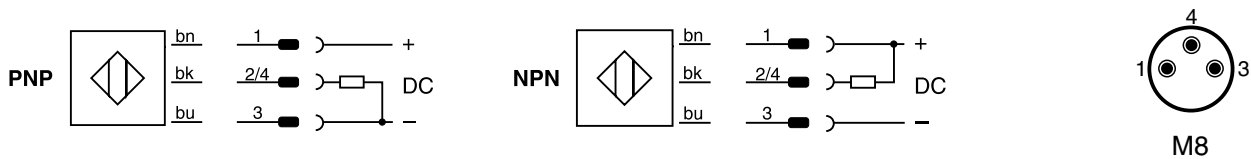
IO-Link files may be downloaded from

[www.contrinex.com/product-range/inductive-sensors/](http://www.contrinex.com/product-range/inductive-sensors/).

Select the product name to display the product page with corresponding downloads.

Alternatively, just click/scan the QR code on the left.

## WIRING DIAGRAM



## AVAILABLE TYPES

Part number	Part reference	Polarity	Connection	Output on pin 2	Output on pin 4 / bk	Weight
330-020-099	DW-AD-503-P8	PNP	PUR, 2 m, 3 wire	-	Normally open (NO) / IO-Link	40 g
330-020-100	DW-AD-504-P8	PNP	PUR, 2 m, 3 wire	-	Normally close (NC)	40 g
330-020-101	DW-AD-501-P8	NPN	PUR, 2 m, 3 wire	-	Normally open (NO)	40 g
330-020-102	DW-AD-502-P8	NPN	PUR, 2 m, 3 wire	-	Normally close (NC)	40 g
330-020-476	DW-AV-501-P8-276	NPN	PUR, 0.2 m + M8 3-pin	-	Normally open (NO)	40 g
330-020-483	DW-AV-503-P8-282	PNP	PUR, 0.5 m + M8 3-pin	-	Normally open (NO)	40 g

Note: part reference may include additional suffix to indicate a revision version or special version. Further information is available on request.

Operators of the products we supply are responsible for compliance with measures for the protection of persons. The use of our equipment in applications where the safety of persons might be at risk is only authorized if the operator observes and implements separate, appropriate and necessary measures for the protection of persons and machines. Terms of delivery and rights to change design reserved.