

PSI-SERIES

PURE SINE WAVE INVERTER

PROUSER[®]
ELECTRONICS

WWW.PRO-USER.COM

OPERATING MANUAL	P.2
BEDIENUNGSANLEITUNG	P.22
GEbruIKSAANWIJZING	P.42
MODE D'EMPLOI	P.62



PURE SINE WAVE INVERTER



SINUS WECHSELRICHTER



ZUIVERE SINUS OMVORMER



CONVERTISSEUR DE TENSION PUR SINUS



**Read this manual before using this product.
Failure to do so can result in serious injury.**

CONTENTS

Introduction	P.3
Important safety instructions	P.3
General instructions	P.6
Package contents	P.6
Technical description	P.7
Remote control	P.10
Dipswitch settings (Hybrid only)	P.11
ECO/UPS function	P.11
Installation & operation	P.12
Wiring scheme	P.13
Troubleshooting	P.15
Technical specifications	P.19
Maintenance	P.21
Warranty	P.21

INTRODUCTION

The pure sine wave inverters are a member of the family of advanced mobile power inverters manufactured by Pro-User Electronics. Your Pro-User Electronics pure sine wave inverter enables you to generate a pure sine wave 230V AC 50Hz voltage from a 12V DC battery wherever your travels take you. As a bonus we built-in 1 USB-Port for powering or charging e.g. your sat nav, cell phone, tablet or any other USB device. Because of the high quality pure sine wave voltage and the excellent overload capabilities, even sensitive electronics will work flawlessly.

The wired remote control enables you to monitor and control your inverter in a convenient way.

We have taken numerous measures in quality control to ensure that your product arrives in top condition and will perform to your satisfaction.

Please carefully read and follow the safety and operating instructions. Not following these instructions may result in a serious accident, including damaged property, serious or even fatal injuries. If the device is passed on to another person, this manual must also be handed over with it.

IMPORTANT SAFETY INSTRUCTIONS



CAUTION: Please read this instruction manual carefully before installing and starting up the device. Do not operate the inverter unless you have fully read and understood all the provided information. If you are not confident working with 12V DC voltage or are unsure of what you are doing, consider to seek for help by a professional installation service or your vehicle's manufacturer. Failure to observe these instructions may cause an electrical shock, fatal or serious injury, material damage or impair the function of the inverter.

Pro-User Electronics accepts no liability for direct or indirect damage caused by faulty assembly or connection, a usage of damaged or altered products, a usage for purposes other than described and especially caused by failure to follow these instructions.

General:

- Electrical devices are not toys. Keep the product away from children.
- Only use the product as intended and for purposes described in the manual.
- After opening the package, examine all parts for visible damage. If you have found any damage, please contact the company you purchased this unit from.
- Always disconnect the power supply (including the connection to the battery and an optional solar panel) when working on the device.

- Use only approved accessories (especially all cables) or parts fully consistent with the requirements. The installer is responsible for ensuring that the correct cable and fuse sizes are used.
- The surface temperature can reach up to 65°C. Power-off and stop using the device immediately, if the unit is smoking or is showing any abnormal behaviour.
- This appliance is not intended for use by persons (including children) with reduced physical, sensory or mental capabilities, or lack of experience and knowledge, unless they are supervised or have been instructed on how to use the appliance by a person responsible for their safety. Children should be supervised to ensure that they do not play with the appliance.
- Installing the device, maintenance and repair work may only be carried out by qualified person who are familiar with the risks involved, the relevant regulations and with the guidelines and safety precautions to be applied.
- Do not disassemble the inverter, the internal circuit contains hazardous voltages. Attempting to service the unit yourself may result in electric shock or fire and will void the unit warranty.
- Always keep metal objects or other materials that can short circuit the terminals of the battery or the inverter securely away. A resulting spark or short-circuit may not only damage the device, but also cause an explosion and potentially produce a current high enough to weld a ring or the like to metal. Remove personal metal items such as rings, bracelets, necklaces and watches when working on the device or the battery.
- Operate the inverter only, if all cables and the housing are undamaged and all connections are tight and clean. Loose or dirty connections could result in overheating, electrical sparks and fire.
- Do not connect AC output terminals of the inverter to an incoming AC source (or the grid).
- Do not connect DC input terminals of the inverter to an incoming AC source.
- Never use the inverter on vehicles where the positive terminal of the battery is connected to the chassis.
- Never connect cables in reverse polarity or short-circuit connected cables. This may blow internal fuses and may damage the inverter permanently.
- A fuse should be provided at a distance of max. 30 cm from the battery's positive terminal. Failure to do so, may cause damage to the cabling or battery if a fault (e.g. over-current or short circuit) occurs. Only use high quality copper cable and keep the cable length short.
- Do not operate appliances that may feed AC main power back into the inverter. This might damage the inverter.
- Ensure the device is standing firmly. The device must be set up and fastened in such a way that it cannot tip over or fall down.
- Never connect devices that have a higher power requirement than the peak output power of the inverter. Note that some devices may require more starting current than the type plate of the device indicates.

Working with Batteries

- Batteries can store large amounts of energy and improper handling can be dangerous. Never connect to a battery with an unsuited voltage or other unsuitable or damaged batteries.
- Keep children away from batteries and acid.

- Avoid getting electrolyte on your skin or clothes. It is acidic and can cause burns. If battery acid contacts skin or clothing, wash immediately with water. Baking soda neutralizes lead acid battery electrolyte. If electrolyte gets into your eyes, immediately flood your eyes with running cold water for at least 20 minutes and get medical attention immediately. Eye protection is therefore recommended.
- Always keep metal objects or other materials that can short circuit the terminals of the battery or the inverter securely away.
- Power-off the device before making or breaking the connections to the battery.
- Observe technical instructions of the seller or the manufacturer of your battery.
- Check if all connections are tight and clean. Loose or dirty connections could result in overheating, electrical sparks and fire. Use terminal grease where required.
- Never smoke or allow a spark or flame in vicinity of the battery.
- Never try to charge a damaged or frozen battery.
- Do not place the device directly on top of the battery or vice versa or on a surface constructed from combustible material.
- Read your car's owner's manual. Some vehicle manufacturers may have special requirements before charging or discharging the vehicle's battery (e.g. fuses that have to be removed or certain security demands).

Environment

- Only use the product in environments from 0°C ~ 45°C.
- Do not operate the product in damp, wet or dusty environments: Never expose the inverter to rain or snow. Doing so may result in damage to the inverter or other equipment installed in the system or result in electric shock or fire. Do not operate the unit in explosive atmospheres, such as in the presence of flammable liquids, gases or dust. Do not put batteries, or anything that should be protected from sparks around the inverter. Doing so may result in fire or explosion.
- To avoid heat accumulation, do not cover the device. To prevent overheating, ensure that air inlets and ventilation is not obstructed. Do not expose the device to a heat source (such as direct sunlight or heating). Avoid additional heating of the device in this way.

Electrical Cables

- If cables have to be fed through metal holes or other walls with sharp edges, use ducts or cable bushings to prevent damage.
- Do not lay cables which are loose or bent next to electrically conductive material (metal).
- Do not pull on the cables.
- Avoid to lay 230 V AC mains cable and 12 V DC cables in the same duct.
- Prevent all cables from being stepped on, tripped over, or being damaged by e.g. sharp edges or hot surfaces.

GENERAL INSTRUCTIONS

Intended use

The Pro-User Electronics pure sine wave inverter converts a 12V direct current voltage (e.g. a battery or another 12V source that can deliver the required current) into 200-240V 50Hz AC pure sine wave voltage. The built-in USB-port is intended to power or charge 5V USB devices (the maximum current delivery has to be kept in mind). The wired remote control enables the user to monitor and control the inverter in a convenient way.

Packaging materials

To avoid danger of suffocation, do not let children play with foils or other packaging materials. Remove all protective coverings before putting the device in operation.

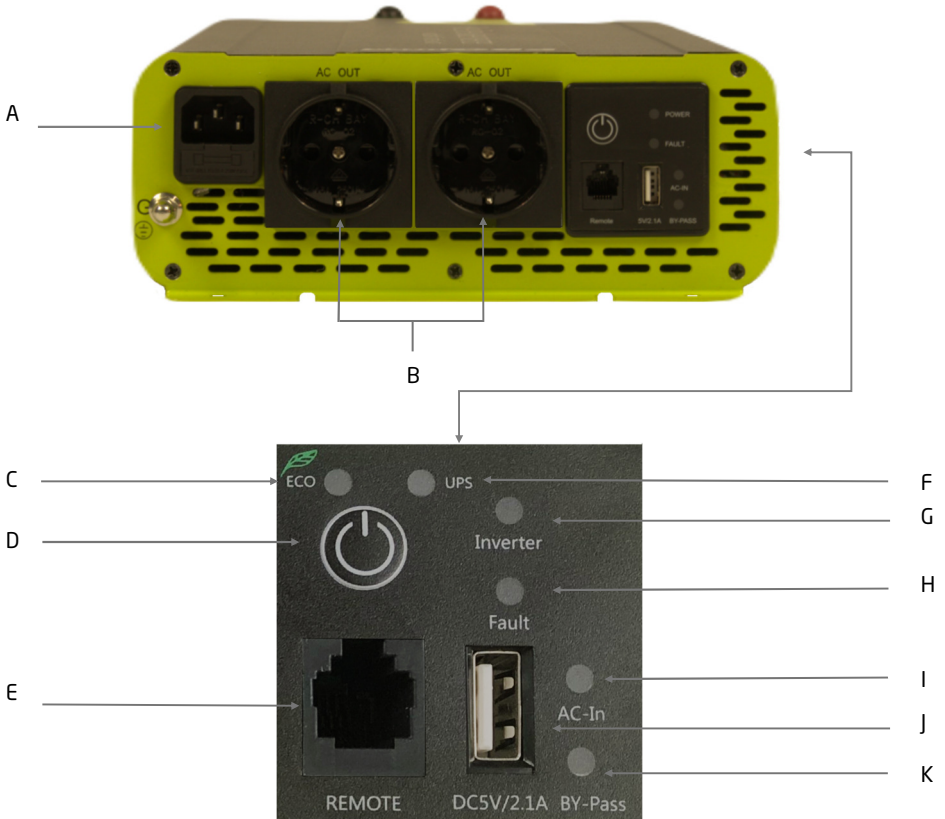
Storage

When not in use, store the inverter in a dry environment. Store the device in a safe place out of the reach of children. Protect the unit from direct sunlight, heat and moisture.

PACKAGE CONTENTS

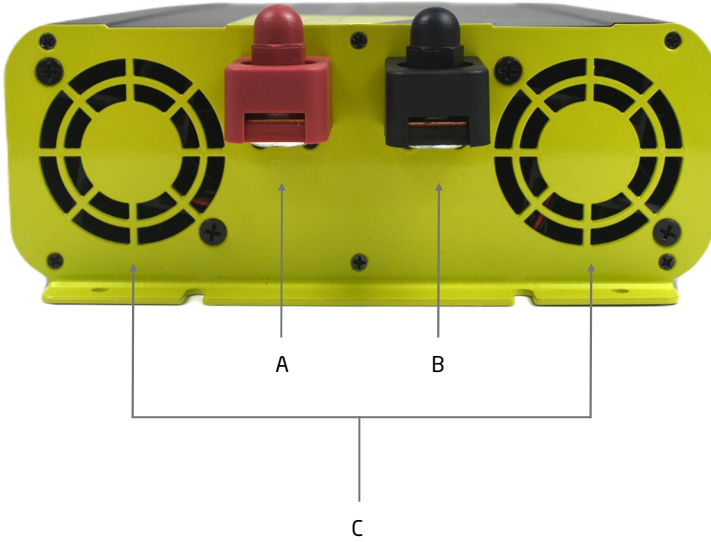
- 1x Pro-User Electronics pure sine wave inverter
- 1x Remote control (600/1000/1500/2000/3000w)
- 1x Remote control wiring (600/1000/1500/2000/3000w)
- 1x Remote control surface mounting frame (600/1000/1500/2000/3000w)
- 1x Battery wiring set
- 1x 230V connection cable (1000/1500/2000w)
- 1x Operating manual

TECHNICAL DESCRIPTION



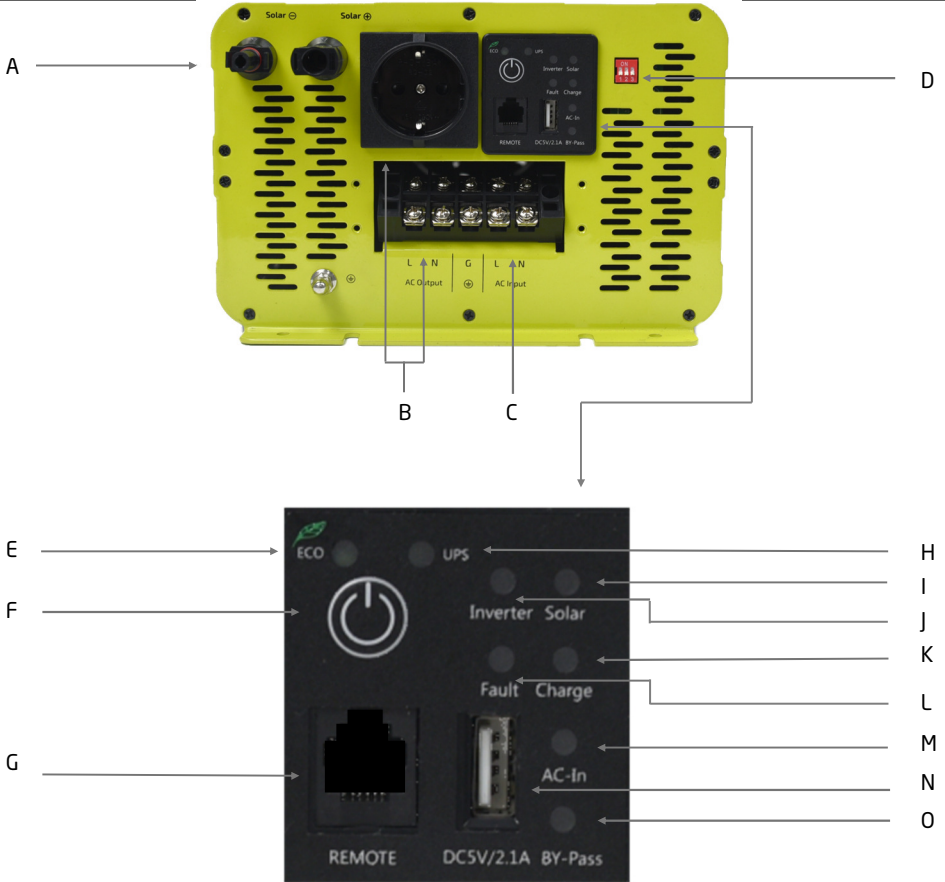
- A) Incoming 230V AC connection (1000W / 1500W / 2000W)
- B) Output 230V AC socket
- C) ECO mode indication led (1000W / 1500W / 2000W / 3000W)
- D) Power switch
- E) Remote control wiring connection
- F) UPS indication led (1000W / 1500W / 2000W / 3000W)
- G) Inverter function indication led
- H) Fault indication led
- I) AC incoming indication led
- J) USB output
- K) BY-Pass indication led

TECHNICAL DESCRIPTION



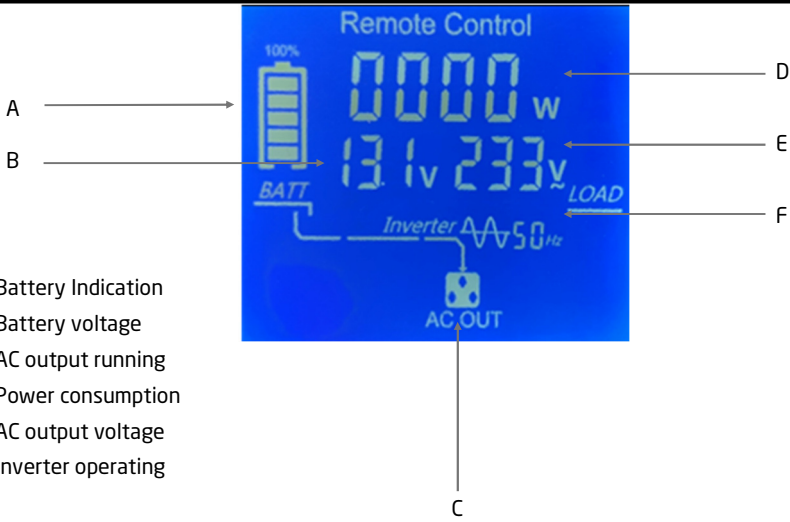
- A) Positive battery terminal (red / +)
- B) Negative battery terminal (black / -)
- C) Cooling vents

TECHNICAL DESCRIPTION 3000W & HYBRID PSI-SERIES



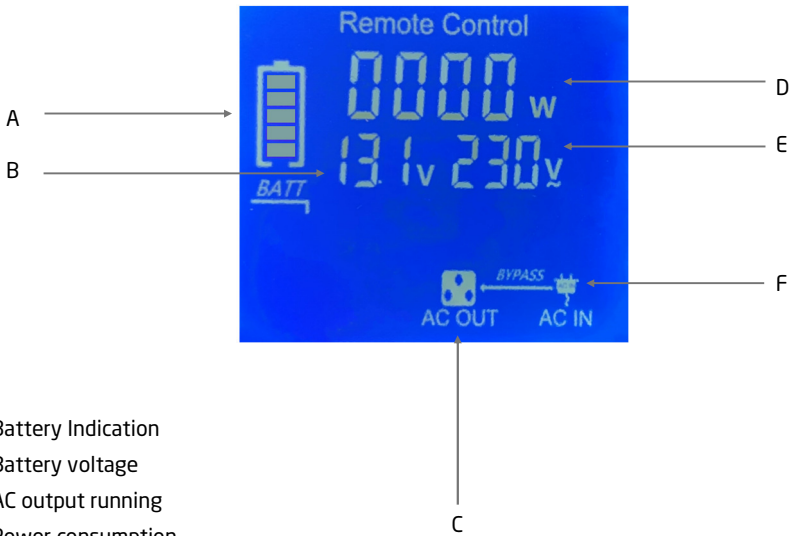
- A) Solar panel input (MC4 Hybrid only)
- B) Output 230V AC connections
- C) Input 230V AC connection
- D) Battery setup dipswitches (Hybrid only)
- E) ECO mode indication led
- F) Power switch
- G) Remote control wiring connection
- H) UPS indication led
- I) Solar charge function indication led (Hybrid only)
- J) Inverter function indication led
- K) 230V AC charge function indication led (Hybrid only)
- L) Fault indication led
- M) AC incoming indication led
- N) USB output
- O) BY-Pass indication led

REMOTE CONTROL DISPLAY INVERTER MODE



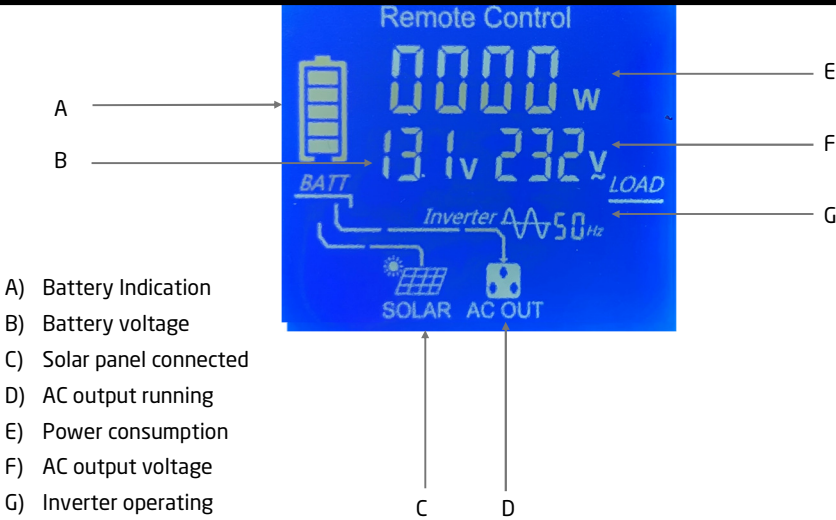
- A) Battery Indication
- B) Battery voltage
- C) AC output running
- D) Power consumption
- E) AC output voltage
- F) Inverter operating

REMOTE CONTROL DISPLAY TRANSFERSWITCH MODE (1000W / 1500W /2000W /3000W)



- A) Battery Indication
- B) Battery voltage
- C) AC output running
- D) Power consumption
- E) AC output voltage
- F) Mains connected (transferswitch/By-pass)

REMOTE CONTROL DISPLAY MPPT SOLAR MODE (HYBRID ONLY)



DIPSWITCH SETTINGS (HYBRID ONLY)

The battery charger function is set using the dip switches on the side of the inverter. The diagram below shows how to set them. When in doubt about which setting you need, please contact your battery supplier.

Setting	Dip switch	Bulk / Absorption	Float	Battery Type
L	SW0	14.6V		LiFePO4
S	SW1	14.8V	13.8V	Flooded
	SW2	15.0V	13.8V	Calcium
	SW3	14.6V	13.6V	AGM
	SW4	14.4V	13.4V	SLA
	SW5	14.2V	13.2V	GEL
Power Supply Mode, Constant Voltage Setting				
	SW6	13.8V		
	SW7	12.0V		

ECO/UPS FUNCTION (1000/1500/2000/3000W)

The inverter is equipped with ECO (energy saving) and UPS setting. In ECO mode, consumption from the battery is preferred. This way, no external incoming voltage is applied as long as there is sufficient capacity from the battery. If you choose the UPS mode (default setting) then external incoming 230V AC voltage is preferred (bypass). In UPS mode, the battery is selected when no external incoming voltage is available.

To switch from UPS to ECO or vice versa, press and hold the power button for 2 seconds.

INSTALLATION & OPERATION



WARNING: Please read this instruction manual carefully before installing and starting up the device. Do not operate the inverter unless you have fully read and understood all the provided information. If you are not confident working with 12V DC voltage or are unsure of what you are doing, consider to seek for help by a professional installation service or your vehicle's manufacturer. Failure to observe these instructions may cause an electrical shock, fatal or serious injury, material damage or impair the function of the inverter.



WARNING: Before installing the inverter, please ensure the main switch is set to position "OFF". Make sure the battery poles are clean when connecting the terminals. Tighten the nuts and bolts to a torque of 12-13 Nm. Loose or dirty connections may cause overheating.



Risk of electrical shock: Operation of the inverter without a proper ground connection may result in an electrical safety hazard. Ensure proper ground connection is made during installation. Do not reverse the polarity. Reversing the polarity of the connections may cause a spark and melt internal fuses.



Observe the relevant regulations and directives of your country! In some country there might be legal regulations that require RCD protection of AC output connections of installations (Residual-current device, also known as RCCB/GFCI). RCDs may be fitted by a licenced electrician in installations.

Fastening the inverter

When selecting the installation location, observe the following instructions:

- The inverter can be mounted horizontally or vertically.
- The installation surface must be level and sufficiently sturdy.
- The inverter must be installed in a place that is protected from dirt, dust and moisture.
- The inverter may not be installed in the presence of flammable materials.
- The place of installation must be well-ventilated. A ventilation system must be present for installations in small, closed spaces.
- The minimum clearance around the inverter should be at least 25 cm.
- Do not block or cover the ventilation holes. Be sure to keep a distance (at least 1 inch) from surrounding objects.

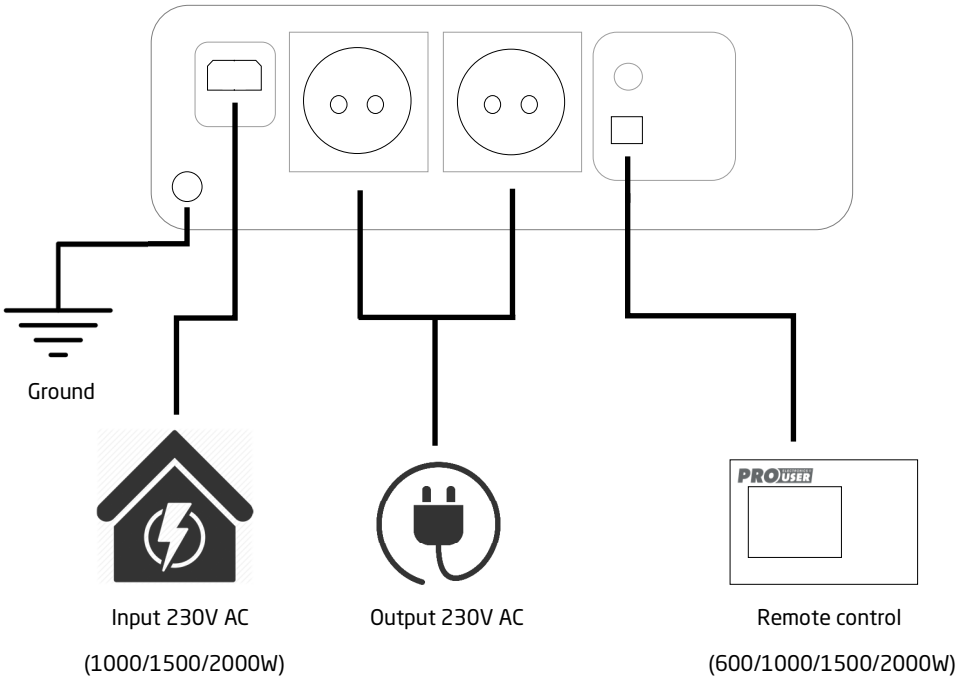
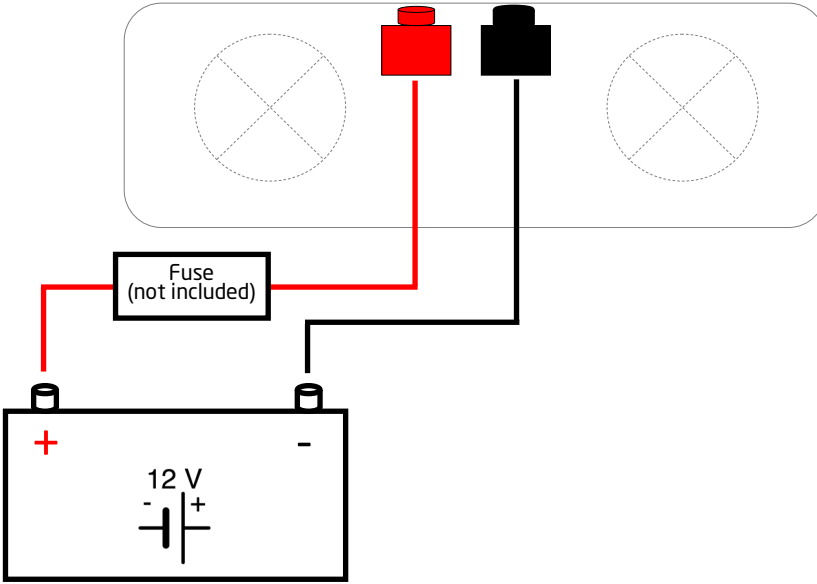
Wiring & Cables



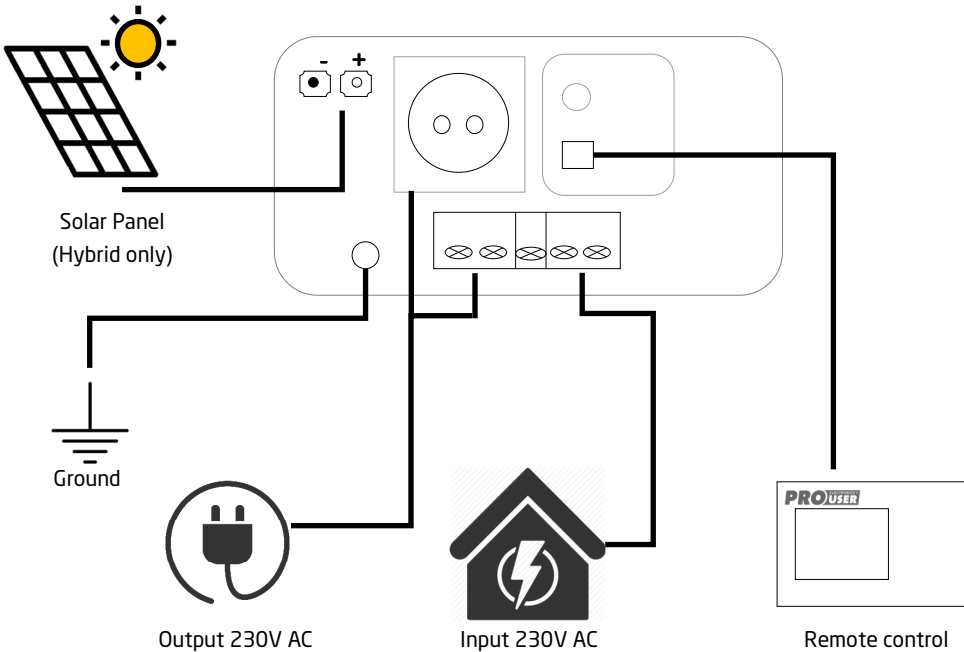
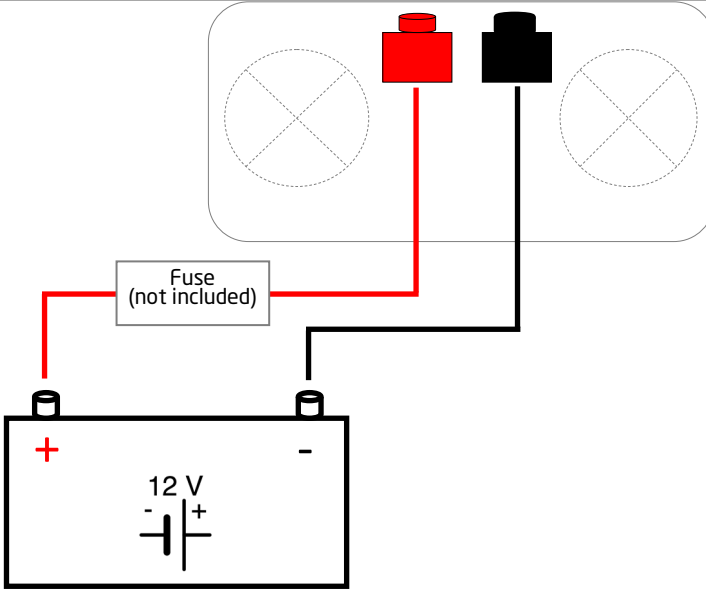
A fuse should be provided at a distance of max. 30 cm from the battery's positive terminal. Failure to do so, may cause damage to the cabling or battery if a fault (e.g. over-current or short circuit) occurs.

Reverse polarity connection may blow the internal fuse and may damage the inverter permanently.

WIRING SCHEME



WIRING SCHEME 3000W & HYBRID PSI-SERIES



Setting-up the inverter

To set up the inverter, use the appropriate cables to:

- connect the positive pole (usually marked with + or coloured in red) of the battery and the positive pole (coloured in red) of the inverter.
- connect the negative pole (usually marked with - or coloured in black) of the battery and the negative pole (coloured in black) of the inverter.
- Automatic Transfer Switch function (by-pass 1000/1500/2000/3000W only).
Connect the 230V AC incoming connection to the input connection using the supplied cable (not included with 3000W/Hybrid). The by-pass function will automatically take effect when a 230V AC external source is connected (UPS mode). When the external source fails, the inverter function switches on automatically.

Ensure to clamp all cables securely.

The Inverter is now ready to use: Push the main switch to power on the device.
Please notice the device functions described in chapter "TECHNICAL DESCRIPTION"

NOTE: You can operate the inverter with your vehicle's engine running or switched off. However, it is recommended to switch off the inverter while starting the engine.

USB port

Connect the USB external appliance to the USB port and switch it on. The USB port on the power inverter provides a power supply of 5V DC for external USB devices.

Remote Port

Connect the remote unit to the remote connection port.

Solar panel connection (MC4 connectors). Hybrid PSI series only.

Install your solar panel on the MC4 connectors. The system itself recognizes the connection and the charging function of the MPPT controller takes effect.

Battery dipswitches settings. Hybrid PSI series only.

To optimally charge your batteries, the Hybrid inverter is equipped with dip switches. See chapter dipswitch settings for the correct settings for your battery.

TROUBLESHOOTING



WARNING! Do not open or disassemble the Inverter. Attempting to service the unit yourself may cause the risk of electrical shock or fire. Please follow the safety instructions when working on the device.

If the device doesn't work at all, an internal fuse might be blown. This happens always for a reason. Maybe there has been a short circuit, when connecting the inverter in wrong polarity. Don't try to replace internal fuses yourself. The inverter has to be checked by the manufacturer or by an authorized service.

TROUBLESHOOTING

Symptom	Possible Cause	Solutions
<p>The main Switch is ON, but there is no 230V AC output or any LED indicator lights on.</p>	<p>There is no voltage at the DC input.</p>	<ul style="list-style-type: none"> • Check that the battery fuse is not blown and intact. • Check that all the DC input connections are tight. • Check the continuity of the DC input circuit. • If using a lithium battery, check to see if it as gone into protection/safe mode, if so, please follow your battery manufacturer's instructions on how to reset the battery.
	<p>The polarity of the DC input has been reversed and blown the internal fuses.</p> <p>(NOTE: This may have caused permanent damage to the inverter, and void all warranty).</p>	<p>The inverter will need to be returned to Pro-User Electronics for further assessment.</p>
<p>The inverter beeps once, Power LED indicator is green. But the connected AC appliance does not turn on.</p>	<ul style="list-style-type: none"> • Loose AC output connections. • Short circuit of AC output wiring. • The AC appliance is faulty. • The AC appliance is switched off. 	<ul style="list-style-type: none"> • Double check that all AC output connections are tight and not loose (Consult a licensed electrician). • Check for short circuits with your AC wiring. • Test the AC appliance on a 230V AC socket. • If there is still no output, contact Pro-User Electronics.

TROUBLESHOOTING

Symptom	Possible Cause	Solutions
The inverter beeps twice.	Low DC input voltage warning. The voltage at the DC input is below $10.5 \pm 0.5V$ DC.	<ul style="list-style-type: none"> • Check that the battery is not flat and fully charged, recharge if low. • Check that the battery cables are thick enough to carry the required current over the required length. Use thicker cable if required. • Check for any loose connections on the DC input circuit.
The inverter beeps three times, the red fault indicator LED illuminates and there is no AC output.	Low DC input voltage protected warning. The voltage at the DC input is below $10 \pm 0.5 V$ DC.	<ul style="list-style-type: none"> • Check that the battery is not flat and fully charged, recharge if low. • Check that the battery cables are thick enough to carry the required current over the required length. Use thicker cable if required. • Check for any loose connections on the DC input circuit.
The inverter beeps four times, the red fault indicator LED illuminates and there is no AC output.	Overvoltage detected on the DC input. When the voltage at the DC input is higher than $16 \pm 0.5V$ DC the AC output will shut down.	<ul style="list-style-type: none"> • Check that the voltage at the DC input terminals do not exceed 16.0V DC if so, attempt to lower the voltage of the battery and check battery charging voltages. • Ensure that maximum charging voltage of any chargers (e.g. solar controller) connected to the battery are set below 16.0V DC.

TROUBLESHOOTING

Symptom	Possible Cause	Solutions
The inverter beeps five times, the red fault indicator LED illuminates and there is no AC output.	The inverter is overheating. When the internal temperature exceeds 75°C the AC output will shut down.	<ul style="list-style-type: none"> • Reset the inverter by turning it off and on again and check to see if the cooling fans are working (fans automatically turn on when the inverter is at 20% load or internal temperatures are at 45°C). If the cooling fans are not functioning, the inverter will need further assessment, please contact Pro-User Electronics. • If the fans are functioning, check that all ventilation slots and fan openings are not obstructed. Also ensure that cool air is being circulated to the inverter and make sure ambient temperatures do not exceed 45°C.
The inverter beeps eleven times, the red fault indicator LED illuminates and the inverter shuts down.	The inverter has detected a short circuit at the AC output.	Please check that the connected device is not faulty and check if there are no short circuits in the AC circuit.
The inverter is beeping continuously, the red fault indicator LED illuminates and there is no AC output.	The inverter has shut down due to overload. Connected load has exceeded the surge rating of the inverter.	<ul style="list-style-type: none"> • Disconnect the connected load. • Reduce the connected load.

TECHNICAL SPECIFICATIONS

Model	PSI300	PSI400	PSI600	PSI1000TX
Battery Voltage	10.5V – 16V	10.5V – 16V	10.5V – 16V	10.5V – 16V
Standby Current	≤0.25A	≤0.35A	≤0.46A	≤0.56A
Recommended Battery Capacity	SLA/Gel/AGM: ≥40Ah	SLA/Gel/AGM: ≥50Ah	SLA/Gel/AGM: ≥100Ah	SLA/Gel/AGM: ≥160Ah
AC Output Voltage	230V	230V	230V	230V
Frequency	50Hz	50Hz	50Hz	50Hz
Transferswitch	No	No	No	Yes
Rated Output Power	300W	400W	600W	1000W
Surge Power	450W (10s)	600W (10s)	900W (10s)	1500W (10s)
Peak Power	600W (2s)	800W (2s)	1200W (2s)	2000W (2s)
Efficiency	≥90%	≥90%	≥90%	≥90%
USB Output	5V / 2.1A	5V / 2.1A	5V / 2.1A	5V / 2.1A
Dimensions LxWxH	165x150x75mm (housing) 215x150x75mm (incl. terminals)	185x150x75mm (housing) 235x150x75mm (incl. terminals)	215x150x75mm (housing) 265x150x75mm (incl. terminals)	355x150x75mm (housing) 405x150x75mm (incl. terminals)
Weight	1.4kg	1.6kg	1.9kg	2.8kg
Operating	-15°C – 40°C	-15°C – 40°C	-15°C – 40°C	-15°C – 40°C
Storage Temperature	-40°C – 85°C	-40°C – 85°C	-40°C – 85°C	-40°C – 85°C
Cooling	Air-Cooled	Air-Cooled	Air-Cooled	Air-Cooled
Remote Control with wiring	Optional	Optional	Included	Included
Battery Wiring	4mm ² (80cm)	4mm ² (80cm)	6mm ² (80cm)	10mm ² (80cm)

TECHNICAL SPECIFICATIONS

Model	PSI1500TX	PSI2000TX	PSI3000TX	PSI3000TX Hybrid
Battery Voltage	10.5V – 16V	10.5V – 16V	10.5V – 16V	10.5V – 16V
Standby Current	≤0.65A	≤0.7A	≤1.2A	≤1.2A
Recommended Battery Capacity	SLA/Gel/AGM: ≥250Ah	SLA/Gel/AGM: ≥320Ah	SLA/Gel/AGM: ≥480Ah	SLA/Gel/AGM: ≥480Ah
AC Output Voltage	230V	230V	230V	230V
Frequency	50Hz	50Hz	50Hz	50Hz
Transferswitch (by-pass)	Yes	Yes	Yes	Yes
Rated Output Power	1500W	2000W	3000W	3000W
Surge Power	2250W (10s)	3000W (10s)	4500W (10s)	4500W (10s)
Peak Power	3000W (2s)	4000W (2s)	6000W (2s)	6000W (2s)
Efficiency	≥90%	≥90%	≥90%	≥90%
USB Output	5V / 2.1A	5V / 2.1A	5V / 2.1A	5V / 2.1A
Dimensions LxWxH	320x220x90mm (housing) 380x220x85mm (incl. terminals)	385x220x85mm (housing) 440x220x85mm (incl. terminals)	415x220x150mm (housing) 510x220x150mm (incl. terminals)	415x220x150mm (housing) 515x220x150mm (incl. terminals)
Weight	4.1kg	5.0kg	7.6kg	8.6kg
Operating Temperature	-15°C – 40°C	-15°C – 40°C	-15°C – 40°C	-15°C – 40°C
Storage Temperature	-40°C – 85°C	-40°C – 85°C	-40°C – 85°C	-40°C – 85°C
Cooling	Air-Cooled	Air-Cooled	Air-Cooled	Air-Cooled
Remote Control with wiring	Included	Included	Included	Included
Battery Wiring	16mm ² (80cm)	25mm ² (80cm)	35mm ² (80cm)	35mm ² (80cm)
Solar Connection MC4	No	No	No	Yes
MPPT Charger 20A	No	No	No	Yes
Battery Charger 20A	No	No	No	Yes

MAINTENANCE

Make sure that the inverter is turned off while performing any maintenance. To keep your inverter operating properly, there is very little maintenance required. You should clean the exterior periodically with a dry cloth to prevent the build-up of dust and dirt. Also check and tighten the fasteners on the DC input terminals.

Warranty

Pro-User Electronics warrants this product for a period of 2 years from the date of purchase to the original purchaser. Warranty is not transferable. Warranty covers defect against workmanship and materials only. To obtain warranty service, please return the unit to the place of purchase or authorized Pro-User Electronics dealer together with your proof of purchase. The warranty is void if the product has been damaged or not used as described in this manual. Warranty is void if a non-authorized repair has been performed. Pro-User Electronics makes no other warranty expressed or implied. Pro-User Electronics is only responsible for repair or replacement of the defective product and is not responsible for any consequential damage or inconvenience caused by the defect.

Contact information:

Tradekar Benelux BV
Ohmweg 1
4104 BM Culemborg
The Netherlands
+31(0)345470990
Info@tradekar.com

Pro-User Electronics is part of Tradekar House of Leisure Brands

WWW.PRO-USER.COM



Lesen Sie diese Betriebsanleitung, bevor Sie dieses Produkt benutzen. Eine Nichtbeachtung kann zu schweren Verletzungen führen.

INHALT

Einleitung	P.23
Wichtige Sicherheitshinweise	P.23
Allgemeine Hinweise	P.26
Packungsinhalt	P.26
Technische Beschreibung	P.27
Fernbedienung	P.30
Dip-Schalter-Einstellungen (nur Hybrid)	P.31
ECO/UPS-Funktion	P.31
Einbau und Betrieb	P.32
Verdrahtungsschema	P.33
Fehlersuche	P.35
Technische Daten	P.39
Wartung	P.41
Garantie	P.41

EINLEITUNG

Die pure sine wave inverters sind ein Mitglied der Familie der fortschrittlichen mobilen Wechselrichter von Pro-User Electronics. Ihr Pro-User Electronics Sinuswechselrichter ermöglicht es Ihnen, eine reine Sinusspannung von 230 V AC 50 Hz aus einer 12 V DC Batterie zu erzeugen, wohin auch immer Ihre Reisen Sie führen. Als Bonus haben wir 1 USB-Port eingebaut, über den Sie z.B. Ihr Navi, Handy, Tablet oder andere USB-Geräte mit Strom versorgen oder aufladen können. Dank der hochwertigen reinen Sinusspannung und der ausgezeichneten Überlastfähigkeit funktionieren auch empfindliche elektronische Geräte einwandfrei.

Mit der kabelgebundenen Fernbedienung können Sie Ihren Wechselrichter auf bequeme Art und Weise überwachen und steuern.

Wir haben zahlreiche Maßnahmen zur Qualitätskontrolle ergriffen, um sicherzustellen, dass Ihr Produkt in bestem Zustand ankommt und zu Ihrer Zufriedenheit funktioniert.

Bitte lesen und befolgen Sie die Sicherheits- und Bedienungshinweise sorgfältig. Die Nichtbeachtung dieser Hinweise kann zu schweren Unfällen mit Sachschäden, schweren oder sogar tödlichen Verletzungen führen. Wenn das Gerät an eine andere Person weitergegeben wird, muss auch diese Anleitung mitgegeben werden.

WICHTIGE SICHERHEITSHINWEISE



ACHTUNG: Bitte lesen Sie diese Bedienungsanleitung vor der Installation und Inbetriebnahme des Geräts sorgfältig durch. Nehmen Sie den Wechselrichter erst dann in Betrieb, wenn Sie alle Informationen vollständig gelesen und verstanden haben. Wenn Sie sich im Umgang mit 12 V Gleichspannung nicht sicher sind oder nicht wissen, was Sie tun, suchen Sie die Hilfe eines professionellen Installationsdienstes oder des Herstellers Ihres Fahrzeugs. Die Nichtbeachtung dieser Hinweise kann einen elektrischen Schlag, tödliche oder schwere Verletzungen, Sachschäden oder eine Beeinträchtigung der Funktion des Wechselrichters zur Folge haben.

Pro-User Electronics übernimmt keine Haftung für direkte oder indirekte Schäden, die durch eine fehlerhafte Montage oder einen fehlerhaften Anschluss, eine Verwendung von beschädigten oder veränderten Produkten, eine Verwendung für andere als die beschriebenen Zwecke und insbesondere durch die Nichtbeachtung dieser Anleitung entstehen.

Allgemein:

- Elektrische Geräte sind kein Spielzeug. Halten Sie das Produkt von Kindern fern.
- Verwenden Sie das Produkt nur für die in der Bedienungsanleitung beschriebenen Zwecke.
- Überprüfen Sie nach dem Öffnen der Verpackung alle Teile auf sichtbare Schäden. Wenn Sie einen Schaden gefunden haben, wenden Sie sich bitte an das Unternehmen, bei dem Sie das Gerät gekauft haben.
- Schalten Sie bei Arbeiten am Gerät immer die Stromversorgung ab (auch die Verbindung zur Batterie und zu einem optionalen Solarpanel).

- Verwenden Sie nur zugelassenes Zubehör (insbesondere alle Kabel) oder Teile, die den Anforderungen vollständig entsprechen. Der Installateur ist dafür verantwortlich, dass die richtigen Kabel- und Sicherungsgrößen verwendet werden.
- Die Oberflächentemperatur kann bis zu 65°C erreichen. Schalten Sie das Gerät sofort aus und verwenden Sie es nicht mehr, wenn es raucht oder ein abnormales Verhalten zeigt.
- Dieses Gerät ist nicht dafür bestimmt, durch Personen (einschließlich Kinder) mit eingeschränkten physischen, sensorischen oder geistigen Fähigkeiten oder mangels Erfahrung und mangels Wissen benutzt zu werden, es sei denn, sie werden durch eine für ihre Sicherheit zuständige Person beaufsichtigt oder erhielten von ihr Anweisungen, wie das Gerät zu benutzen ist. Kinder sollten beaufsichtigt werden, um sicherzustellen, dass sie nicht mit dem Gerät spielen.
- Die Installation des Gerätes, Wartungs- und Reparaturarbeiten dürfen nur von qualifizierten Personen durchgeführt werden, die mit den damit verbundenen Gefahren, den einschlägigen Vorschriften und den anzuwendenden Richtlinien und Sicherheitsvorkehrungen vertraut sind.
- Zerlegen Sie den Wechselrichter nicht, da der interne Schaltkreis gefährliche Spannungen enthält. Der Versuch, das Gerät selbst zu warten, kann zu einem elektrischen Schlag oder Brand führen und die Garantie des Geräts erlöschen lassen.
- Halten Sie Metallgegenstände oder andere Materialien, die einen Kurzschluss an den Klemmen der Batterie oder des Wechselrichters verursachen können, stets sicher fern. Ein daraus resultierender Funke oder Kurzschluss kann nicht nur das Gerät beschädigen, sondern auch eine Explosion verursachen und möglicherweise einen Strom erzeugen, der hoch genug ist, um einen Ring oder ähnliches an Metall zu schweißen. Legen Sie persönliche Metallgegenstände wie Ringe, Armbänder, Halsketten und Uhren ab, wenn Sie am Gerät oder an der Batterie arbeiten.
- Betreiben Sie den Wechselrichter nur, wenn alle Kabel und das Gehäuse unbeschädigt sind und alle Anschlüsse fest und sauber sind. Lose oder verschmutzte Anschlüsse können zu Überhitzung, elektrischer Funkenbildung und Feuer führen.
- Verbinden Sie die AC-Ausgangsklemmen des Wechselrichters nicht mit einer eingehenden AC-Quelle (oder dem Netz).
- Schließen Sie die DC-Eingangsklemmen des Wechselrichters nicht an eine eingehende AC-Quelle an.
- Verwenden Sie den Wechselrichter niemals an Fahrzeugen, bei denen der Pluspol der Batterie mit dem Chassis verbunden ist.
- Schließen Sie niemals Kabel mit umgekehrter Polarität an oder schließen Sie angeschlossene Kabel kurz. Dadurch können interne Sicherungen durchbrennen und der Wechselrichter kann dauerhaft beschädigt werden.
- Eine Sicherung sollte in einem Abstand von max. 30 cm vom Pluspol der Batterie entfernt sein. Andernfalls kann es im Falle eines Fehlers (z. B. Überstrom oder Kurzschluss) zu Schäden an der Verkabelung oder der Batterie kommen. Verwenden Sie nur hochwertige Kupferkabel und halten Sie die Kabellänge kurz.
- Betreiben Sie keine Geräte, die Netzstrom in den Wechselrichter zurückführen können. Dies könnte den Wechselrichter beschädigen.
- Achten Sie auf einen festen Stand des Geräts. Das Gerät muss so aufgestellt und befestigt werden, dass es nicht umkippen oder herunterfallen kann.
- Schließen Sie niemals Geräte an, die einen höheren Leistungsbedarf haben als die Spitzenausgangsleistung des Wechselrichters. Beachten Sie, dass manche Geräte mehr Anlaufstrom benötigen, als auf dem Typenschild des Geräts angegeben ist.

Arbeiten mit Batterien

- Batterien können große Mengen an Energie speichern und eine unsachgemäße Handhabung kann gefährlich sein. Schließen Sie niemals eine Batterie mit einer ungeeigneten Spannung oder andere ungeeignete oder beschädigte Batterien an.
- Halten Sie Kinder von Batterien und Säure fern.

- Vermeiden Sie, dass Elektrolyt auf Ihre Haut oder Kleidung gelangt. Es ist säurehaltig und kann Verbrennungen verursachen. Wenn Batteriesäure mit Haut oder Kleidung in Berührung kommt, waschen Sie sie sofort mit Wasser ab. Backpulver neutralisiert den Elektrolyt der Bleibatterie. Wenn Elektrolyt in Ihre Augen gelangt, spülen Sie sie sofort mindestens 20 Minuten lang mit fließendem kaltem Wasser aus und suchen Sie sofort einen Arzt auf. Ein Augenschutz wird daher empfohlen.
- Halten Sie Metallgegenstände oder andere Materialien, die die Pole der Batterie oder des Wechselrichters kurzschließen können, immer sicher fern.
- Schalten Sie das Gerät aus, bevor Sie die Verbindungen zum Akku herstellen oder trennen.
- Beachten Sie die technischen Hinweise des Verkäufers oder des Herstellers Ihrer Batterie.
- Prüfen Sie, ob alle Anschlüsse fest und sauber sind. Lose oder verschmutzte Anschlüsse können zu Überhitzung, Funkenbildung und Feuer führen. Verwenden Sie bei Bedarf Klemmenfett.
- Rauchen Sie nicht und lassen Sie keine Funken oder Flammen in der Nähe der Batterie entstehen.
- Versuchen Sie niemals, einen beschädigten oder eingefrorenen Batterie zu laden.
- Stellen Sie das Gerät nicht direkt auf den Batterie oder umgekehrt oder auf eine Oberfläche aus brennbarem Material.
 - Lesen Sie die Bedienungsanleitung Ihres Fahrzeugs. Einige Fahrzeughersteller stellen möglicherweise besondere Anforderungen an das Laden oder Entladen der Fahrzeugbatterie (z. B. Sicherungen, die entfernt werden müssen, oder bestimmte Sicherheitsanforderungen).

Umwelt

- Verwenden Sie das Produkt nur in Umgebungen von 0°C ~ 45°C.
- Betreiben Sie das Produkt nicht in feuchten, nassen oder staubigen Umgebungen: Setzen Sie den Wechselrichter niemals Regen oder Schnee aus. Andernfalls können der Wechselrichter oder andere im System installierte Geräte beschädigt werden oder es kann zu einem elektrischen Schlag oder Brand kommen. Betreiben Sie das Gerät nicht in explosionsgefährdeten Umgebungen, z. B. in der Nähe von brennbaren Flüssigkeiten, Gasen oder Staub. Legen Sie in der Nähe des Wechselrichters keine Batterien oder andere Gegenstände ab, die vor Funkenbildung geschützt werden müssen. Dies kann zu einem Brand oder einer Explosion führen.
- Um einen Hitzestau zu vermeiden, darf das Gerät nicht abgedeckt werden. Um eine Überhitzung zu vermeiden, stellen Sie sicher, dass die Lufteinlässe und die Belüftung nicht behindert werden. Setzen Sie das Gerät nicht einer Wärmequelle aus (z. B. direktem Sonnenlicht oder einer Heizung). Vermeiden Sie auf diese Weise eine zusätzliche Erwärmung des Geräts.

Elektrische Leitungen

- Wenn Kabel durch Metalllöcher oder andere Wände mit scharfen Kanten geführt werden müssen, verwenden Sie Durchführungen oder Kabeldurchführungen, um Schäden zu vermeiden.
- Verlegen Sie keine losen oder geknickten Kabel in der Nähe von elektrisch leitendem Material (Metall).
- Ziehen Sie nicht an den Kabeln.
- Vermeiden Sie es, 230 V AC-Netzkabel und 12 V DC-Kabel im selben Kanal zu verlegen.
- Verhindern Sie, dass man auf die Kabel tritt, über sie stolpert oder sie z. B. durch scharfe Kanten oder heiße Oberflächen beschädigt werden.

ALLGEMEINE HINWEISE

Verwendungszweck

Der Pro-User Electronics Sinus-Wechselrichter wandelt eine 12V-Gleichspannung (z.B. eine Batterie oder eine andere 12V-Quelle, die den benötigten Strom liefern kann) in eine 200-240V 50Hz AC reine Sinusspannung um. Der eingebaute USB-Anschluss ist für die Stromversorgung oder das Aufladen von 5-V-USB-Geräten vorgesehen (die maximale Stromstärke muss beachtet werden). Die kabelgebundene Fernbedienung ermöglicht es dem Benutzer, den Wechselrichter auf bequeme Weise zu überwachen und zu steuern.

Verpackungsmaterialien

Um Erstickungsgefahr zu vermeiden, lassen Sie Kinder nicht mit Folien oder anderem Füllmaterial spielen. Entfernen Sie alle Schutzabdeckungen, bevor Sie das Gerät in Betrieb nehmen.

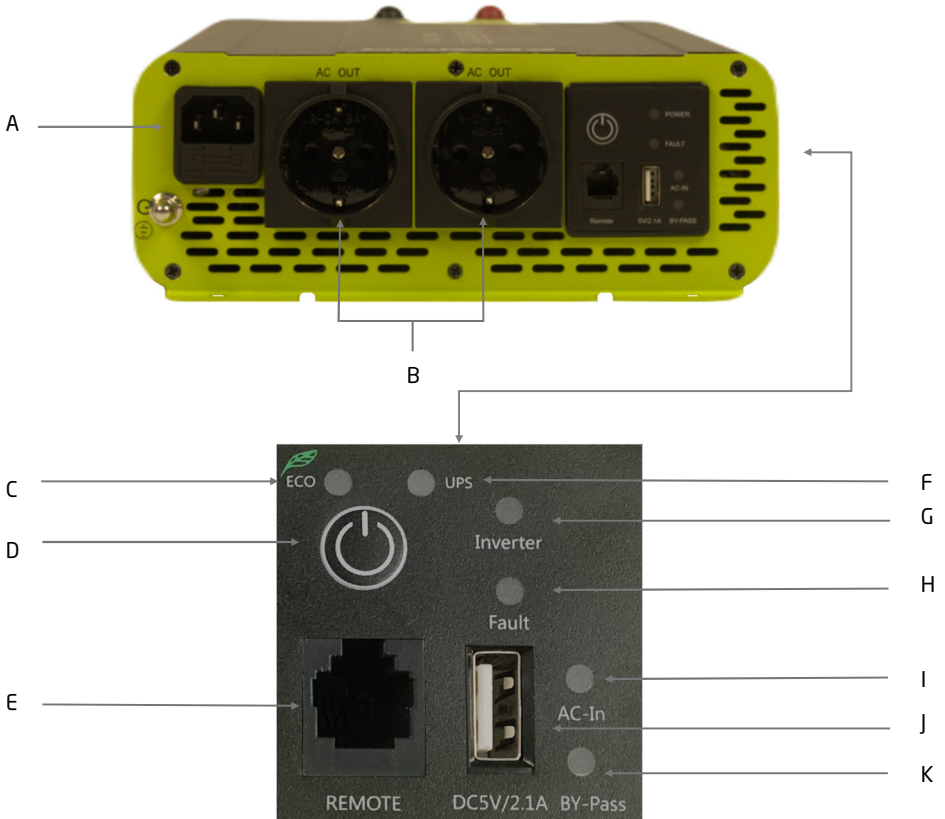
Lagerung

Lagern Sie den Wechselrichter bei Nichtgebrauch in einer trockenen Umgebung. Bewahren Sie das Gerät an einem sicheren Ort außerhalb der Reichweite von Kindern auf. Schützen Sie das Gerät vor direkter Sonneneinstrahlung, Hitze und Feuchtigkeit.

PACKUNGSINHALT

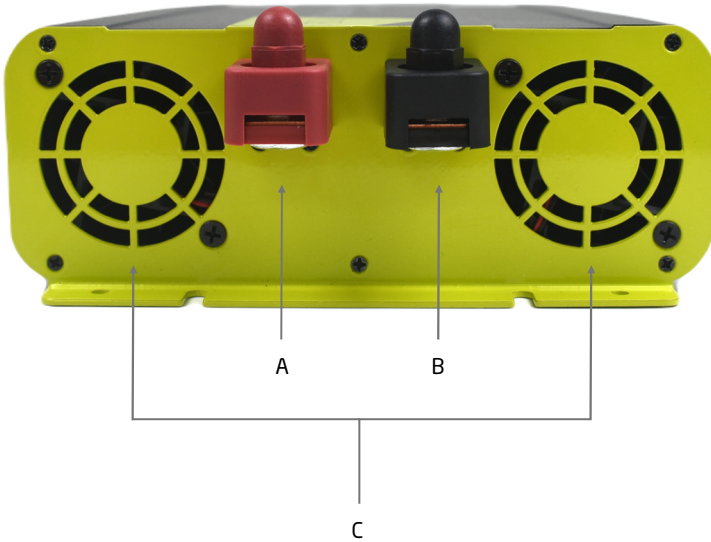
- 1x Pro-User Electronics pure sine wave inverter
- 1x Fernbedienung (600/1000/1500/2000/3000W)
- 1x Verkabelung der Fernbedienung (600/1000/1500/2000/3000W)
- 1x Befestigungsrahmen für die Fernbedienung (600/1000/1500/2000/3000W)
- 1x Batterie-Kabelsatz
- 1x 230V Anschlusskabel (1000/1500/2000W)
- 1x Betriebsanleitung

TECHNISCHE BESCHREIBUNG



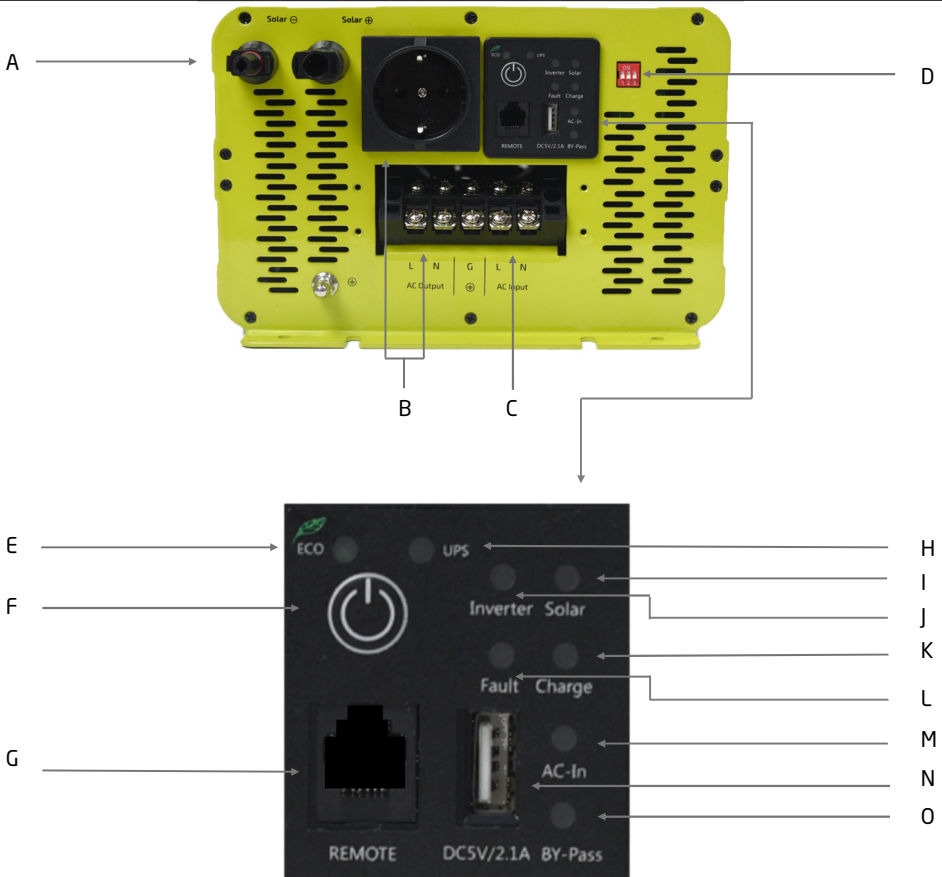
- A) Eingehender 230V AC-Anschluss (1000W / 1500W / 2000W)
- B) Ausgang 230V AC Steckdose
- C) ECO-Modus-Anzeige-LED (1000W / 1500W / 2000W / 3000W)
- D) Ein/Aus-Schalter
- E) Verdrahtungsanschluss für die Fernbedienung
- F) UPS-Modus-Anzeige-LED (1000W / 1500W / 2000W / 3000W)
- G) Funktionsanzeige-LED des Wechselrichters
- H) Störungsanzeige-LED
- I) AC-Eingangsanzeige-LED
- J) USB ausgang
- K) BY-Pass Anzeige-LED

TECHNISCHE BESCHREIBUNG



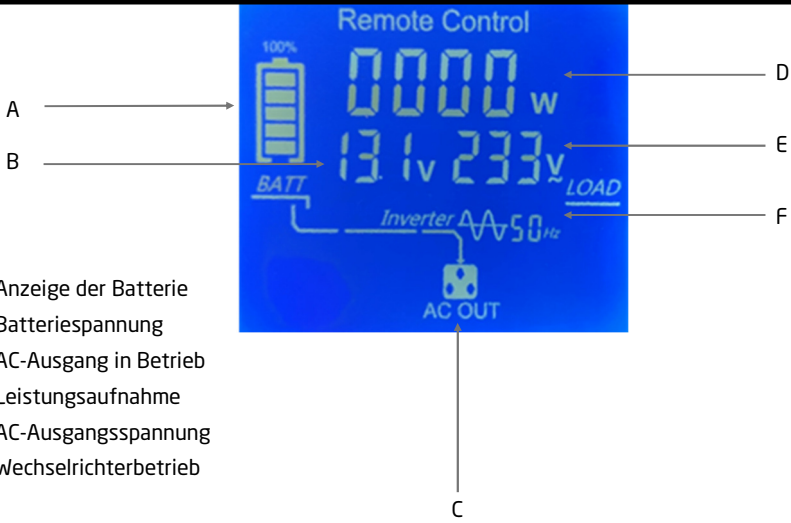
- A) Positiver Batteriepol (rot / +)
- B) Negativer Batteriepol (schwarz / -)
- C) Kühlungsöffnungen

TECHNISCHE BESCHREIBUNG 3000W PSI & HYBRID SERIEN

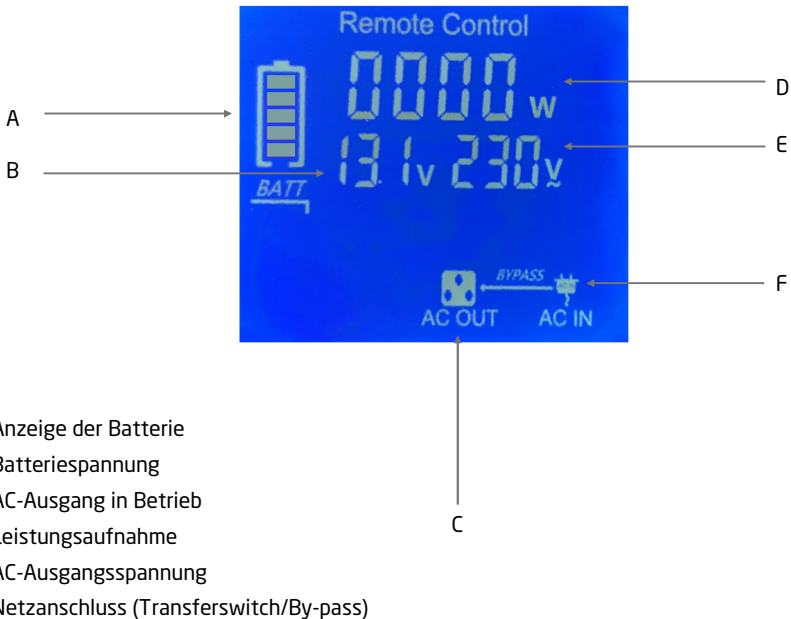


- A) Solarmodul-Eingang (MC4 Nur Hybrid)
- B) Ausgang 230V AC Anschlüsse
- C) Eingang 230V AC Anschluss
- D) DIP-Schalter für Batterieeinstellungen (Nur Hybrid)
- E) ECO-Modus-Anzeige-LED
- F) Ein/Aus-Schalter
- G) Verdrahtungsanschluss für die Fernbedienung
- H) UPS-Modus-Anzeige-LED
- I) LED-Anzeige der Solarladefunktion (Nur Hybrid)
- J) Funktionsanzeige-LED des Wechselrichters
- K) LED-Anzeige der Ladefunktion 230V AC (Nur Hybrid)
- L) Störungsanzeige-LED
- M) AC-Eingangsanzeige-LED
- N) USB ausgang
- O) BY-Pass Anzeige-LED

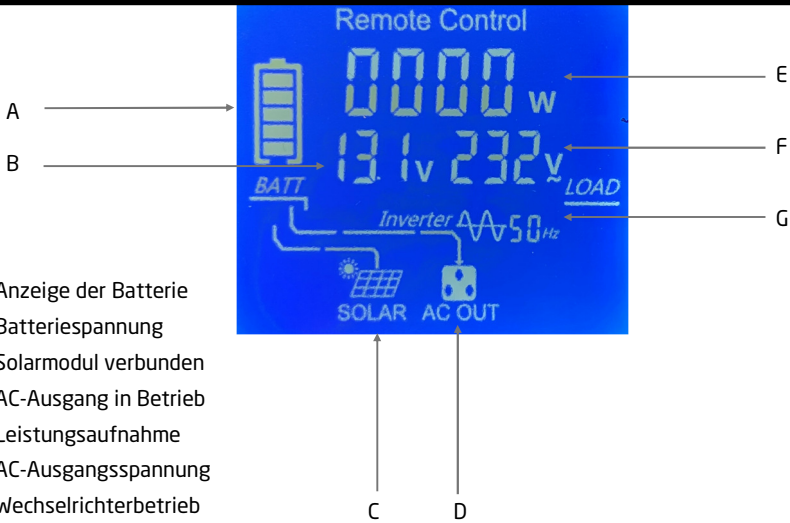
FERNBEDIENUNGSANZEIGE WECHSELRICHTERBETRIEB



FERNBEDIENUNGSANZEIGE TRANSFERSWITCH MODUS (1000/1500/2000/3000W)



FERNBEDIENUNGSANZEIGE MPPT SOLAR MODE (NUR HYBRID)



DIP-SCHALTER-EINSTELLUNGEN (NUR HYBRID)

Die Batterieladefunktion wird mit den Dip-Schaltern an der Seite des Wechselrichters eingestellt. Das folgende Diagramm zeigt, wie sie eingestellt werden. Wenden Sie sich im Zweifelsfall an Ihren Batterielieferanten, um zu erfahren, welche Einstellung Sie benötigen.

Setting	Dip switch	Bulk / Absorption	Float	Battery Type
L	<input type="checkbox"/> <input type="checkbox"/> SW0	14.6V		LiFePO4
S	<input type="checkbox"/> <input type="checkbox"/> SW1	14.8V	13.8V	Flooded
	<input type="checkbox"/> <input type="checkbox"/> SW2	15.0V	13.8V	Calcium
	<input type="checkbox"/> <input type="checkbox"/> SW3	14.6V	13.6V	AGM
	<input type="checkbox"/> <input type="checkbox"/> SW4	14.4V	13.4V	SLA
	<input type="checkbox"/> <input type="checkbox"/> SW5	14.2V	13.2V	GEL
Power Supply Mode, Constant Voltage Setting				
	<input type="checkbox"/> <input type="checkbox"/> SW6	13.8V		
	<input type="checkbox"/> <input type="checkbox"/> SW7	12.0V		

ECO/UPS-FUNKTION (1000/1500/2000/3000w)

Der Wechselrichter ist mit den Einstellungen ECO (Energiesparen) und UPS ausgestattet. Im ECO-Modus wird der Verbrauch aus der Batterie bevorzugt. Auf diese Weise wird keine externe Eingangsspannung angelegt, solange die Kapazität der Batterie ausreichend ist. Wenn Sie den UPS-Modus wählen (Standardeinstellung), wird eine externe Eingangsspannung von 230 V AC bevorzugt (By-pass). Im UPS-Modus wird die Batterie ausgewählt, wenn keine externe Eingangsspannung verfügbar ist.

EINBAU UND BETRIEB



WARNUNG: Bitte lesen Sie diese Betriebsanleitung vor der Installation und Inbetriebnahme des Gerätes sorgfältig durch. Nehmen Sie den Wechselrichter nicht in Betrieb, bevor Sie nicht alle Informationen vollständig gelesen und verstanden haben. Wenn Sie sich im Umgang mit 12 V Gleichspannung nicht sicher sind oder nicht wissen, was Sie tun, sollten Sie einen professionellen Installationsdienst oder den Hersteller Ihres Fahrzeugs um Hilfe bitten. Die Nichtbeachtung dieser Hinweise kann einen elektrischen Schlag, tödliche oder schwere Verletzungen, Sachschäden oder eine Beeinträchtigung der Funktion des Wechselrichters zur Folge haben.



WARNUNG: Stellen Sie vor der Installation des Wechselrichters sicher, dass der Hauptschalter auf "OFF" steht. Stellen Sie sicher, dass die Batteriepole beim Anschließen der Klemmen sauber sind. Ziehen Sie die Schrauben und Muttern mit einem Drehmoment von 12-13 Nm an. Lose oder verschmutzte Anschlüsse können zu Überhitzung führen.



Gefahr eines Stromschlags: Der Betrieb des Wechselrichters ohne ordnungsgemäßen Erdungsanschluss kann zu einem elektrischen Sicherheitsrisiko führen. Achten Sie bei der Installation auf einen ordnungsgemäßen Erdungsanschluss. Die Polarität darf nicht umgekehrt werden. Eine Verpolung der Anschlüsse kann zu Funkenbildung und zum Schmelzen der internen Sicherungen führen.



Beachten Sie die einschlägigen Vorschriften und Richtlinien Ihres Landes! In einigen Ländern gibt es gesetzliche Vorschriften, die einen FI-Schutzschalter für die AC-Ausgangsanschlüsse von Anlagen vorschreiben (Fehlerstromschutzschalter, auch RCCB/GFCI genannt). FI-Schutzschalter können von einem zugelassenen Elektriker in Installationen eingebaut werden.

Befestigung des Wechselrichters

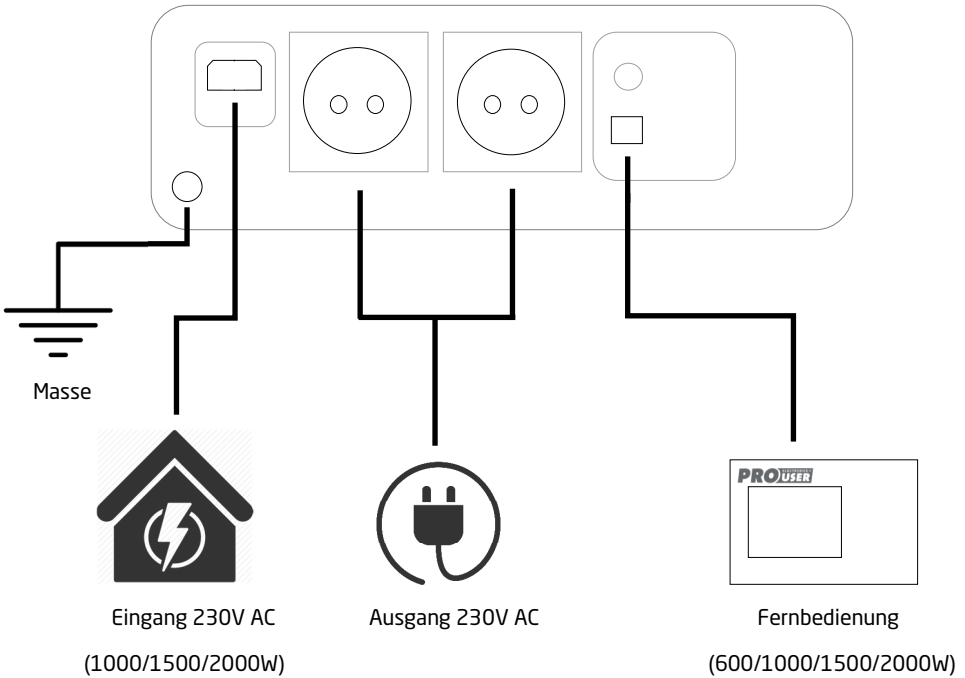
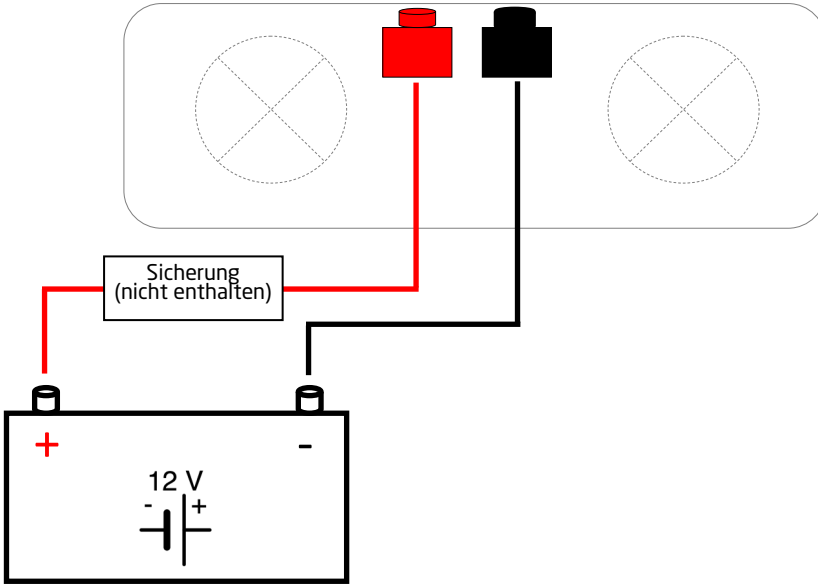
Beachten Sie bei der Wahl des Aufstellungsortes die folgenden Hinweise:

- Der Wechselrichter kann waagrecht oder senkrecht montiert werden.
- Die Aufstellfläche muss eben und ausreichend stabil sein.
- Der Wechselrichter muss an einem Ort installiert werden, der vor Schmutz, Staub und Feuchtigkeit geschützt ist.
- Der Wechselrichter darf nicht in der Nähe von brennbaren Materialien installiert werden.
- Der Aufstellungsort muss gut belüftet sein. Bei Installationen in kleinen, geschlossenen Räumen muss ein Belüftungssystem vorhanden sein.
- Der Mindestabstand um den Wechselrichter sollte mindestens 25 cm betragen.
- Die Lüftungsöffnungen dürfen nicht blockiert oder abgedeckt werden. Achten Sie darauf, dass Sie einen Abstand (mindestens 2,5 cm) zu den umliegenden Gegenständen einhalten.

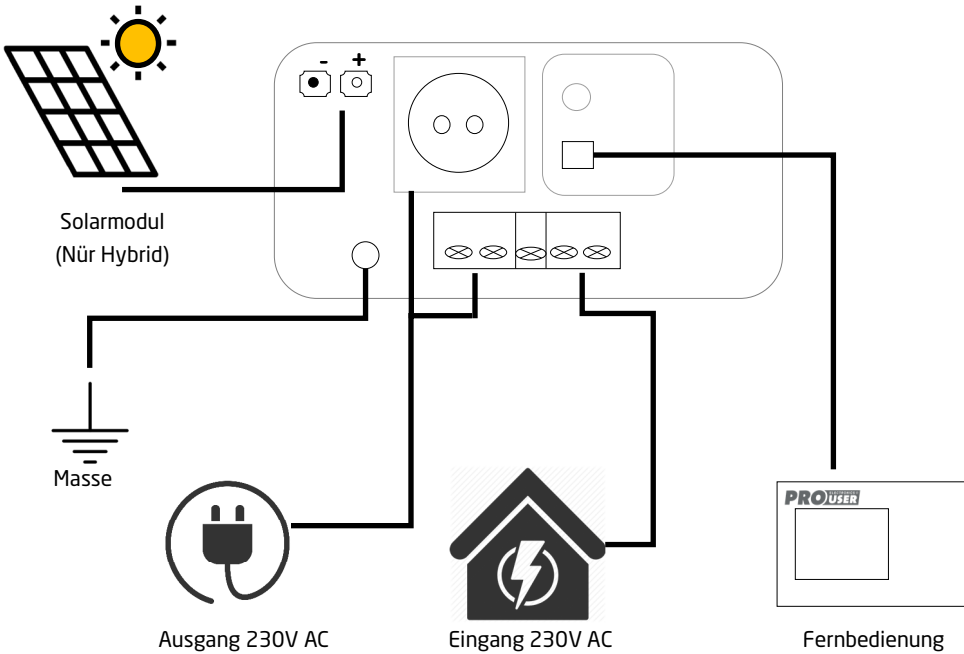
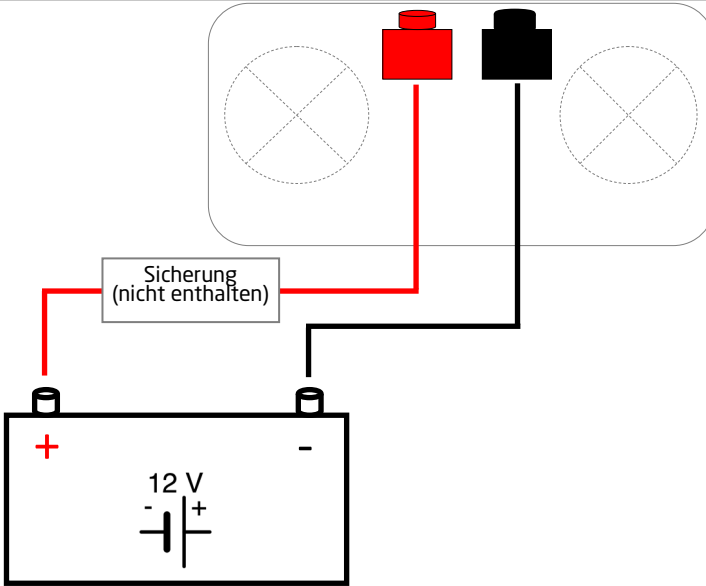


Eine Sicherung sollte in einem Abstand von max. 30 cm vom Pluspol der Batterie Pol vorgesehen werden. Andernfalls kann es im Falle eines Fehlers (z. B. Überstrom oder Kurzschluss) zu Schäden an der Verkabelung oder der Batterie kommen. Eine Verpolung des Anschlusses kann zum Durchbrennen der internen Sicherung und zur dauerhaften Beschädigung des Wechselrichters führen.

VERDRÄHTUNGSSCHEMA



VERDRÄHTUNGSSCHEMA 3000W & HYBRID PSI-SERIES



Installation des Wechselrichters

Verwenden Sie die entsprechenden Kabel, um den Wechselrichter zu installieren:

- Verbinden Sie den Pluspol (in der Regel mit + gekennzeichnet oder rot gefärbt) der Batterie und den Pluspol (rot gefärbt) des Wechselrichters.
- Verbinden Sie den Minuspol (in der Regel mit - gekennzeichnet oder schwarz eingefärbt) der Batterie und den Minuspol (schwarz eingefärbt) des Wechselrichters.
- Automatische Umschaltfunktion ("Bypass" nur 1000/1500/2000/3000W).
Verbinden Sie den 230V AC-Eingangsanschluss über das mitgelieferte Kabel (nicht bei 3000W/Hybrid) mit dem Eingangsanschluss. Die Bypass-Funktion wird automatisch wirksam, wenn eine externe 230V AC-Quelle angeschlossen ist ("UPS-Modus"). Wenn die externe Quelle ausfällt, schaltet sich die Wechselrichterfunktion automatisch ein.

Achten Sie darauf, alle Kabel sicher zu befestigen.

Der Wechselrichter ist nun einsatzbereit: Drücken Sie den Hauptschalter, um das Gerät einzuschalten. Bitte beachten Sie die im Handbuch unter "TECHNISCHE BESCHREIBUNG" beschriebenen Gerätefunktionen.

HINWEIS: Sie können den Wechselrichter bei laufendem oder ausgeschaltetem Motor Ihres Fahrzeugs betreiben. Es wird jedoch empfohlen, den Wechselrichter beim Starten des Motors auszuschalten.

USB-Anschluss

Schließen Sie das externe USB-Gerät an den USB-Anschluss an und schalten Sie es ein. Der USB-Anschluss des Wechselrichters bietet eine Stromversorgung von 5 V DC für externe USB-Geräte.

Fernbedienungsanschluss

Schließen Sie das Fernbedienungsgerät an den Fernbedienungsanschluss an.

Solarmodulanschluss (MC4-Stecker Nur Serie Hybrid PSI).

Installieren Sie Ihr Solarmodul an den MC4-Anschlüssen. Das System selbst erkennt den Anschluss und die Ladefunktion des MPPT-Reglers wird wirksam.

FEHLERSUCHE



WARNUNG! Öffnen oder zerlegen Sie den Wechselrichter nicht. Wenn Sie versuchen, das Gerät selbst zu warten, besteht die Gefahr eines elektrischen Schlags oder Brands. Bitte beachten Sie bei Arbeiten am Gerät die Sicherheitshinweise.

Wenn das Gerät überhaupt nicht funktioniert, ist möglicherweise eine interne Sicherung durchgebrannt. Dies geschieht immer aus einem bestimmten Grund. Vielleicht hat es einen Kurzschluss gegeben, als der Wechselrichter mit falscher Polarität angeschlossen wurde. Versuchen Sie nicht, interne Sicherungen selbst zu ersetzen. Der Wechselrichter muss vom Hersteller oder von einem autorisierten Service überprüft werden.

FEHLERSUCHE

Problemstellung	Mögliche Ursache	Lösungen
<p>Der Hauptschalter ist eingeschaltet, aber es gibt keinen 230V AC-Ausgang oder eine LED-Anzeige leuchtet.</p>	<p>Es liegt keine Spannung am DC-Eingang an.</p>	<ul style="list-style-type: none"> • Prüfen Sie, ob die Batteriesicherung nicht durchgebrannt und in Ordnung ist. • Prüfen Sie, ob alle DC-Eingangsverbindungen fest sitzen. • Prüfen Sie die Kontinuität des DC Eingangsstromkreises. • Wenn Sie eine Lithiumbatterie verwenden, prüfen Sie, ob diese in den Schutz-Sicherheitsmodus gegangen ist. Wenn ja, befolgen Sie bitte die Anweisungen des Batterieherstellers zum Zurücksetzen der Batterie.
	<p>Die Polarität des DC-Eingangs wurde vertauscht und die internen Sicherungen sind durchgebrannt. (HINWEIS: Dies kann zu einer dauerhaften Beschädigung des Wechselrichters führen, wodurch die Garantie erlischt).</p>	<p>Der Wechselrichter muss zur weiteren Beurteilung an Pro-User Electronics zurückgeschickt werden.</p>
<p>Der Wechselrichter gibt einen Signalton ab, die Netz-LED leuchtet grün. Aber das angeschlossene AC-Gerät schaltet sich nicht ein.</p>	<ul style="list-style-type: none"> • Lose AC-Ausgangsverbindungen. • Kurzschluss in der AC-Ausgangsverdrahtung. • Das AC-Gerät ist defekt. • Das AC-Gerät ist ausgeschaltet. 	<ul style="list-style-type: none"> • Vergewissern Sie sich, dass alle AC-Ausgangsverbindungen fest sitzen und nicht locker sind (wenden Sie sich an einen zugelassenen Elektriker). • Prüfen Sie Ihre AC-Verkabelung auf Kurzschlüsse. • Testen Sie das Gerät an einer 230-Volt-Wechselstromsteckdose. • Wenn immer noch kein Ausgang vorhanden ist, wenden Sie sich an Pro-User Electronics.

FEHLERSUCHE

Problemstellung	Mögliche Ursache	Lösungen
<p>Der Wechselrichter gibt zwei Signaltöne ab.</p>	<p>Warnung vor niedriger DC-Eingangsspannung. Die Spannung am DC-Eingang liegt unter $10.5 \pm 0,5V$ DC.</p>	<ul style="list-style-type: none"> ● Prüfen Sie, ob die Batterie nicht entladen und voll geladen ist, und laden Sie sie bei niedrigem Ladezustand wieder auf. ● Prüfen Sie, ob die Batteriekabel dick genug sind, um die erforderliche Stromstärke über die erforderliche Länge zu übertragen. Verwenden Sie bei Bedarf dickere Kabel. ● Überprüfen Sie den Gleichstrom-Eingangsstromkreis auf lose Verbindungen.
<p>Der Wechselrichter gibt drei Signaltöne ab, die rote Fehleranzeige-LED leuchtet auf und es gibt keinen AC-Ausgang.</p>	<p>Warnung vor niedriger DC-Eingangsspannung. Die Spannung am DC-Eingang liegt unter $10 \pm 0,5 V$ DC.</p>	<ul style="list-style-type: none"> ● Prüfen Sie, ob die Batterie nicht entladen und voll geladen ist, und laden Sie sie bei niedrigem Ladezustand wieder auf. ● Prüfen Sie, ob die Batteriekabel dick genug sind, um die erforderliche Stromstärke über die erforderliche Länge zu übertragen. Verwenden Sie bei Bedarf dickere Kabel. ● Überprüfen Sie den Gleichstrom-Eingangsstromkreis auf lose Verbindungen.
<p>Der Wechselrichter gibt vier Signaltöne ab, die rote Fehleranzeige-LED leuchtet auf und es wird kein AC-Ausgang ausgegeben.</p>	<p>Überspannung am DC-Eingang erkannt. Wenn die Spannung am DC-Eingang höher als $16 \pm 0,5V$ DC ist, wird der AC-Ausgang abgeschaltet.</p>	<ul style="list-style-type: none"> ● Überspannung am DC-Eingang erkannt. Wenn die Spannung am DC-Eingang höher als $16 +0,5V$ DC ist, wird der AC-Ausgang abgeschaltet. ● Stellen Sie sicher, dass die maximale Ladespannung der an die Batterie angeschlossenen Ladegeräte (z. B. Solarregler) unter $16,0 V$ DC liegt.

FEHLERSUCHE

Problemstellung	Mögliche Ursache	Lösungen
Der Wechselrichter gibt fünfmal einen Signalton ab, die rote Fehleranzeige-LED leuchtet auf und es gibt keinen AC-Ausgang.	Der Wechselrichter ist überhitzt. Wenn die Innentemperatur 75°C überschreitet, wird der AC-Ausgang abgeschaltet.	<ul style="list-style-type: none">• Schalten Sie den Wechselrichter aus und wieder ein und überprüfen Sie, ob die Ventilatoren funktionieren (die Ventilatoren schalten sich automatisch ein, wenn der Wechselrichter zu 20 % ausgelastet ist oder die Innentemperaturen bei 45 °C liegen). Wenn die Ventilatoren nicht funktionieren, muss der Wechselrichter weiter untersucht werden; wenden Sie sich bitte an Pro-User Electronics.• Wenn die Ventilatoren funktionieren, prüfen Sie, ob alle Ventilations-schlitze und Ventilatoröffnungen nicht blockiert sind. Stellen Sie außerdem sicher, dass dem Wechselrichter kühle Luft zugeführt wird und dass die Umgebungstemperatur 45°C nicht übersteigt.
Der Wechselrichter gibt einen Signalton elfmal, die rote Fehleranzeige-LED leuchtet und der Wechselrichter schaltet sich ab.	Der Wechselrichter hat einen Kurzschluss am AC Ausgang festgestellt.	Bitte prüfen Sie, ob das angeschlossene Gerät nicht defekt ist, und prüfen Sie, ob es im AC Stromkreis keine Kurzschlüsse gibt.
Der Wechselrichter gibt einen Signalton ab dauernd, die rote Fehleranzeige-LED leuchtet auf und es gibt keinen AC-Ausgang.	Der Wechselrichter hat sich aufgrund von Überlast abgeschaltet. Die angeschlossene Last hat die Überlast Nennleistung des Wechselrichters überschritten.	<ul style="list-style-type: none">• Trennen Sie den angeschlossenen Verbraucher.• Reduzieren Sie die Anschlussleistung.

TECHNISCHE DATEN

Model	PSI300	PSI400	PSI600	PSI1000TX
Batterie Spannung	10.5V – 16V	10.5V – 16V	10.5V – 16V	10.5V – 16V
Standby-Strom	≤0.25A	≤0.35A	≤0.46A	≤0.56A
Empfohlene Batteriekapazität	SLA/Gel/AGM: ≥40Ah	SLA/Gel/AGM: ≥50Ah	SLA/Gel/AGM: ≥100Ah	SLA/Gel/AGM: ≥160Ah
AC-Ausgangsspannung	230V	230V	230V	230V
Frequenz	50Hz	50Hz	50Hz	50Hz
Transferswitch (by-pass)	Nein	Nein	Nein	Ja
Nennausgangsleistung	300W	400W	600W	1000W
Spitzenleistung	450W (10s)	600W (10s)	900W (10s)	1500W (10s)
Höchstleistung	600W (2s)	800W (2s)	1200W (2s)	2000W (2s)
Wirkungsgrad	≥90%	≥90%	≥90%	≥90%
USB Ausgang	5V / 2.1A	5V / 2.1A	5V / 2.1A	5V / 2.1A
Abmessungen LxBxH	165x150x75mm (Gehäuse) 215x150x75mm (inkl. Klemmen)	185x150x75mm (Gehäuse) 235x150x75mm (inkl. Klemmen)	215x150x75mm (Gehäuse) 265x150x75mm (inkl. Klemmen)	355x150x75mm (Gehäuse) 405x150x75mm (inkl. Klemmen)
Gewicht	1.4kg	1.6kg	1.9kg	2.8kg
Betriebstemperatur	-15°C – 40°C	-15°C – 40°C	-15°C – 40°C	-15°C – 40°C
Lagertemperatur	-40°C – 85°C	-40°C – 85°C	-40°C – 85°C	-40°C – 85°C
Kühlung	Luftgekühlt	Luftgekühlt	Luftgekühlt	Luftgekühlt
Fernbedienung mit Verdrahtung	Optional	Optional	Eingeschlossen	Eingeschlossen
Verkabelung der Batterie	4mm ² (80cm)	4mm ² (80cm)	6mm ² (80cm)	10mm ² (80cm)

TECHNISCHE DATEN

Model	PSI1500TX	PSI2000TX	PSI3000TX	PSI3000TX Hybrid
Batterie Spannung	10.5V – 16V	10.5V – 16V	10.5V – 16V	10.5V – 16V
Standby-Strom	≤0.65A	≤0.7A	≤1.2A	≤1.2A
Empfohlene Batteriekapazität	SLA/Gel/AGM: ≥250Ah	SLA/Gel/AGM: ≥320Ah	SLA/Gel/AGM: ≥ 480Ah	SLA/Gel/AGM: ≥480Ah
AC-Ausgangsspannung	230V	230V	230V	230V
Frequency	50Hz	50Hz	50Hz	50Hz
Transferswitch (by-pass)	Ja	Ja	Ja	Ja
Nennausgangsleistung	1500W	2000W	3000W	3000W
Spitzenleistung	2250W (10s)	3000W (10s)	4500W (10s)	4500W (10s)
Höchstleistung	3000W (2s)	4000W (2s)	6000W (2s)	6000W (2s)
Wirkungsgrad	≥90%	≥90%	≥90%	≥90%
USB Ausgang	5V / 2.1A	5V / 2.1A	5V / 2.1A	5V / 2.1A
Abmessungen LxBxH	320x220x90mm (Gehäuse) 380x220x85mm (inkl. Klemmen)	385x220x85mm (Gehäuse) 440x220x85mm (inkl. Klemmen)	415x220x150mm (Gehäuse) 510x220x150mm (inkl. Klemmen)	415x220x150mm (Gehäuse) 515x220x150mm (inkl. Klemmen)
Gewicht	4.1kg	5.0kg	7.6kg	8.6kg
Betriebstemperatur	-15°C – 40°C	-15°C – 40°C	-15°C – 40°C	-15°C – 40°C
Lagertemperatur	-40°C – 85°C	-40°C – 85°C	-40°C – 85°C	-40°C – 85°C
Kühlung	Luftgekühlt	Luftgekühlt	Luftgekühlt	Luftgekühlt
Fernbedienung mit Verdrahtung	Eingeschlossen	Eingeschlossen	Eingeschlossen	Eingeschlossen
Verkabelung der Batterie	16mm ² (80cm)	25mm ² (80cm)	35mm ² (80cm)	35mm ² (80cm)
Solaranschluss MC4	Nein	Nein	Nein	Ja
MPPT-Ladegerät 20A	Nein	Nein	Nein	Ja
Batterieladegerät 20A	Nein	Nein	Nein	Ja

WARTUNG

Vergewissern Sie sich, dass der Wechselrichter bei allen Wartungsarbeiten ausgeschaltet ist. Für den ordnungsgemäßen Betrieb Ihres Wechselrichters ist nur sehr wenig Wartung erforderlich. Sie sollten das Äußere regelmäßig mit einem trockenen Tuch reinigen, um die Ansammlung von Staub und Schmutz zu verhindern. Überprüfen Sie auch die Befestigungen an den DC-Eingangsklemmen und ziehen Sie sie fest.

GARANTIE

Pro-User Electronics gewährt dem Erstkäufer für dieses Produkt eine Garantie von 2 Jahren ab dem Kaufdatum. Die Garantie ist nicht übertragbar. Die Garantie deckt nur Verarbeitungs- und Materialfehler ab. Um Garantieleistungen in Anspruch zu nehmen, senden Sie das Gerät bitte zusammen mit dem Kaufbeleg an den Ort des Kaufs oder an einen autorisierten Pro-User Electronics-Händler zurück. Die Garantie erlischt, wenn das Produkt beschädigt oder nicht wie in diesem Handbuch beschrieben verwendet wurde. Die Garantie ist nichtig, wenn eine nicht autorisierte Reparatur durchgeführt wurde. Pro-User Electronics übernimmt keine weiteren ausdrücklichen oder stillschweigenden Garantien. Pro-User Electronics ist nur für die Reparatur oder den Ersatz des defekten Produkts verantwortlich und haftet nicht für Folgeschäden oder Unannehmlichkeiten, die durch den Defekt verursacht werden.

Kontaktinformationen:

Tradekar Benelux BV
Ohmweg 1
4104 BM Culemborg
Niederlande
+31(0)345470990
Info@tradekar.com

Pro-User Electronics ist Teil des Tradekar House of Leisure Brands

WWW.PRO-USER.COM



Lees deze handleiding voordat u dit product gebruikt.
Doet u dit niet, dan kan dit leiden tot ernstig letsel.

INHOUDSOPGAVE

Inleiding	P.43
Belangrijke veiligheidsinstructies	P.43
Algemene instructies	P.46
Inhoud van de verpakking	P.46
Technische omschrijving	P.47
Afstandsbediening	P.50
Dipswitch instellingen (alleen hybride)	P.51
ECO/UPS functie	P.51
Installatie en bediening	P.52
Bedradingsschema	P.53
Problemen oplossen	P.55
Technische specificaties	P.59
Onderhoud	P.61
Garantie	P.61

INLEIDING

De zuivere sinusomvormers zijn lid van de familie van geavanceerde mobiele stroomomvormers vervaardigd door Pro-User Electronics. Uw Pro-User Electronics zuivere sinusomvormer stelt u in staat om een zuivere sinusgolf 230V AC 50Hz spanning te genereren uit een 12V DC accu, waar u ook naartoe reist. Als bonus hebben we 1 USB-poort ingebouwd voor het voeden of opladen van bijvoorbeeld uw navigatiesysteem, mobiele telefoon, tablet of elk ander USB-apparaat. Door de hoogwaardige zuivere sinusspanning en de uitstekende overbelastingsmogelijkheden werkt zelfs met gevoelige elektronica feilloos.

Met de bedrade afstandsbediening kunt u uw omvormer gemakkelijk controleren en bedienen.

Wij hebben talrijke maatregelen genomen voor kwaliteitscontrole om ervoor te zorgen dat uw product in topconditie aankomt en naar uw tevredenheid zal presteren.

Lees en volg de veiligheids- en bedieningsinstructies zorgvuldig. Het niet opvolgen van deze instructies kan leiden tot een ernstig ongeluk, inclusief materiële schade, ernstig of zelfs dodelijk letsel. Als het apparaat aan een ander persoon wordt doorgegeven, moet ook deze handleiding worden meegegeven.

BELANGRIJKE VEILIGHEIDSLINSTRUCTIES



LET OP: Lees deze handleiding zorgvuldig door voordat u het apparaat installeert en in gebruik neemt. Gebruik de omvormer alleen als u alle verstrekte informatie volledig hebt gelezen en begrepen. Als u niet zeker bent van het werken met 12V gelijkspanning of niet zeker weet wat u doet, overweeg dan hulp te zoeken bij een professionele installatiedienst of de fabrikant van uw voertuig. Het niet naleven van deze instructies kan leiden tot een elektrische schok, dodelijk of ernstig letsel, materiële schade of een verminderde werking van de omvormer.

Pro-User Electronics aanvaardt geen aansprakelijkheid voor directe of indirecte schade veroorzaakt door foutieve montage of aansluiting, een gebruik van beschadigde of gewijzigde producten, een gebruik voor andere doeleinden dan aangegeven en vooral veroorzaakt door het niet opvolgen van deze instructies.

Algemeen:

- Elektrische apparaten zijn geen speelgoed. Houd het product uit de buurt van kinderen.
- Gebruik het product alleen zoals bedoeld en voor de in de handleiding beschreven doeleinden.
- Onderzoek na het openen van de verpakking alle onderdelen op zichtbare schade. Als u schade hebt gevonden, neem dan contact op met het bedrijf waar u dit product hebt gekocht.
- Ontkoppel altijd de stroomvoorziening (inclusief de aansluiting op de accu en een optioneel zonnepaneel) wanneer u aan het apparaat werkt.

- Gebruik alleen goedgekeurde accessoires (met name alle kabels) of onderdelen die volledig aan de eisen voldoen. De installateur is verantwoordelijk voor het gebruik van de juiste kabel- en zekeringmaten.
- De oppervlaktetemperatuur kan oplopen tot 65°C. Schakel het apparaat onmiddellijk uit en stop met het gebruik ervan als het apparaat rookt of abnormaal gedrag vertoont.
- Dit apparaat is niet bestemd voor gebruik door personen (inclusief kinderen) met beperkte fysieke, zintuiglijke of geestelijke vermogens of met een gebrek aan ervaring en kennis, tenzij zij onder toezicht staan of instructies hebben gekregen over het gebruik van het apparaat van een persoon die verantwoordelijk is voor hun veiligheid. Kinderen moeten onder toezicht staan om ervoor te zorgen dat zij niet met het apparaat spelen.
- Installatie, onderhoud en reparatie van het apparaat mogen alleen worden uitgevoerd door gekwalificeerd personeel dat bekend is met de risico's, de desbetreffende voorschriften en de toe te passen richtlijnen en veiligheidsmaatregelen.
- Haal de omvormer niet uit elkaar, het interne circuit bevat gevaarlijke spanningen. Pogingen om het apparaat zelf te repareren kunnen leiden tot elektrische schokken of brand en maken de garantie van het apparaat ongeldig.
- Houd metalen voorwerpen of andere materialen die kortsluiting kunnen veroorzaken op de polen van de accu of de omvormer altijd uit de buurt. Een resulterende vonk of kortsluiting kan niet alleen het apparaat beschadigen, maar ook een explosie veroorzaken en mogelijk een stroomsterkte produceren die hoog genoeg is om een ring of iets dergelijks aan metaal te lassen. Verwijder persoonlijke metalen voorwerpen zoals ringen, armbanden, kettingen en horloges wanneer u aan het apparaat of de batterij werkt.
- Gebruik de omvormer alleen als alle kabels en de behuizing onbeschadigd zijn en alle aansluitingen vastzitten en schoon zijn. Losse of vuile aansluitingen kunnen leiden tot oververhitting, elektrische vonken en brand.
- Sluit de AC-uitgangsklemmen van de omvormer niet aan op een inkomende AC-bron (of het elektriciteitsnet).
- Sluit de DC ingangsklemmen van de omvormer niet aan op een inkomende AC-bron.
- Gebruik de omvormer nooit op voertuigen waarbij de positieve pool van de accu op het chassis is aangesloten.
- Sluit nooit kabels in omgekeerde polariteit aan of sluit aangesloten kabels kort. Hierdoor kunnen interne zekeringen doorbranden en kan de omvormer permanent beschadigd raken.
- Een zekering moet op een afstand van max. 30 cm van de pluspool van de accu. Gebeurt dit niet, dan kan bij een storing (bijv. overstroom of kortsluiting) schade aan de bekabeling of de accu ontstaan. Gebruik alleen koperen kabel van hoge kwaliteit en houd de lengte van de kabel kort.
- Gebruik geen apparaten die de wisselstroom terugvoeren naar de omvormer. Dit kan de omvormer beschadigen.
- Zorg ervoor dat het apparaat stevig staat. Het apparaat moet zo worden opgesteld en bevestigd dat het niet kan omvallen of vallen.
- Sluit nooit apparaten aan die een hoger vermogen vereisen dan het piekvermogen van de omvormer. Houd er rekening mee dat sommige apparaten meer startstroom nodig hebben dan het typeplaatje van het apparaat aangeeft.

Werken met batterijen

- Batterijen kunnen grote hoeveelheden energie opslaan en een onjuiste behandeling kan gevaarlijk zijn. Sluit nooit een batterij aan met een ongeschikte spanning of andere ongeschikte of beschadigde batterijen.
- Houd kinderen uit de buurt van batterijen en zuur.

- Voorkom dat u elektrolyt op uw huid of kleren krijgt. Het is zuur en kan brandwonden veroorzaken. Als accuzuur in contact komt met huid of kleding, onmiddellijk wassen met water. Zuiveringszout neutraliseert de elektrolyt van loodzure batterijen. Als er elektrolyt in uw ogen komt, moet u uw ogen onmiddellijk gedurende minstens 20 minuten met stromend koud water spoelen en onmiddellijk medische hulp inroepen. Oogbescherming wordt daarom aanbevolen.
- Houd metalen voorwerpen of andere materialen die kortsluiting kunnen veroorzaken op de polen van de accu of de omvormer altijd goed uit de buurt.
- Schakel het apparaat uit voordat u de verbindingen met de batterij tot stand brengt of verbreekt.
- Neem de technische instructies van de verkoper of de fabrikant van uw batterij in acht.
- Controleer of alle aansluitingen vastzitten en schoon zijn. Losse of vuile aansluitingen kunnen leiden tot oververhitting, elektrische vonken en brand. Gebruik waar nodig klemmenvet.
- Rook nooit en laat geen vonken of vlammen in de buurt van de batterij komen.
- Probeer nooit een beschadigde of bevroren batterij op te laden.
- Lees de handleiding van uw auto. Sommige voertuigfabrikanten kunnen speciale voorschriften hebben voor het opladen of ontladen van de accu van het voertuig (bijv. zekeringen die moeten worden verwijderd of bepaalde veiligheidseisen).

Omgeving

- Gebruik het product alleen in omgevingen van 0°C ~ 45°C.
- Gebruik het product niet in een vochtige, natte of stoffige omgeving: Stel de omvormer nooit bloot aan regen of sneeuw. Dit kan leiden tot schade aan de omvormer of andere in het systeem geïnstalleerde apparatuur of tot elektrische schokken of brand. Gebruik het apparaat niet in een explosieve omgeving, zoals in de aanwezigheid van brandbare vloeistoffen, gassen of stof. Plaats geen batterijen of andere zaken die tegen vonken beschermd moeten worden rond de omvormer. Dit kan leiden tot brand of explosie.
- Dek het apparaat niet af om warmteontwikkeling te voorkomen. Voorkom oververhitting en zorg dat luchtinlaten en ventilatie niet worden geblokkeerd. Stel het apparaat niet bloot aan een warmtebron (zoals direct zonlicht of verwarming). Vermijd op deze manier extra opwarming van het apparaat.

Elektrische kabels

- Als kabels door metalen gaten of andere wanden met scherpe randen moeten worden geleid, gebruik dan goten of kabeldoorvoeren om schade te voorkomen.
- Leg geen losse of gebogen kabels naast elektrisch geleidend materiaal (metaal).
- Trek niet aan de kabels.
- Vermijd om 230 V AC netkabel en 12 V DC kabels in hetzelfde kanaal te leggen.
- Voorkom dat op alle kabels wordt getrapt, dat erover wordt gestruikeld of dat ze worden beschadigd door bijvoorbeeld scherpe randen of hete oppervlakken.

ALGEMENE INSTRUCTIES

Bedoeld gebruik

De Pro-User Electronics zuivere sinusomvormer zet een 12V gelijkspanning (bijv. een accu of een andere 12V bron die de benodigde stroom kan leveren) om in 200-240V 50Hz AC zuivere sinusspanning. De ingebouwde USB-poort is bedoeld voor het voeden of opladen van 5V USB-apparaten (er moet rekening worden gehouden met de maximale stroomafgifte). Met de bedrade afstandsbediening kan de gebruiker de omvormer op een handige manier controleren en bedienen.

Verpakkingsmateriaal

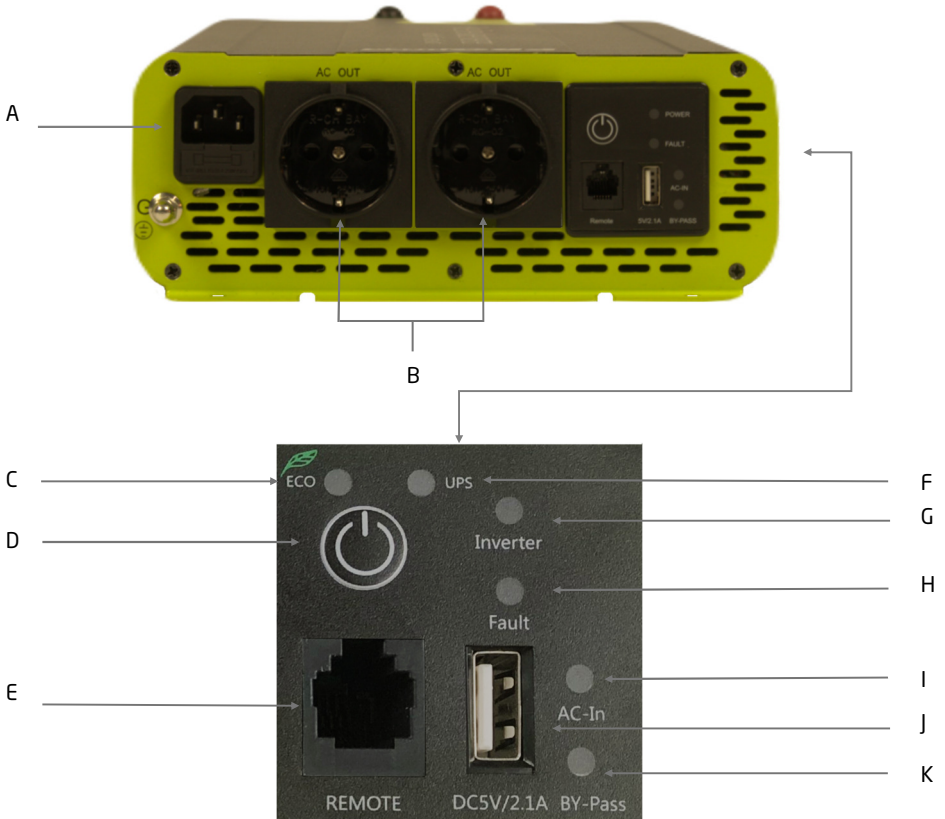
Laat kinderen niet met folie of ander verpakkingsmateriaal spelen om verstikkingsgevaar te voorkomen. Verwijder alle beschermende omhulsels voordat u het apparaat in gebruik neemt.

Opslag

Bewaar de omvormer in een droge omgeving wanneer deze niet wordt gebruikt. Bewaar het apparaat op een veilige plaats buiten het bereik van kinderen. Bescherm het apparaat tegen direct zonlicht, hitte en vocht.

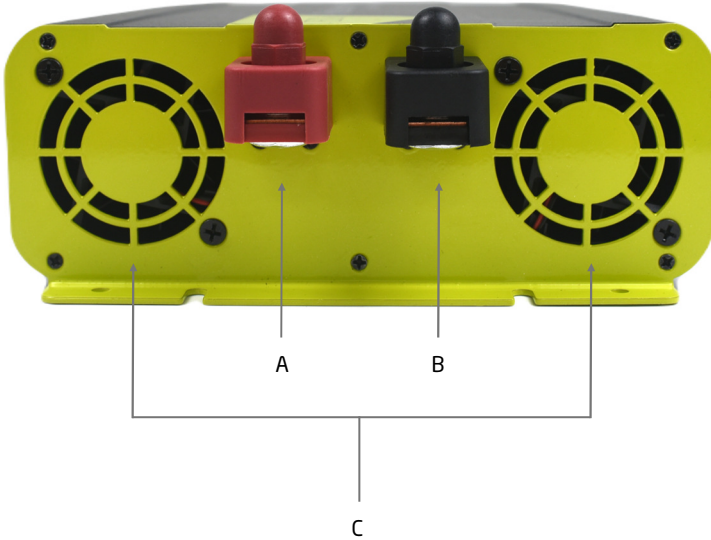
INHOUD VAN DE VERPAKKING

- 1x Pro-User Electronics pure sine wave inverter
- 1x Afstandsbediening (600/1000/1500/2000/3000W)
- 1x Bedrading voor afstandsbediening (600/1000/1500/2000/3000W)
- 1x Opbouwframe voor afstandsbediening (600/1000/1500/2000/3000W)
- 1x Batterij bedrading set
- 1x 230V aansluitkabel (1000/1500/2000W)
- 1x Gebruiksaanwijzing

TECHNISCHE OMSCHRIJVING

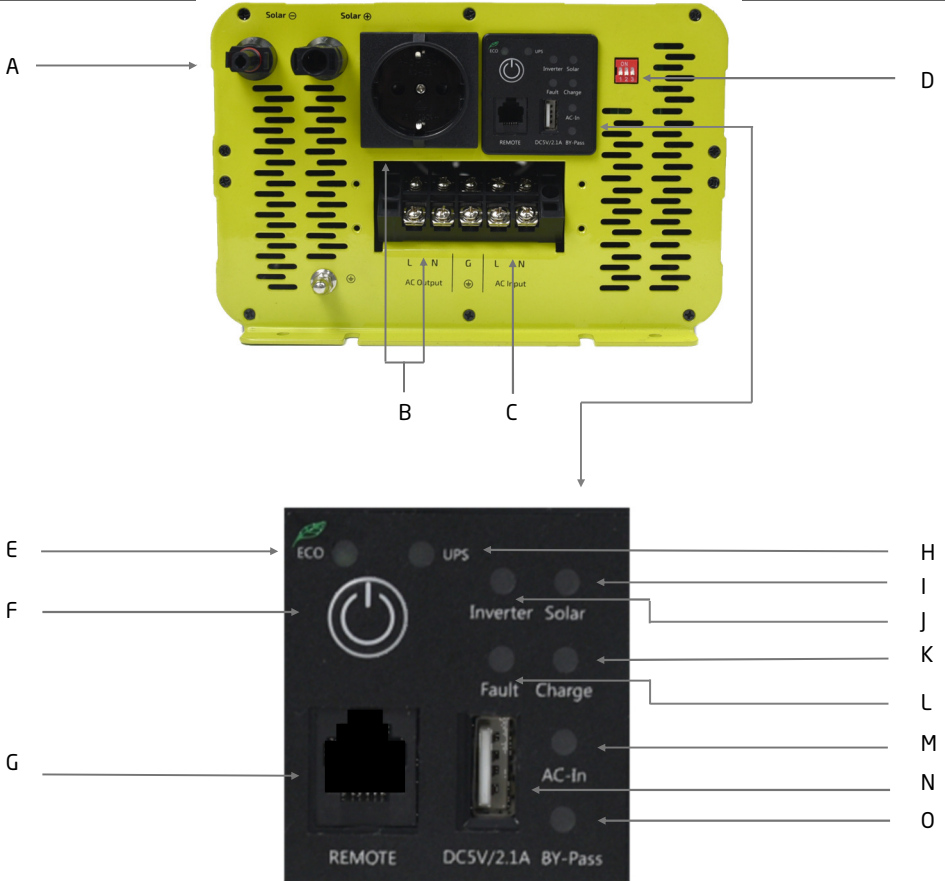
- A) Binnenkomende 230V AC aansluiting (1000W / 1500W / 2000W)
- B) Uitgaand 230V AC stopcontact
- C) ECO mode indicatie led (1000W / 1500W / 2000W / 3000W)
- D) Aan/uit schakelaar
- E) Aansluiting voor bekabeling afstandsbediening
- F) UPS indicatie led (1000W / 1500W / 2000W / 3000W)
- G) Inverter functie indicatie led
- H) Storing indicatie led
- I) 230V AC binnenkomend indicatie led
- J) USB stopcontact
- K) BY-Pass indicatie led

TECHNISCHE OMSCHRIJVING



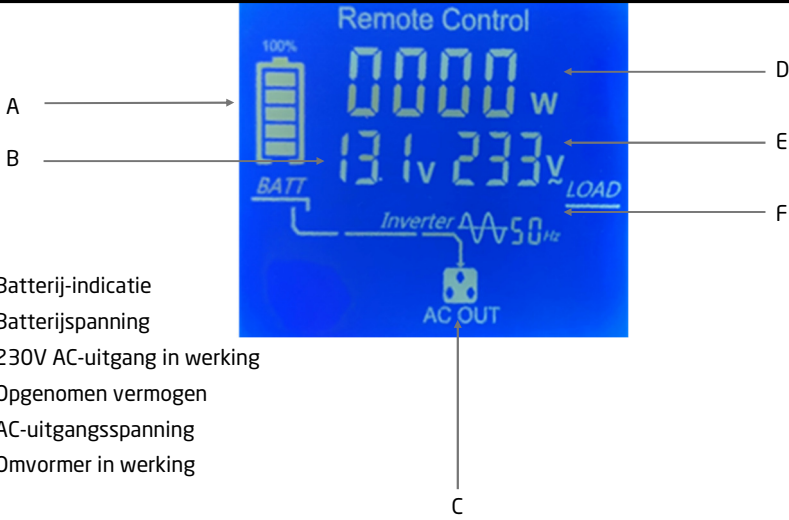
- A) Positieve batterij aansluiting (rood / +)
- B) Negatieve batterij aansluiting (zwart / -)
- C) Ventilatieopeningen

TECHNISCHE OMSCHRIJVING 3000W & HYBRID PSI-SERIES

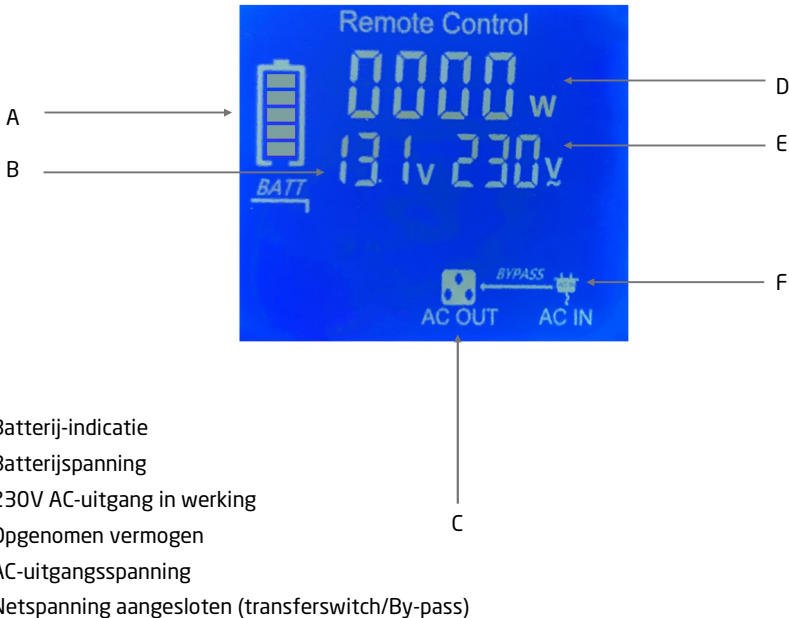


- A) Zonnepaneel aansluiting (MC4 , alleen Hybrid)
- B) Uitgaande 230V AC aansluitingen
- C) Binnenkomede 230V AC aansluiting
- D) Batterij instellingen dipswitches (alleen Hybrid)
- E) ECO mode indicatie led
- F) Aan/uit schakelaar
- G) Aansluiting voor bekabeling afstandsbediening
- H) UPS indicatie led
- I) Indicatie zonnepaneel-oplaadfunctie led (alleen Hybrid)
- J) Inverter functie indicatie led
- K) 230V AC laadfunctie indicatie led (alleen Hybrid)
- L) Storing indicatie led
- M) 230V AC binnenkomend indicatie led
- N) USB stpcontact
- O) BY-Pass indicatie led

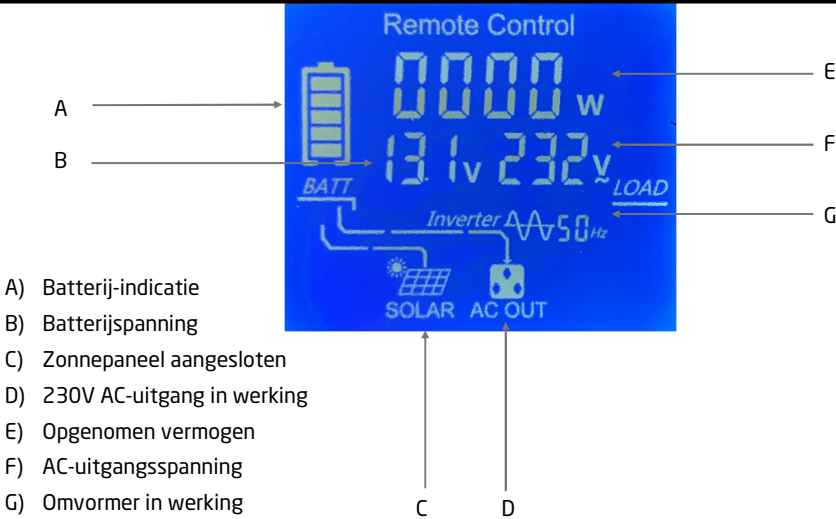
DISPLAY AFSTANDBEDIENING INVERTER MODE



DISPLAY AFSTANDBEDIENING TRANSFERSWITCH MODE (1000/1500/2000/3000W)



DISPLAY AFSTANDSBEDIENING MPPT/ZONNE-ENERGIE MODE (ALLEEN HYBRID)



DIPSWITCH INSTELLINGEN (ALLEEN HYBRID)

De batterijladerfunctie wordt ingesteld met behulp van de dipswitches aan de zijkant van de omvormer. Het onderstaande schema laat zien hoe deze moeten worden ingesteld. Neem bij twijfel over welke instelling u nodig heeft contact op met uw batterijleverancier.

Setting	Dip switch	Bulk / Absorption	Float	Battery Type
L	<input type="checkbox"/> <input type="checkbox"/> <input type="checkbox"/> SW0	14.6V		LiFePO4
S	<input type="checkbox"/> <input type="checkbox"/> <input type="checkbox"/> SW1	14.8V	13.8V	Flooded
	<input type="checkbox"/> <input type="checkbox"/> <input type="checkbox"/> SW2	15.0V	13.8V	Calcium
	<input type="checkbox"/> <input type="checkbox"/> <input type="checkbox"/> SW3	14.6V	13.6V	AGM
	<input type="checkbox"/> <input type="checkbox"/> <input type="checkbox"/> SW4	14.4V	13.4V	SLA
	<input type="checkbox"/> <input type="checkbox"/> <input type="checkbox"/> SW5	14.2V	13.2V	GEL
Power Supply Mode, Constant Voltage Setting				
	<input type="checkbox"/> <input type="checkbox"/> <input type="checkbox"/> SW6	13.8V		
	<input type="checkbox"/> <input type="checkbox"/> <input type="checkbox"/> SW7	12.0V		

ECO/UPS FUNCTIE (1000/1500/2000/3000w)

De omvormer is uitgerust met ECO (energiebesparing) en UPS instelling. In de ECO-stand wordt de voorkeur gegeven aan verbruik uit de batterij. Er wordt dan geen externe inkomende spanning toegepast zolang er voldoende capaciteit uit de batterij is. Kiest u voor de UPS-modus (standaardinstelling) dan heeft externe inkomende 230V wisselspanning de voorkeur (bypass). In de UPS-modus wordt de batterij geselecteerd als er geen externe inkomende spanning beschikbaar is. Om over te schakelen van UPS naar ECO of omgekeerd, houdt u de aan/uit-knop 2 seconden ingedrukt.

INSTALLATIE EN BEDIENING



WAARSCHUWING: Lees deze handleiding zorgvuldig door voordat u het apparaat installeert en in gebruik neemt. Gebruik de omvormer alleen als u alle verstrekte informatie volledig hebt gelezen en begrepen. Als u niet zeker bent van het werken met 12V gelijkspanning of niet zeker weet wat u doet, overweeg dan hulp te zoeken bij een professionele installatiedienst of de fabrikant van uw voertuig. Het niet naleven van deze instructies kan leiden tot een elektrische schok, dodelijk of ernstig letsel, materiële schade of aantasting van de werking van de omvormer.



WAARSCHUWING: Voordat u de omvormer installeert, moet u ervoor zorgen dat de hoofdschakelaar in stand "OFF" staat. Zorg ervoor dat de accupolen schoon zijn bij het aansluiten van de klemmen. Draai de bouten en moeren vast met een koppel van 12-13 Nm. Losse of vuile aansluitingen kunnen oververhitting veroorzaken.



Gevaar voor elektrische schokken: Het gebruik van de omvormer zonder correcte aarding kan leiden tot een elektrisch veiligheidsrisico. Zorg tijdens de installatie voor een correcte aarding. Draai de polariteit niet om. Het omdraaien van de polariteit van de aansluitingen kan een vonk veroorzaken en interne zekeringen doen smelten.



Neem de relevante voorschriften en richtlijnen van uw land in acht! In sommige landen kunnen er wettelijke voorschriften zijn die RCD-bescherming van wissel-

Bevestiging van de omvormer

Neem bij de keuze van de montageplaats de volgende aanwijzingen in acht:

- De omvormer kan horizontaal of verticaal worden gemonteerd.
- Het installatieoppervlak moet vlak en voldoende stevig zijn.
- De omvormer moet worden geïnstalleerd op een plaats die beschermd is tegen vuil, stof en vocht.
- De omvormer mag niet in de buurt van brandbare materialen worden geïnstalleerd.
- De plaats van installatie moet goed geventileerd zijn. Voor installaties in kleine, gesloten ruimten moet een ventilatiesysteem aanwezig zijn.
- De minimale vrije ruimte rond de omvormer moet minstens 25 cm bedragen.
- Blokkeer of bedek de ventilatieopeningen niet. Zorg ervoor dat u afstand houdt (minstens 2,5cm) van omringende voorwerpen.

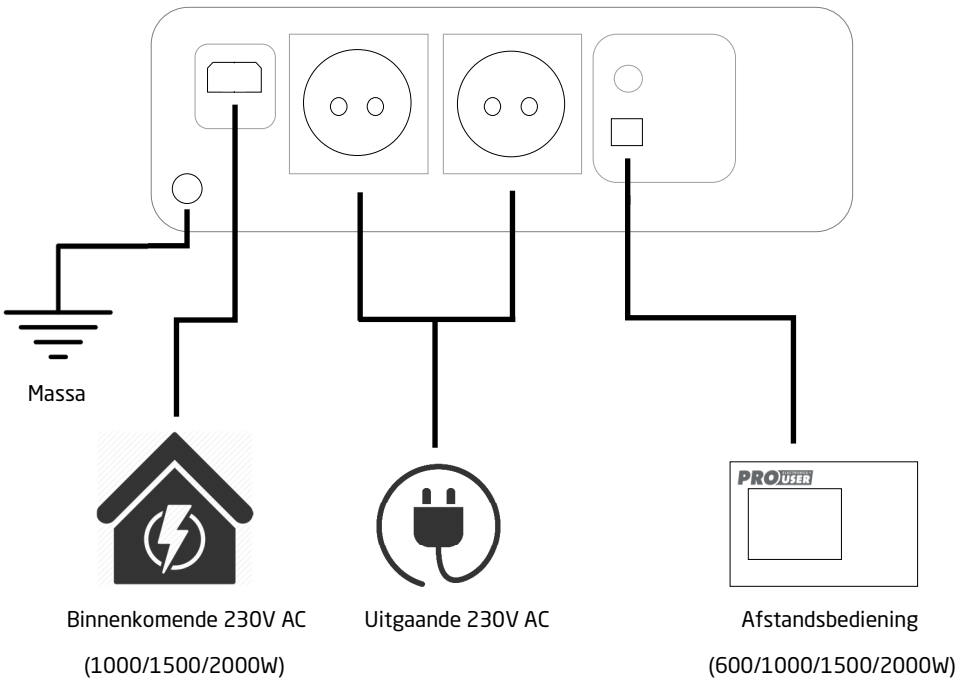
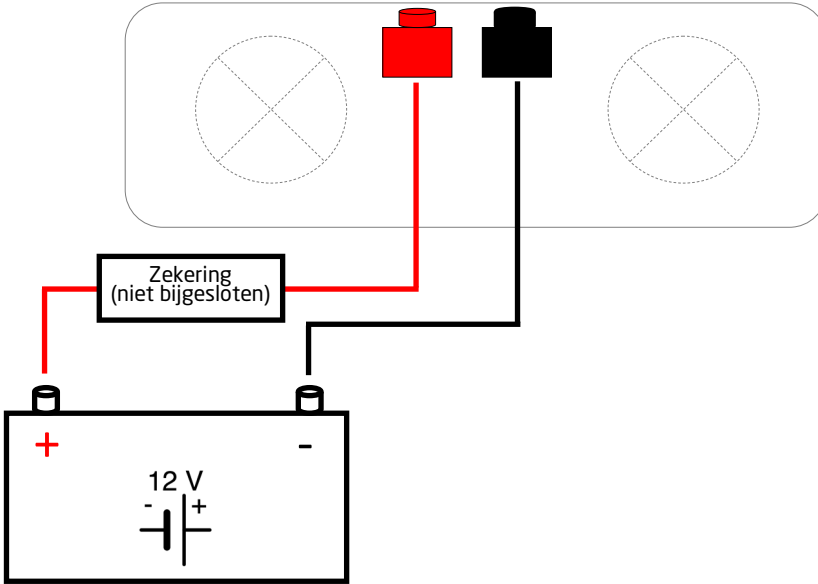
Bedrading & Kabels



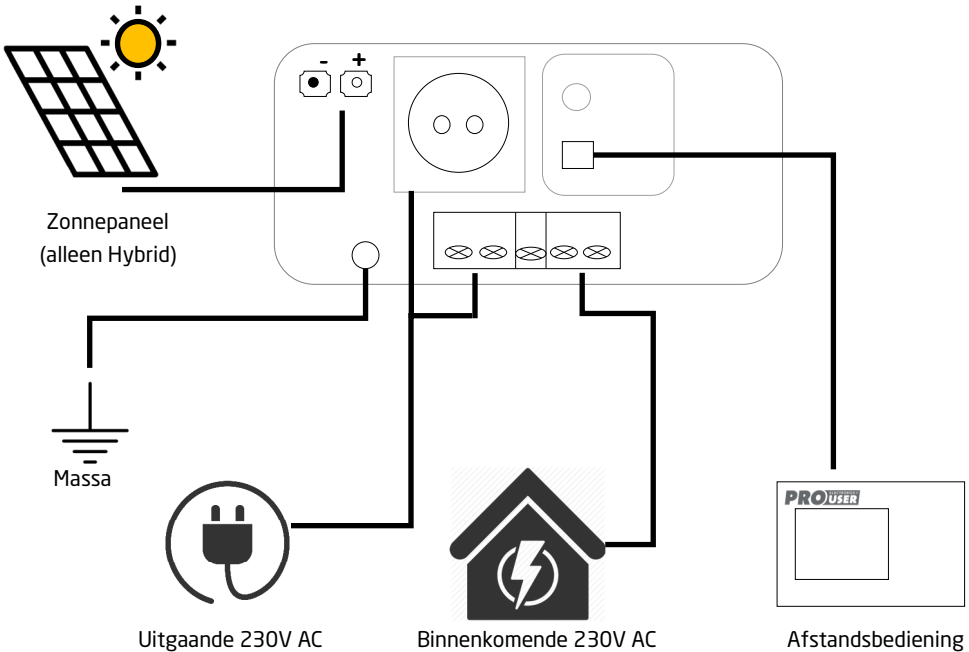
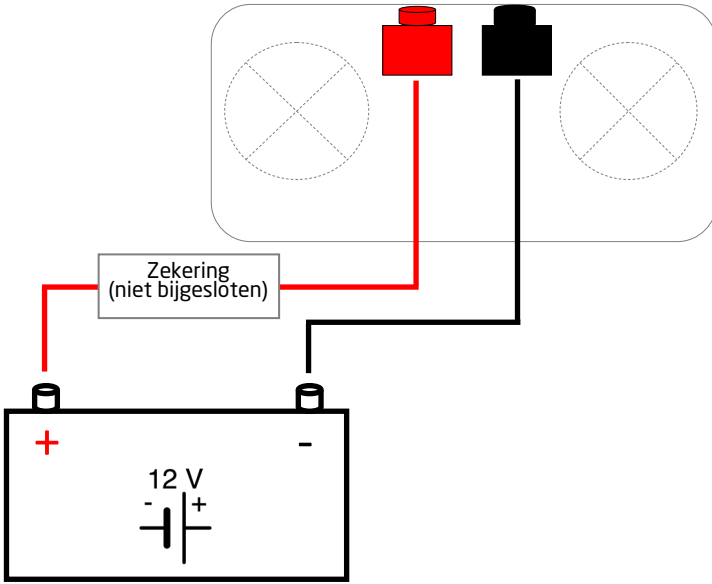
Een zekering moet op een afstand van max. 30 cm van de pluspool van de batterij. Doet u dit niet, dan kan bij een storing (bijv. overstroom of kortsluiting) schade aan de bekabeling of de batterij ontstaan.

Een aansluiting met omgekeerde polariteit kan de interne zekering doen springen en de omvormer permanent beschadigen.

BEDRADINGSSHEMA



BEDRADINGSSCHEMA 3000W & HYBRID PSI-SERIES



De omvormer installeren

Om de omvormer te installeren, gebruikt u de juiste kabels om:

- Verbind de positieve pool (meestal gemarkeerd met + of rood gekleurd) van de batterij en de positieve pool (rood gekleurd) van de omvormer.
- Verbind de negatieve pool (meestal gemarkeerd met - of zwart gekleurd) van de batterij en de negatieve pool (zwart gekleurd) van de omvormer.
- Automatische omschakelfunctie (by-pass alleen 1000/1500/2000/3000W). Sluit de 230V AC inkomende aansluiting aan op de ingangsaansluiting met behulp van de meegeleverde kabel (niet bij 3000W/Hybrid). De by-pass functie zal automatisch in werking treden wanneer een 230V AC externe bron wordt aangesloten (UPS modus). Wanneer de externe bron uitvalt, wordt de omvormerfunctie automatisch ingeschakeld.

Zorg ervoor dat alle kabels goed vastzitten.

De omvormer is nu klaar voor gebruik: Druk op de hoofdschakelaar om het apparaat in te schakelen. Let op de functies van het apparaat zoals beschreven in het hoofdstuk "TECHNISCHE BESCHRIJVING".

OPMERKING: U kunt de omvormer met draaiende of uitgeschakelde motor van uw voertuig gebruiken. Het wordt echter aanbevolen om de omvormer uit te schakelen terwijl u de motor start.

USB-poort

Sluit het externe USB-apparaat aan op de USB-poort en schakel het in. De USB-poort van de omvormer levert een voeding van 5V DC voor externe USB-apparaten.

Aansluiting voor afstandsbediening

Sluit de remote unit aan op de remote aansluiting.

Aansluiting zonnepaneel (MC4 connectoren alleen Hybrid PSI-serie)

Installeer uw zonnepaneel op de MC4 connectoren. Het systeem zelf herkent de aansluiting en de laadfunctie van de MPPT regelaar treedt in werking.

Battery dipswitches settings. Hybrid PSI series only.

Om uw batterijen optimaal te laden is de Hybrid omvormer uitgerust met dipswitches. Zie hoofdstuk dipswitch instellingen voor de juiste instellingen voor uw batterij.

PROBLEMEN OPLOSSEN



WAARSCHUWING! Open of demonteer de omvormer niet. Pogingen om het apparaat zelf te repareren kunnen leiden tot het risico van een elektrische schok of brand. Volg de veiligheidsinstructies wanneer u aan het apparaat werkt.

Als het apparaat helemaal niet werkt, is er misschien een interne zekering doorgebrand. Dit gebeurt altijd met een reden. Misschien is er kortsluiting geweest bij het aansluiten van de omvormer met de verkeerde polariteit. Probeer de interne zekeringen niet zelf te vervangen. De omvormer moet worden gecontroleerd door de fabrikant of door een erkende dealer.

PROBLEMEN OPLOSSEN

Omschrijving	Mogelijke oorzaken	Oplossingen
De hoofdschakelaar staat aan, maar er is geen 230V AC uitgang of er branden LED lampjes.	Er staat geen spanning op de DC-ingang.	<ul style="list-style-type: none"> • Controleer of de zekering van de batterij niet doorgebrand en intact is. • Controleer of alle DC-ingangsaansluitingen goed vastzitten. • Controleer de continuïteit van het DC-ingangscircuit. • Als u een lithiumbatterij gebruikt, controleer dan of deze in de beschermings-/veiligheidsmodus is gegaan. Als dat het geval is, volg dan de instructies van de fabrikant van de batterij over het resetten van de batterij.
	De polariteit van de DC ingang is omgedraaid en de interne zekeringen zijn doorgebrand. (OPMERKING: Dit kan permanente schade aan de omvormer hebben veroorzaakt en alle garantie doen vervallen).	De omvormer moet teruggestuurd worden naar Pro-User Electronics voor verdere beoordeling.
De omvormer geeft één pieptoon, de Power LED indicator is groen. Maar het aangesloten AC-toestel wordt niet ingeschakeld.	<ul style="list-style-type: none"> • Losse AC uitgangsverbindingen. • Kortsluiting in de AC-uitgangsbekleding. • Het aangesloten apparaat is defect. • Het aangesloten apparaat is uitgeschakeld. 	<ul style="list-style-type: none"> • Controleer of alle AC-uitgangsaansluitingen vastzitten en niet los zitten (raadpleeg een erkende elektricien). • Controleer uw AC bekleding op kortsluiting. • Test het apparaat op een 230V stopcontact. • Als er nog steeds geen uitgang is, neem dan contact op met Pro-User Electronics.

PROBLEMEN OPLOSSEN

Omschrijving	Mogelijke oorzaken	Oplossingen
De omvormer geeft twee pieptonen.	Waarschuwing lage DC ingangsspanning. De spanning op de DC-ingang is lager dan $10.5 \pm 0,5V$ DC.	<ul style="list-style-type: none">• Controleer of de batterij niet leeg is en volledig is opgeladen, laad de batterij bij als deze bijna leeg is.• Controleer of de batterijkabels dik genoeg zijn om de vereiste stroom over de vereiste lengte te dragen. Gebruik zo nodig dikkere kabel.• Controleer op losse verbindingen in het DC-ingangscircuit.
De omvormer geeft drie pieptonen, het rode storingslampje gaat branden en er is geen AC-uitgangsspanning.	Waarschuwing lage DC ingangsspanning. De spanning op de DC-ingang is lager dan $10 \pm 0,5V$ DC.	<ul style="list-style-type: none">• Controleer of de batterij niet leeg is en volledig is opgeladen, laad de batterij bij als deze bijna leeg is.• Controleer of de batterijkabels dik genoeg zijn om de vereiste stroom over de vereiste lengte te dragen. Gebruik zo nodig dikkere kabel.• Controleer op losse verbindingen in het DC-ingangscircuit.
De omvormer geeft vier pieptonen, het rode storingslampje gaat branden en er is geen AC-uitgangsspanning.	Overspanning gedetecteerd op de DC-ingang. Wanneer de spanning op de DC-ingang hoger is dan $16 \pm 0,5V$ DC zal de AC-uitgangsspanning worden uitgeschakeld.	<ul style="list-style-type: none">• Controleer of de spanning op de DC-ingangsklemmen niet hoger is dan 16,0V DC, zo ja, probeer de spanning van de batterij te verlagen en controleer de laadspanning van de batterij.• Zorg ervoor dat de maximale laadspanning van eventuele op de accu aangesloten laders (bijv. zonne-energie regelaar) onder 16,0V DC is ingesteld.

PROBLEMEN OPLOSSEN

Omschrijving	Mogelijke oorzaken	Oplossingen
De omvormer geeft vijf pieptonen, het rode storingslampje gaat branden en er is geen AC-uitgangsspanning.	De omvormer raakt oververhit. Wanneer de interne temperatuur hoger wordt dan 75°C wordt de AC-uitgang uitgeschakeld.	<ul style="list-style-type: none">• Reset de omvormer door hem uit en weer aan te zetten en controleer of de koelventilatoren werken (de ventilatoren gaan automatisch aan als de omvormer voor 20% belast wordt of de interne temperaturen 45°C zijn). Als de koelventilatoren niet werken moet de omvormer verder beoordeeld worden, neem dan contact op met Pro-User Electronics.• Als de ventilatoren werken, controleer dan of alle ventilatiesleuven en ventilatoropeningen niet geblokkeerd zijn. Controleer ook of er koele lucht naar de omvormer wordt geleid en of de omgevingstemperatuur niet hoger is dan 45°C.
De omvormer geeft elf pieptonen, de rode storingsindicator-LED gaat branden en de omvormer wordt uitgeschakeld.	De omvormer heeft een kortsluiting gedetecteerd aan de AC-uitgangsspanning.	Controleer of het aangesloten apparaat niet defect is en controleer of er geen kortsluiting is in het AC-circuit.
De omvormer geeft een piepton continu, de rode storingsindicator-LED brandt en er is geen AC-uitgangsspanning.	De omvormer is uitgeschakeld wegens overbelasting. Aangesloten belasting heeft de piekbelasting van de omvormer overschreden.	<ul style="list-style-type: none">• Ontkoppel de aangesloten belasting.• Verlaag de aangesloten belasting.

TECHNISCHE SPECIFICATIES

Model	PSI300	PSI400	PSI600	PSI1000TX
Batterij-spanning	10.5V – 16V	10.5V – 16V	10.5V – 16V	10.5V – 16V
Ruststroom	≤0.25A	≤0.35A	≤0.46A	≤0.56A
Aanbevolen batterij-capaciteit	SLA/Gel/AGM: ≥40Ah	SLA/Gel/AGM: ≥50Ah	SLA/Gel/AGM: ≥100Ah	SLA/Gel/AGM: ≥160Ah
AC uitgangsspanning	230V	230V	230V	230V
Frequentie	50Hz	50Hz	50Hz	50Hz
Transferswitch (by-pass)	Nee	Nee	Nee	Ja
Nominaal uitgangsvermogen	300W	400W	600W	1000W
Verhoogd vermogen	450W (10s)	600W (10s)	900W (10s)	1500W (10s)
Piekvermogen	600W (2s)	800W (2s)	1200W (2s)	2000W (2s)
Efficiëntie	≥90%	≥90%	≥90%	≥90%
USB-Uitgang	5V / 2.1A	5V / 2.1A	5V / 2.1A	5V / 2.1A
Afmetingen LxBxH	165x150x75mm (behuizing) 215x150x75mm (incl. aansluitingen)	185x150x75mm (behuizing) 235x150x75mm (incl. aansluitingen)	215x150x75mm (behuizing) 265x150x75mm (incl. aansluitingen)	355x150x75mm (behuizing) 405x150x75mm (incl. aansluitingen)
Gewicht	1.4kg	1.6kg	1.9kg	2.8kg
Bedrijfstemperatuur	-15°C – 40°C	-15°C – 40°C	-15°C – 40°C	-15°C – 40°C
Opslagtemperatuur	-40°C – 85°C	-40°C – 85°C	-40°C – 85°C	-40°C – 85°C
Koeling	Luchtgekoeld	Luchtgekoeld	Luchtgekoeld	Luchtgekoeld
Afstandsbediening met bedrading	Optioneel	Optioneel	Inclusief	Inclusief
Batterij bekabeling	4mm ² (80cm)	4mm ² (80cm)	6mm ² (80cm)	10mm ² (80cm)

TECHNISCHE SPECIFICATIES

Model	PSI1500TX	PSI2000TX	PSI3000TX	PSI3000TX Hybrid
Batterij-spanning	10.5V – 16V	10.5V – 16V	10.5V – 16V	10.5V – 16V
Ruststroom	≤0.65A	≤0.7A	≤1.2A	≤1.2A
Aanbevolen batterij-capaciteit	SLA/Gel/AGM: ≥250Ah	SLA/Gel/AGM: ≥320Ah	SLA/Gel/AGM: ≥ 480Ah	SLA/Gel/AGM: ≥480Ah
AC uitgangsspanning	230V	230V	230V	230V
Frequentie	50Hz	50Hz	50Hz	50Hz
Transferswitch (by-pass)	Ja	Ja	Ja	Ja
Nominaal uitgangsvermogen	1500W	2000W	3000W	3000W
Verhoogd vermogen	2250W (10s)	3000W (10s)	4500W (10s)	4500W (10s)
Piekvermogen	3000W (2s)	4000W (2s)	6000W (2s)	6000W (2s)
Efficiëntie	≥90%	≥90%	≥90%	≥90%
USB uitgang	5V / 2.1A	5V / 2.1A	5V / 2.1A	5V / 2.1A
Afmetingen LxBxH	320x220x90mm (behuizing) 380x220x85mm (incl. aansluitingen)	385x220x85mm (behuizing) 440x220x85mm (incl. aansluitingen)	415x220x150mm (behuizing) 510x220x150mm (incl. aansluitingen)	415x220x150mm (behuizing) 515x220x150mm (incl. aansluitingen)
Gewicht	4.1kg	5.0kg	7.6kg	8.6kg
Bedrijfstemperatuur	-15°C – 40°C	-15°C – 40°C	-15°C – 40°C	-15°C – 40°C
Opslagtemperatuur	-40°C – 85°C	-40°C – 85°C	-40°C – 85°C	-40°C – 85°C
Koeling	Luchtgekoeld	Luchtgekoeld	Luchtgekoeld	Luchtgekoeld
Afstandsbediening met bedrading	Inclusief	Inclusief	Inclusief	Inclusief
Batterij bekabeling	16mm ² (80cm)	25mm ² (80cm)	35mm ² (80cm)	35mm ² (80cm)
Zonnepaneel-aansluiting MC4	Nee	Nee	Nee	Ja
MPPT Lader 20A	Nee	Nee	Nee	Ja
Batterij-lader 20A	Nee	Nee	Nee	Ja

ONDERHOUD

Zorg ervoor dat de omvormer is uitgeschakeld terwijl u onderhoud uitvoert. Voor een goede werking van uw omvormer is weinig onderhoud nodig. U moet de buitenkant regelmatig met een droge doek schoonmaken om ophoping van stof en vuil te voorkomen. Controleer ook de bevestigingen op de DC-ingangsklemmen en draai deze vast.

GARANTIE

Pro-User Electronics garandeert dit product voor een periode van 2 jaar vanaf de datum van aankoop aan de oorspronkelijke koper. De garantie is niet overdraagbaar. De garantie dekt alleen fabricage- en materiaalfouten. Voor service onder de garantie dient u het apparaat samen met uw aankoopbewijs terug te sturen naar de plaats van aankoop of een erkende Pro-User Electronics dealer. De garantie vervalt indien het product is beschadigd of niet is gebruikt zoals beschreven in deze handleiding. De garantie vervalt indien een niet-geautoriseerde reparatie is uitgevoerd. Pro-User Electronics geeft geen andere expliciete of impliciete garantie. Pro-User Electronics is alleen verantwoordelijk voor reparatie of vervanging van het defecte product en is niet verantwoordelijk voor gevolgschade of ongemak veroorzaakt door het defect.

Contactgegevens:

Tradekar Benelux BV
Ohmweg 1
4104 BM Culemborg
Nederland
+31(0)345470990
Info@tradekar.com

Pro-User Electronics is onderdeel van Tradekar House of Leisure Brands.

WWW.PRO-USER.COM



Lisez ce manuel avant d'utiliser ce produit.

Le non-respect de cette consigne peut entraîner des blessures graves.

CONTENU

Introduction	P.63
Instructions de sécurité importantes	P.63
Instructions générales	P.66
Contenu de l'emballage	P.66
Description technique	P.67
Télécommande	P.70
Réglages des dipswitches (Hybrid uniquement)	P.71
Fonction ECO/UPS	P.71
Installation et fonctionnement	P.72
Schéma de câblage	P.73
Dépannage	P.75
Spécifications techniques	P.79
Maintenance	P.81
Garantie	P.81

INTRODUCTION

Les convertisseurs à onde sinusoïdale pure font partie de la famille des convertisseurs de puissance mobiles avancés fabriqués par Pro-User Electronics. Votre convertisseur à onde sinusoïdale pure Pro-User Electronics vous permet de générer une tension sinusoïdale pure de 230V AC 50Hz à partir d'une batterie 12V DC, où que vous alliez. En prime, nous avons intégré un port USB pour alimenter ou charger par exemple votre GPS, votre téléphone portable, votre tablette ou tout autre dispositif USB. Grâce à la tension sinusoïdale pure de haute qualité et aux excellentes capacités de surcharge, même les appareils électroniques sensibles fonctionneront sans problème.

La télécommande filaire vous permet de surveiller et de contrôler votre convertisseur de manière pratique.

Nous avons pris de nombreuses mesures de contrôle de la qualité afin de garantir que votre produit arrive en parfait état et qu'il vous donnera entière satisfaction.

Veillez lire attentivement et suivre les instructions de sécurité et d'utilisation. Le non-respect de ces instructions peut entraîner un accident grave, y compris des dommages matériels, des blessures graves ou même mortelles. Si l'appareil est transmis à une autre personne, ce manuel doit également être remis avec l'appareil.

INSTRUCTIONS DE SÉCURITÉ IMPORTANTES



ATTENTION : Veuillez lire attentivement ce manuel d'instructions avant d'installer et de mettre en marche l'appareil. N'utilisez pas l'onduleur si vous n'avez pas lu et compris toutes les informations fournies. Si vous n'êtes pas sûr de travailler avec une tension de 12V DC ou si vous n'êtes pas certain de ce que vous faites, pensez à demander l'aide d'un service d'installation professionnel ou du constructeur de votre véhicule. Le non-respect de ces instructions peut entraîner un choc électrique, des blessures graves ou mortelles, des dommages matériels ou une altération du fonctionnement de ce convertisseur.

Pro-User Electronics décline toute responsabilité pour les dommages directs ou indirects causés par un montage ou un raccordement défectueux, une utilisation de produits endommagés ou altérés, une utilisation à d'autres fins que celles décrites et surtout causés par le non-respect de ces instructions.

Général :

- Les appareils électriques ne sont pas des jouets. Gardez le produit hors de portée des enfants.
- N'utilisez le produit que comme prévu et aux fins décrites dans le manuel.
- Après avoir ouvert l'emballage, examinez toutes les pièces pour détecter les dommages visibles. Si vous avez trouvé des dommages, veuillez contacter la société auprès de laquelle vous avez acheté cet appareil.
- Débranchez toujours l'alimentation électrique (y compris la connexion à la batterie et à un panneau solaire en option) lorsque vous travaillez sur l'appareil.

- Utilisez uniquement des accessoires approuvés (en particulier tous les câbles) ou des pièces entièrement conformes aux exigences. L'installateur est responsable de l'utilisation de câbles et de fusibles de taille correcte.
- La température de surface peut atteindre jusqu'à 65°C. Mettez l'appareil hors tension et cessez immédiatement de l'utiliser si l'appareil fume ou présente un comportement anormal.
- Cet appareil n'est pas destiné à être utilisé par des personnes (y compris des enfants) dont les capacités physiques, sensorielles ou mentales sont réduites, ou qui manquent d'expérience et de connaissances, à moins qu'elles ne soient surveillées ou qu'elles aient reçu des instructions sur la façon d'utiliser l'appareil par une personne responsable de leur sécurité. Les enfants doivent être surveillés afin de s'assurer qu'ils ne jouent pas avec l'appareil.
- L'installation de l'appareil, les travaux d'entretien et de réparation ne doivent être effectués que par des personnes qualifiées qui connaissent les risques encourus, les réglementations en vigueur et les directives et mesures de sécurité à appliquer.
- Ne pas démonter le convertisseur, le circuit interne contient des tensions dangereuses. Toute tentative d'entretien de l'appareil par vous-même peut entraîner un choc électrique ou un incendie et annulera la garantie de l'appareil.
- Tenez toujours à l'écart les objets métalliques ou autres matériaux susceptibles de court-circuiter les bornes de la batterie ou de l'onduleur. Une étincelle ou un court-circuit qui en résulterait pourrait non seulement endommager l'appareil, mais aussi provoquer une explosion et potentiellement produire un courant suffisamment élevé pour souder une bague ou un objet similaire au métal. Retirez vos objets personnels en métal tels que bagues, bracelets, colliers et montres lorsque vous travaillez sur l'appareil ou la batterie.
- Ne faites fonctionner le convertisseur que si tous les câbles et le boîtier ne sont pas endommagés et si toutes les connexions sont serrées et propres. Des connexions lâches ou sales peuvent entraîner une surchauffe, des étincelles électriques et un incendie.
- Ne connectez pas les bornes de sortie 230V AC de ce convertisseur à une source AC entrante (ou au réseau).
- Ne connectez pas les bornes d'entrée DC du variateur à une source AC entrante.
- N'utilisez jamais le convertisseur sur des véhicules dont la borne positive de la batterie est reliée au châssis.
- Ne jamais connecter les câbles en polarité inverse ou court-circuiter les câbles connectés. Cela pourrait faire sauter les fusibles internes et endommager définitivement le convertisseur.
- Un fusible doit être prévu à une distance de max. 30 cm de la borne positive de la batterie. Sinon, vous risquez d'endommager le câblage ou la batterie en cas de défaut (par exemple, surintensité ou court-circuit). N'utilisez que du câble en cuivre de haute qualité et veillez à ce que la longueur du câble soit courte.
- N'utilisez pas d'appareils susceptibles de réinjecter le courant principal AC dans l'onduleur. Cela pourrait endommager le convertisseur.
- Veillez à ce que l'appareil soit solidement posé. L'appareil doit être mis en place et fixé de manière à ce qu'il ne puisse pas basculer ou tomber.
- Ne connectez jamais d'appareils dont la puissance requise est supérieure à la puissance de sortie maximale de ce convertisseur. Notez que certains appareils peuvent nécessiter un courant de démarrage supérieur à celui indiqué sur la plaque signalétique de l'appareil.

Travailler avec des batteries

- Les batteries peuvent stocker de grandes quantités d'énergie et une manipulation incorrecte peut être dangereuse. Ne vous connectez jamais à une batterie dont la tension est inadaptée ou à d'autres batteries inadaptées ou endommagées.
- Tenez les enfants éloignés des batteries et de l'acide.

- Évitez de mettre de l'électrolyte sur votre peau ou vos vêtements. Il est acide et peut provoquer des brûlures. Si l'acide de la batterie entre en contact avec la peau ou les vêtements, lavez-les immédiatement à l'eau. Le bicarbonate de soude neutralise l'électrolyte des batteries au plomb. Si l'électrolyte pénètre dans vos yeux, inondez-les immédiatement d'eau froide courante pendant au moins 20 minutes et consultez immédiatement un médecin. La protection des yeux est donc recommandée.
- Tenez toujours à l'écart les objets métalliques ou autres matériaux susceptibles de court-circuiter les bornes de la batterie ou de ce convertisseur.
- Mettez l'appareil hors tension avant de faire ou de défaire les connexions à la batterie.
- Respectez les instructions techniques du vendeur ou du fabricant de votre batterie.
- Vérifiez que toutes les connexions sont bien serrées et propres. Des connexions lâches ou sales peuvent entraîner une surchauffe, des étincelles électriques et un incendie. Utilisez de la graisse pour bornes lorsque cela est nécessaire.
- Ne fumez jamais et ne laissez pas d'étincelle ou de flamme à proximité de la batterie.
- N'essayez jamais de charger une batterie endommagée ou gelée.
- Ne placez pas l'appareil directement sur la batterie ou vice versa, ni sur une surface construite en matériau combustible.
- Lisez le manuel d'utilisation de votre véhicule. Certains constructeurs automobiles peuvent avoir des exigences particulières avant de charger ou de décharger la batterie du véhicule (par exemple, des fusibles qui doivent être retirés ou certaines exigences de sécurité).

Environnement

- N'utilisez le produit que dans des environnements de 0°C ~ 45°C.
- Ne faites pas fonctionner le produit dans un environnement humide, mouillé ou poussiéreux : N'exposez jamais l'onduleur à la pluie ou à la neige. Vous risqueriez d'endommager l'onduleur ou d'autres équipements installés dans le système ou de provoquer un choc électrique ou un incendie. Ne faites pas fonctionner l'appareil dans des atmosphères explosives, par exemple en présence de liquides, de gaz ou de poussières inflammables. Ne placez pas de piles, ou tout ce qui doit être protégé des étincelles, autour de l'onduleur. Cela pourrait entraîner un incendie ou une explosion.
- Pour éviter l'accumulation de chaleur, ne couvrez pas l'appareil. Pour éviter toute surchauffe, assurez-vous que les entrées d'air et la ventilation ne sont pas obstruées. N'exposez pas l'appareil à une source de chaleur (telle que la lumière directe du soleil ou un chauffage). Évitez tout réchauffement supplémentaire de l'appareil de cette manière.

Câbles électriques

- Si les câbles doivent passer par des trous métalliques ou d'autres parois aux arêtes vives, utilisez des gaines ou des passe-câbles pour éviter tout dommage.
- Ne posez pas de câbles lâches ou pliés à côté d'un matériau conducteur d'électricité (métal).
- Ne tirez pas sur les câbles.
- Évitez de poser un câble secteur de 230 V AC et des câbles de 12 V DC dans la même gaine.
- Évitez que tous les câbles soient piétinés, qu'on trébuche dessus ou qu'ils soient endommagés par des bords tranchants ou des surfaces chaudes.

INSTRUCTIONS GÉNÉRALES

Utilisation prévue

Le convertisseur à onde sinusoïdale pure de Pro-User Electronics convertit une tension continue de 12V (par exemple, une batterie ou une autre source de 12V qui peut fournir le courant requis) en une tension sinusoïdale pure de 200-240V 50Hz AC. Le port USB intégré est destiné à alimenter ou à charger des dispositifs USB de 5V (il faut tenir compte du courant maximum délivré). La télécommande filaire permet à l'utilisateur de surveiller et de contrôler le convertisseur de manière pratique.

Matériaux d'emballage

Pour éviter tout risque d'étouffement, ne laissez pas les enfants jouer avec les feuilles ou autres matériaux d'emballage. Retirez toutes les protections avant de mettre l'appareil en service.

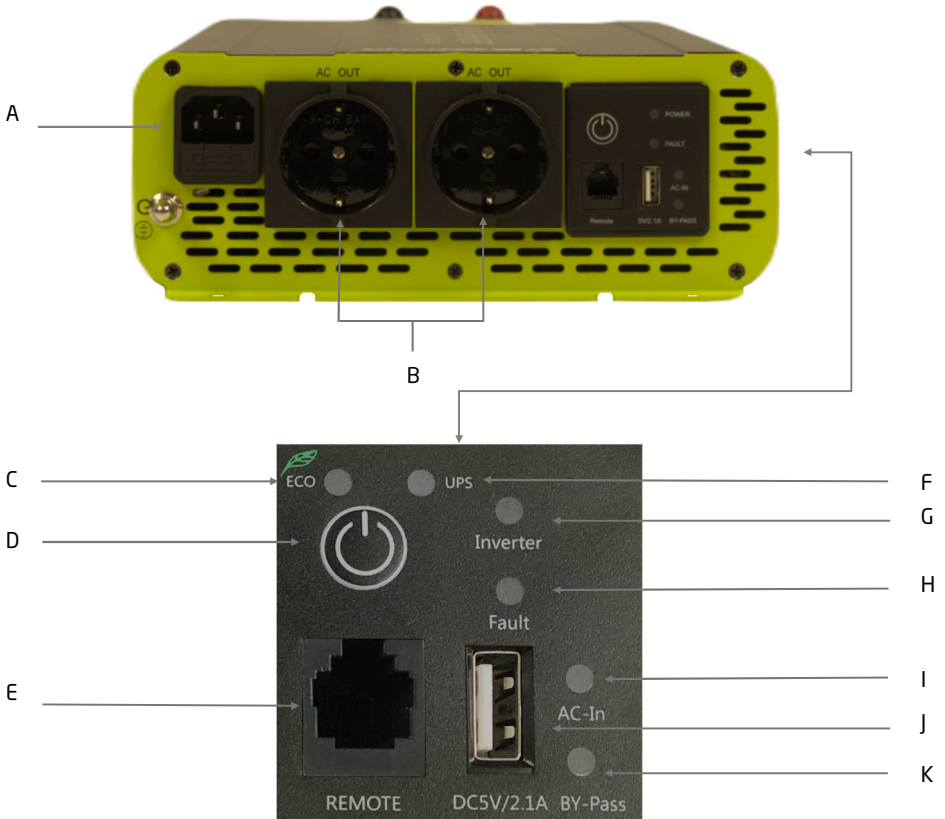
Stockage

Lorsque vous n'utilisez pas le convertisseur, stockez-le dans un environnement sec. Stockez l'appareil dans un endroit sûr, hors de portée des enfants. Protégez l'appareil des rayons directs du soleil, de la chaleur et de l'humidité.

CONTENU DE L'EMBALLAGE

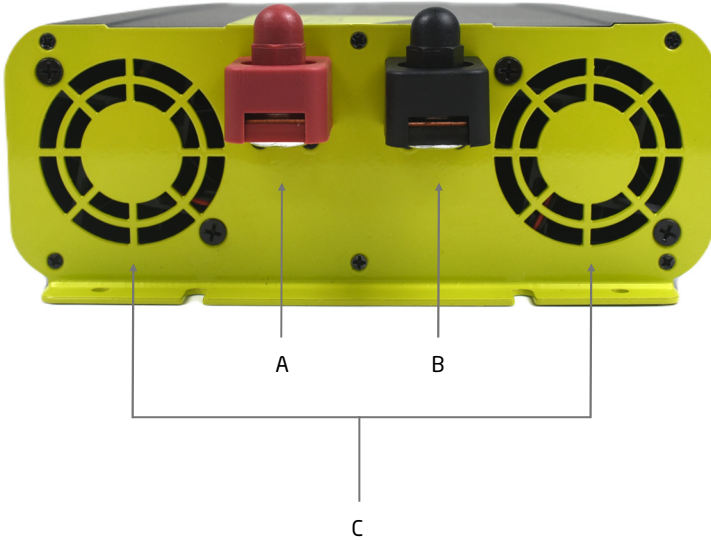
- 1x Convertisseur à onde sinusoïdale pure de Pro-User Electronics
- 1x Télécommande (600/1000/1500/2000/3000W)
- 1x Câblage de la télécommande (600/1000/1500/2000/3000W)
- 1x Cadre de montage en surface de la télécommande (600/1000/1500/2000/3000W)
- 1x Kit de câblage de batterie
- 1x Câble de connexion 230V (1000/1500/2000W)
- 1x Mode d'emploi

DESCRIPTION TECHNIQUE



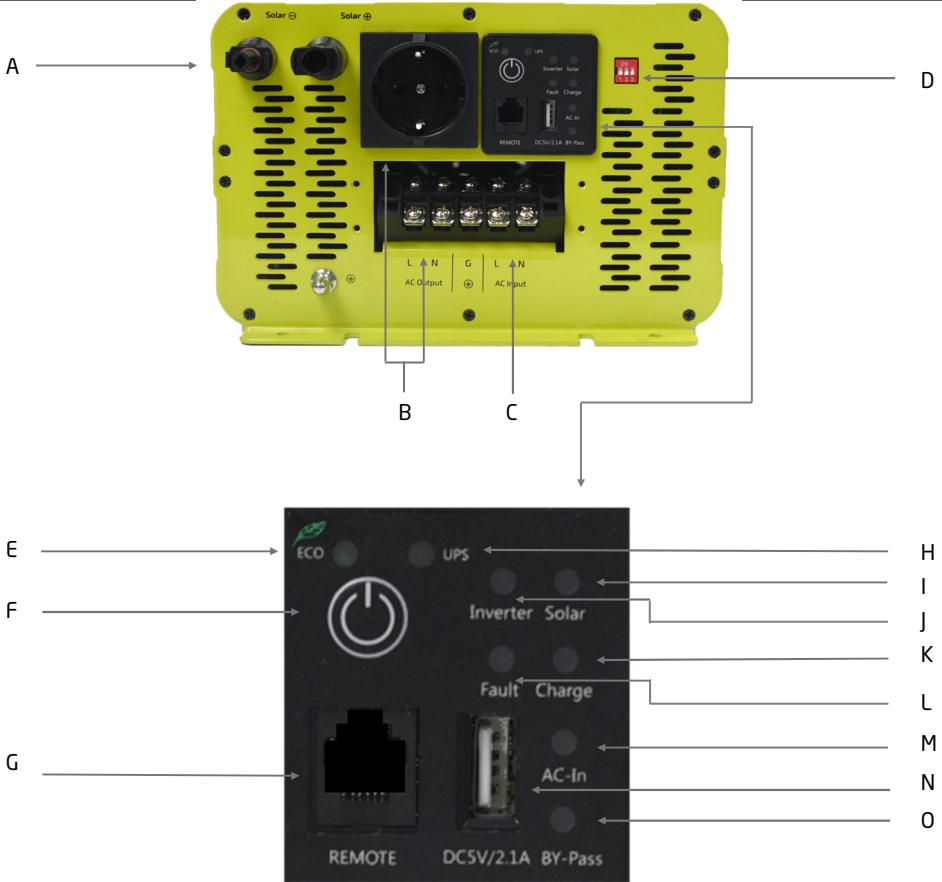
- A) Prise d'entrée 230V AC (1000W / 1500W / 2000W)
- B) Prise de sortie 230V AC
- C) Voyant d'indication du mode ECO (1000W / 1500W / 2000W / 3000W)
- D) Interrupteur d'alimentation
- E) Connexion du câblage de la télécommande
- F) Voyant d'indication de mode UPS (1000W / 1500W / 2000W / 3000W)
- G) Voyant d'indication de la fonction convertisseur
- H) Voyant d'indication de défaut
- I) Voyant d'indication de l'arrivée du AC
- J) Sortie USB
- K) Voyant d'indication de BY-Pass

DESCRIPTION TECHNIQUE



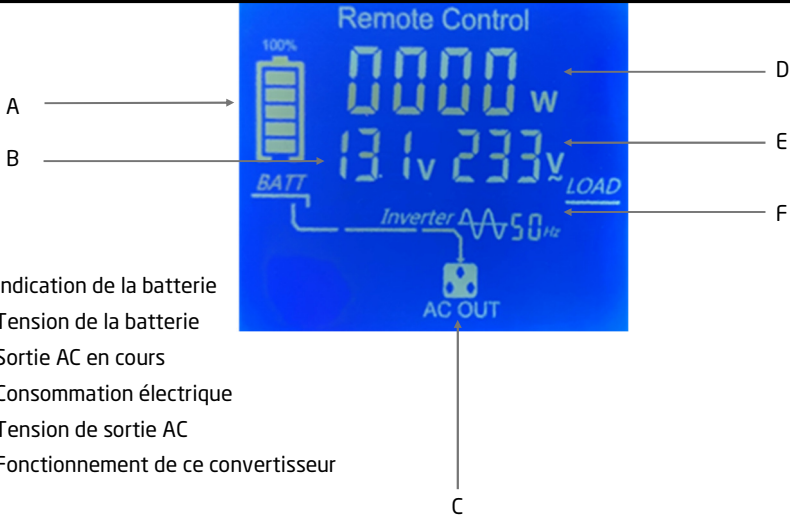
- A) Terminal positif de la batterie (rouge / +)
- B) Terminal négatif de la batterie (noir / -)
- C) Événements de refroidissement

DESCRIPTION TECHNIQUE SÉRIE 3000W & HYBRID PSI

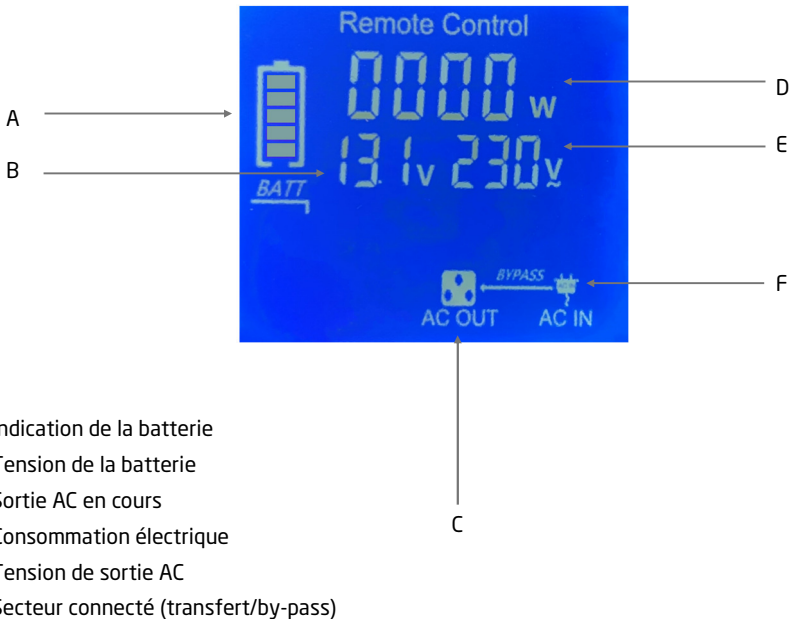


- A) Entrée panneau solaire (MC4 Hybrid uniquement)
- B) Connexions de la sortie 230V AC
- C) Connexion entrée 230V AC
- D) Dip switches de configuration de la batterie (Hybrid uniquement)
- E) Led d'indication du mode ECO
- F) Interrupteur d'alimentation
- G) Connexion du câblage de la télécommande
- H) Voyant d'indication de mode UPS
- I) Voyant d'indication de la fonction de charge solaire (Hybrid uniquement)
- J) Voyant d'indication de la fonction convertisseur
- K) Voyant d'indication de la fonction de charge 230V AC (Hybrid uniquement)
- L) Voyant d'indication de défaut
- M) Voyant d'indication de l'arrivée du AC
- N) Sortie USB
- O) Voyant d'indication BY-Pass

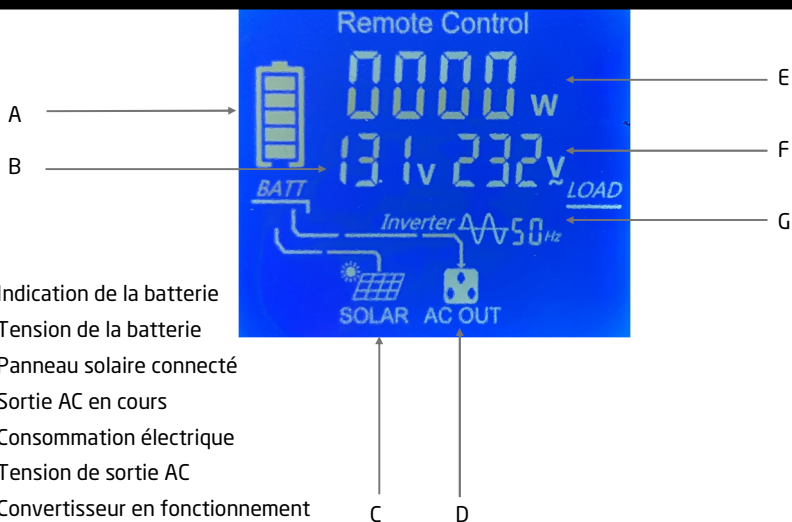
ÉCRAN DE LA TÉLÉCOMMANDE MODE CONVERTISSEUR



ÉCRAN DE LA TÉLÉCOMMANDE MODE BY-PASS (1000W / 1500W / 2000W / 3000W)



ÉCRAN TÉLÉCOMMANDE MODE SOLAIRE MPPT (HYBRID UNIQUEMENT)



RÉGLAGES DES DIPSWITCHS (HYBRID UNIQUEMENT)

La fonction de chargeur de batterie est réglée à l'aide des commutateurs DIP situés sur le côté de du convertisseur. Le schéma ci-dessous montre comment les régler. En cas de doute sur le réglage dont vous avez besoin, veuillez contacter votre fournisseur de batteries.

Setting	Dip switch	Bulk / Absorption	Float	Battery Type
L	<input type="checkbox"/> <input type="checkbox"/> SW0	14.6V		LiFePO4
S	<input type="checkbox"/> <input type="checkbox"/> SW1	14.8V	13.8V	Flooded
	<input type="checkbox"/> <input type="checkbox"/> SW2	15.0V	13.8V	Calcium
	<input type="checkbox"/> <input type="checkbox"/> SW3	14.6V	13.6V	AGM
	<input type="checkbox"/> <input type="checkbox"/> SW4	14.4V	13.4V	SLA
	<input type="checkbox"/> <input type="checkbox"/> SW5	14.2V	13.2V	GEL
Power Supply Mode, Constant Voltage Setting				
	<input type="checkbox"/> <input type="checkbox"/> SW6	13.8V		
	<input type="checkbox"/> <input type="checkbox"/> SW7	12.0V		

FONCTION ECO/UPS (1000/1500/2000/3000w)

Le convertisseur est équipé d'un réglage ECO (économie d'énergie) et UPS. En mode ECO, la consommation de la batterie est privilégiée. De cette façon, aucune tension entrante externe n'est appliquée tant que la capacité de la batterie est suffisante. Si vous choisissez le mode UPS (réglage par défaut), la tension externe entrante de 230V AC est préférée (bypass). En mode UPS, la batterie est sélectionnée lorsqu'aucune tension externe entrante n'est disponible. Pour passer du mode UPS au mode ECO ou vice versa, appuyez sur le bouton d'alimentation pendant 2 secondes.

INSTALLATION & FONCTIONNEMENT



AVERTISSEMENT : Veuillez lire attentivement ce manuel d'instructions avant d'installer et de mettre en marche l'appareil. N'utilisez pas l'onduleur si vous n'avez pas lu et compris toutes les informations fournies. Si vous n'êtes pas sûr de travailler avec une tension de 12V DC ou si vous n'êtes pas certain de ce que vous faites, pensez à demander l'aide d'un service d'installation professionnel ou du constructeur de votre véhicule. Le non-respect de ces instructions peut entraîner un choc électrique, des blessures graves ou mortelles, des dommages matériels ou une altération du fonctionnement de ce convertisseur.



AVERTISSEMENT : Avant d'installer l'onduleur, assurez-vous que l'interrupteur principal est réglé sur la position "OFF". Assurez-vous que les pôles de la batterie sont propres lorsque vous connectez les bornes. Serrez les écrous et les boulons à un couple de 12-13 Nm. Des connexions lâches ou sales peuvent provoquer une surchauffe.



Risque de choc électrique : Le fonctionnement du convertisseur sans une connexion à la terre appropriée peut entraîner un risque de sécurité électrique. S'assurer que la connexion à la terre est correcte lors de l'installation. Ne pas inverser la polarité. L'inversion de la polarité des connexions peut provoquer une étincelle et faire fondre les fusibles internes.



Respectez les réglementations et directives en vigueur dans votre pays ! Dans certains pays, il peut y avoir des réglementations légales qui exigent une protection RCD des connexions de sortie AC des installations (dispositif à courant résiduel, également connu sous le nom de RCCB/GFCI). Les RCD peuvent

Fixation du convertisseur

Lors du choix du lieu d'installation, respectez les instructions suivantes :

- Le convertisseur peut être monté horizontalement ou verticalement.
- La surface d'installation doit être plane et suffisamment solide.
- Le convertisseur doit être installé dans un endroit protégé de la saleté, de la poussière et de l'humidité.
- Le convertisseur ne doit pas être installé en présence de matériaux inflammables.
- Le lieu d'installation doit être bien ventilé. Un système de ventilation doit être présent pour les installations dans des espaces réduits et fermés.
- L'espace libre minimum autour de votre convertisseur doit être d'au moins 25 cm.
- Ne pas bloquer ou couvrir les orifices de ventilation. Veillez à garder une distance (d'au moins 1 pouce) avec les objets environnants.

Câblage et câbles



Un fusible doit être prévu à une distance de max. 30 cm de la borne positive de la batterie. Sinon, vous risquez d'endommager le câblage ou la batterie en cas de défaut (par exemple, surintensité ou court-circuit).

Une connexion en polarité inversée peut faire sauter le fusible interne et endommager le convertisseur de façon permanente.

SCHÉMA DE CÂBLAGE

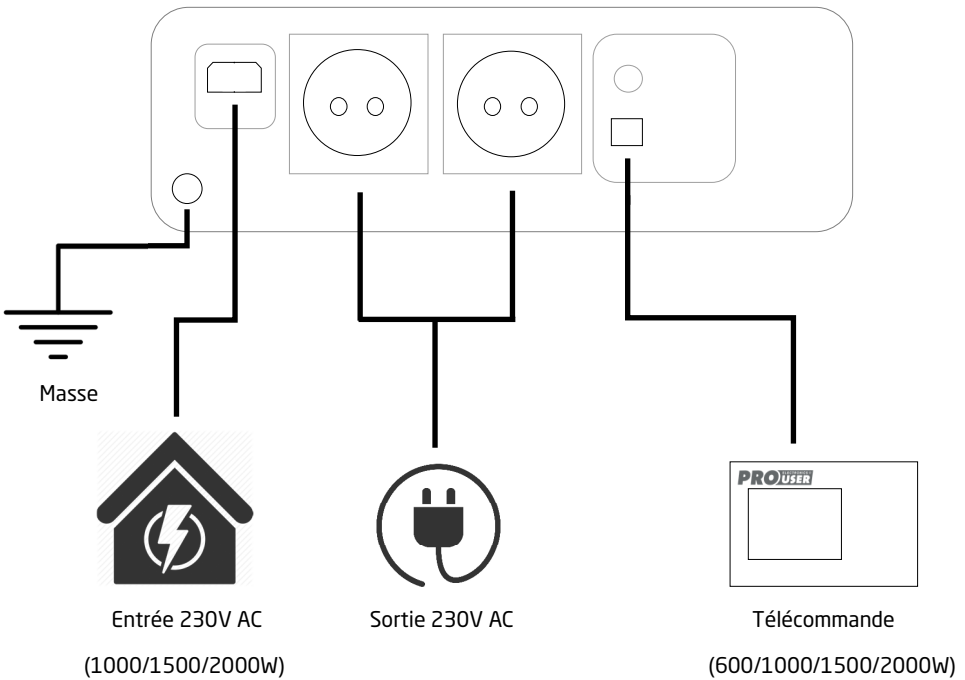
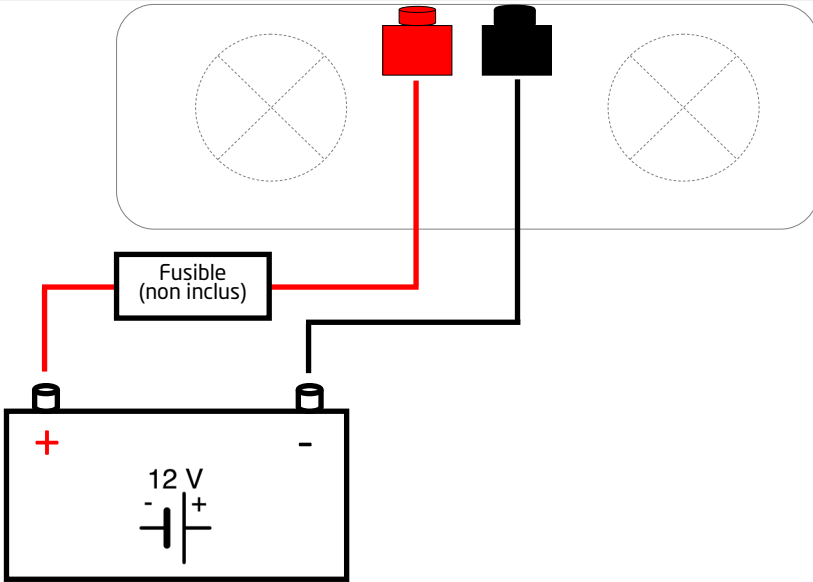
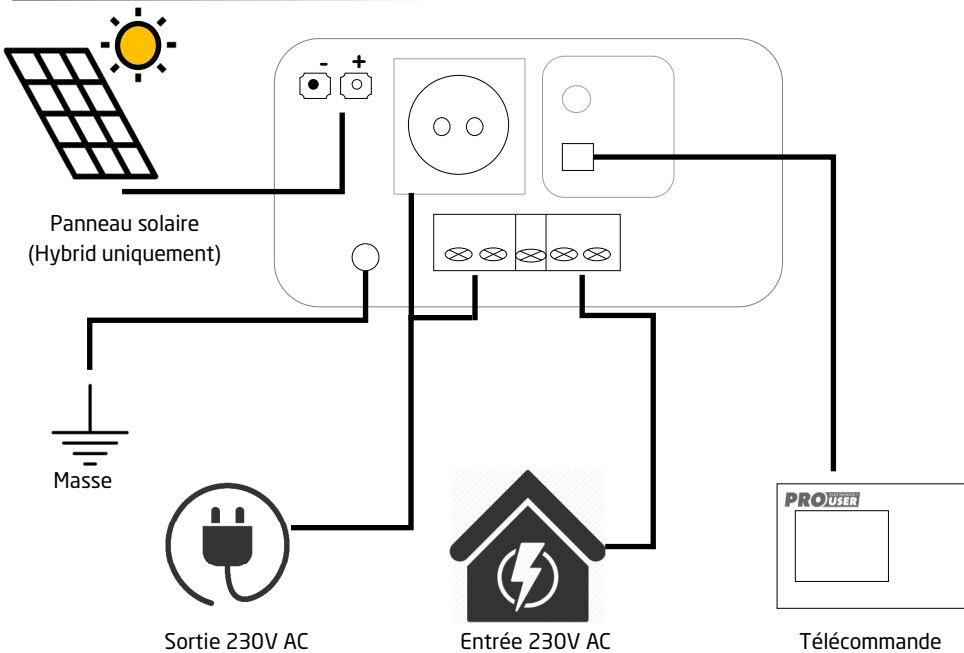
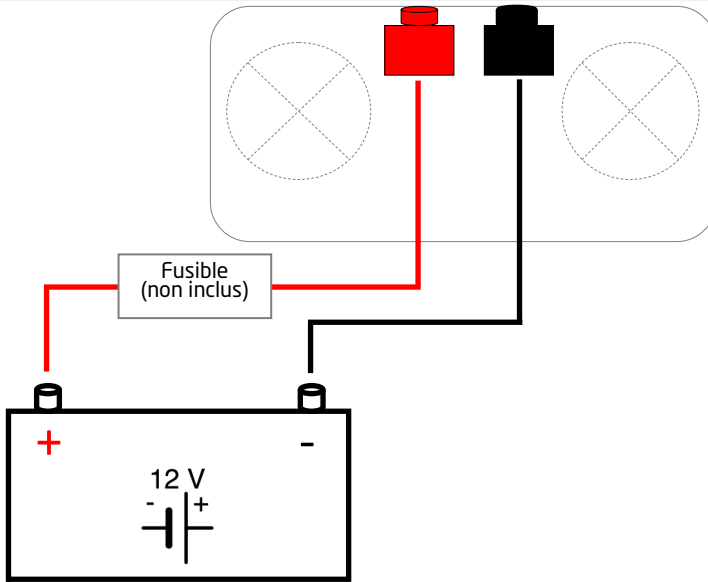


SCHÉMA DE CÂBLAGE 3000W & HYBRID SÉRIE PSI



Configuration de votre convertisseur

Pour installer le convertisseur, utilisez les câbles appropriés pour :

- Connectez le pôle positif (généralement marqué par + ou coloré en rouge) de la batterie et le pôle positif (coloré en rouge) de votre convertisseur.
- Connectez le pôle négatif (généralement marqué par - ou coloré en noir) de la batterie et le pôle négatif (coloré en noir) de votre convertisseur.
- Fonction de commutateur de transfert automatique (by-pass 1000/1500/2000/3000W seulement).
- Connectez la connexion d'entrée 230V AC à la connexion d'entrée à l'aide du câble fourni (non inclus avec le 3000W/Hybrid). La fonction de by-pass prend automatiquement effet lorsqu'une source externe de 230V AC est connectée (mode UPS). En cas de défaillance de la source externe, la fonction de convertisseur s'active automatiquement.

Veillez à bien fixer tous les câbles.

Le convertisseur est maintenant prêt à être utilisé : Appuyez sur l'interrupteur principal pour mettre l'appareil sous tension. Veuillez noter les fonctions de l'appareil décrites dans le chapitre "DESCRIPTION TECHNIQUE".

REMARQUE : Vous pouvez faire fonctionner le convertisseur avec le moteur de votre véhicule en marche ou éteint. Cependant, il est recommandé d'éteindre le convertisseur lorsque vous démarrez le moteur.

Port USB

Connectez l'appareil externe USB au port USB et mettez-le sous tension. Le port USB de l'onduleur fournit une alimentation de 5V DC pour les appareils externes USB.

Port de connexion à distance (télécommande)

Connectez la télécommande au port de connexion à distance.

Connexion au panneau solaire (connecteurs MC4). Série Hybrid PSI uniquement.

Installez votre panneau solaire sur les connecteurs MC4. Le système reconnaît lui-même la connexion et la fonction de charge du contrôleur MPPT prend effet.

Réglages des dipswitches de la batterie. Série Hybrid PSI uniquement.

Pour charger vos batteries de manière optimale, le convertisseur Hybrid est équipé de dipswitches. Voir le chapitre Réglages des dipswitches pour connaître les réglages corrects pour votre batterie.

DÉPANNAGE



AVERTISSEMENT ! Ne pas ouvrir ou démonter le convertisseur. Toute tentative d'entretien de l'appareil par vous-même peut entraîner un risque de choc électrique ou d'incendie. Veuillez suivre les consignes de sécurité lorsque vous travaillez sur l'appareil.

Si l'appareil ne fonctionne pas du tout, un fusible interne est peut-être grillé. Cela se produit toujours pour une raison précise. Il y a peut-être eu un court-circuit, lors du branchement de votre convertisseur dans une mauvaise polarité. N'essayez pas de remplacer les fusibles internes vous-même. Le convertisseur doit être contrôlé par le fabricant ou par un service agréé.

DÉPANNAGE

Symptôme	Cause possible	Solutions
L'interrupteur général est allumé, mais il n'y a pas de sortie 230V AC et aucun indicateur LED n'est allumé.	Il n'y a pas de tension à l'entrée DC.	<ul style="list-style-type: none"> • Vérifiez que le fusible de la batterie n'est pas grillé et qu'il est intact. • Vérifiez que toutes les connexions de l'entrée DC sont bien serrées. • Vérifiez la continuité du circuit d'entrée DC. • Si vous utilisez une batterie au lithium, vérifiez qu'elle ne s'est pas mise en mode de protection/sécurité. Si c'est le cas, suivez les instructions du fabricant de la batterie pour la réinitialiser.
	La polarité de l'entrée DC a été inversée et a fait sauter les fusibles internes. (NOTE : Ceci peut avoir causé des dommages permanents à votre convertisseur, et annuler toute garantie).	Le convertisseur devra être retourné à Pro-User Electronics pour une évaluation plus approfondie.
Le convertisseur émet un bip, le voyant d'alimentation est vert. Mais l'appareil AC connecté ne s'allume pas.	<ul style="list-style-type: none"> • Connexions de sortie AC desserrées. • Court-circuit du câblage de la sortie AC. • L'appareil AC est défectueux. • L'appareil à AC est éteint. 	<ul style="list-style-type: none"> • Vérifiez que toutes les connexions de sortie AC sont bien serrées et non desserrées (consultez un électricien agréé). • Vérifiez qu'il n'y a pas de court-circuit dans votre câblage AC. • Testez l'appareil sur une prise de courant alternatif de 230V. • S'il n'y a toujours pas de sortie, contactez Pro-User Electronics.

DÉPANNAGE

Symptôme	Cause possible	Solutions
Le convertisseur émet deux bips.	Avertissement de faible tension d'entrée DC. La tension de l'entrée DC est inférieure à $10.5 \pm 0,5V$ DC.	<ul style="list-style-type: none">• Vérifiez que la batterie n'est pas déchargée et entièrement chargée, rechargez-la si elle est faible.• Vérifiez que les câbles de la batterie sont suffisamment épais pour transporter le courant nécessaire sur la longueur requise. Utilisez des câbles plus épais si nécessaire.• Vérifiez qu'il n'y a pas de connexions desserrées sur le circuit d'entrée DC.
Le convertisseur émet trois bips, le voyant rouge de défaut s'allume et il n'y a pas de sortie AC.	Avertissement protégé par une faible tension d'entrée DC. La tension à l'entrée DC est inférieure à $10 \pm 0,5 V$ DC.	<ul style="list-style-type: none">• Vérifiez que la batterie n'est pas déchargée et entièrement chargée, rechargez-la si elle est faible.• Vérifiez que les câbles de la batterie sont suffisamment épais pour transporter le courant nécessaire sur la longueur requise. Utilisez des câbles plus épais si nécessaire.• Vérifiez qu'il n'y a pas de connexions desserrées sur le circuit d'entrée DC.
Le convertisseur émet quatre bips, le voyant rouge de défaut s'allume et il n'y a pas de sortie AC.	Sur tension détectée sur l'entrée DC. Lorsque la tension sur l'entrée DC est supérieure à $16 +0,5V$ DC, la sortie AC s'arrête.	<ul style="list-style-type: none">• Vérifiez que la tension aux bornes d'entrée DC ne dépasse pas $16.0V$ DC ; si c'est le cas, essayez d'abaisser la tension de la batterie et vérifiez les tensions de charge de la batterie.• Veillez à ce que la tension de charge maximale de tous les chargeurs (par exemple, le contrôleur solaire) connectés à la batterie soit inférieure à $16,0 V$ DC.

DÉPANNAGE

Symptôme	Cause possible	Solutions
Le convertisseur émet cinq bips, le voyant rouge de défaut s'allume et il n'y a pas de sortie AC.	Le convertisseur est en surchauffe. Lorsque la température interne dépasse 75°C, la sortie AC s'arrête.	<ul style="list-style-type: none">● Réinitialiser le convertisseur en l'éteignant et en le rallumant et vérifier si les ventilateurs de refroidissement fonctionnent (les ventilateurs s'allument automatiquement lorsque le convertisseur est chargé à 20% ou que les températures internes sont de 45°C). Si les ventilateurs de refroidissement ne fonctionnent pas, l'onduleur doit faire l'objet d'une évaluation plus approfondie, veuillez contacter Pro-User Electronics.● Si les ventilateurs fonctionnent, vérifiez que toutes les fentes de ventilation et les ouvertures des ventilateurs ne sont pas obstruées. Assurez-vous également que de l'air frais circule vers l'onduleur et que la température ambiante ne dépasse pas 45°C.
Le convertisseur émet un bip onze fois, la LED rouge de défaut s'allume et le convertisseur s'arrête.	Le convertisseur a détecté un court-circuit sur la sortie AC.	Veuillez vérifier que le appareil connecté n'est pas défectueux et vérifiez qu'il n'y a pas de courts-circuits dans le circuit AC.
Le convertisseur émet des bips continuellement, le voyant rouge de défaut s'allume et il n'y a pas de sortie AC.	Le convertisseur s'est arrêté en raison d'une surcharge. La charge connectée a dépassé la capacité de surtension de le convertisseur.	<ul style="list-style-type: none">● Déconnectez la charge connectée.● Réduisez la charge connectée.

SPÉCIFICATIONS TECHNIQUES

Model	PSI300	PSI400	PSI600	PSI1000TX
Tension de la batterie	10.5V – 16V	10.5V – 16V	10.5V – 16V	10.5V – 16V
Courant de veille	≤0.25A	≤0.35A	≤0.46A	≤0.56A
Capacité de la batterie recommandée	SLA/Gel/AGM: ≥40Ah	SLA/Gel/AGM: ≥50Ah	SLA/Gel/AGM: ≥100Ah	SLA/Gel/AGM: ≥160Ah
Tension de sortie AC	230V	230V	230V	230V
Fréquence	50Hz	50Hz	50Hz	50Hz
Transferswitch (by-pass)	No	No	No	Yes
Puissance de sortie nominale	300W	400W	600W	1000W
Puissance de surtension	450W (10s)	600W (10s)	900W (10s)	1500W (10s)
Puissance maximale	600W (2s)	800W (2s)	1200W (2s)	2000W (2s)
Efficacité	≥90%	≥90%	≥90%	≥90%
USB Sortie	5V / 2.1A	5V / 2.1A	5V / 2.1A	5V / 2.1A
Dimensions LxLxH	165x150x75mm (logement) 215x150x75mm (bornes incluses)	185x150x75mm (logement) 235x150x75mm (bornes incluses)	215x150x75mm (logement) 265x150x75mm (bornes incluses)	355x150x75mm (logement) 405x150x75mm (bornes incluses)
Poids	1.4kg	1.6kg	1.9kg	2.8kg
Température de fonctionnement	-15°C – 40°C	-15°C – 40°C	-15°C – 40°C	-15°C – 40°C
Température de stockage	-40°C – 85°C	-40°C – 85°C	-40°C – 85°C	-40°C – 85°C
Refroidissement	Air-Cooled	Air-Cooled	Air-Cooled	Air-Cooled
Télécommande avec câblage	En option	En option	En option	En option
Câblage des batteries	4mm ² (80cm)	4mm ² (80cm)	6mm ² (80cm)	10mm ² (80cm)

SPÉCIFICATIONS TECHNIQUES

Model	PSI1500TX	PSI2000TX	PSI3000TX	PSI3000TX Hybrid
Tension de la batterie	10.5V – 16V	10.5V – 16V	10.5V – 16V	10.5V – 16V
Courant de veille	≤0.65A	≤0.7A	≤1.2A	≤1.2A
Capacité de la batterie recommandée	SLA/Gel/AGM: ≥250Ah	SLA/Gel/AGM: ≥320Ah	SLA/Gel/AGM: ≥ 480Ah	SLA/Gel/AGM: ≥480Ah
Tension de sortie AC	230V	230V	230V	230V
Fréquence	50Hz	50Hz	50Hz	50Hz
Transferswitch (by-pass)	Yes	Yes	Yes	Yes
Puissance de sortie	1500W	2000W	3000W	3000W
Puissance de surtension	2250W (10s)	3000W (10s)	4500W (10s)	4500W (10s)
Puissance maximale	3000W (2s)	4000W (2s)	6000W (2s)	6000W (2s)
Efficacité	≥90%	≥90%	≥90%	≥90%
USB Sortie	5V / 2.1A	5V / 2.1A	5V / 2.1A	5V / 2.1A
Dimensions LxLxH	320x220x90mm (logement) 380x220x85mm (bornes incluses)	385x220x85mm (logement) 440x220x85mm (bornes incluses)	415x220x150mm (logement) 510x220x150mm (bornes incluses)	415x220x150mm (logement) 515x220x150mm (bornes incluses)
Poids	4.1kg	5.0kg	7.6kg	8.6kg
Température de fonctionnement	-15°C – 40°C	-15°C – 40°C	-15°C – 40°C	-15°C – 40°C
Température de stockage	-40°C – 85°C	-40°C – 85°C	-40°C – 85°C	-40°C – 85°C
Refroidissement	Air-Cooled	Air-Cooled	Air-Cooled	Air-Cooled
Télécommande avec câblage	Included	Included	Included	Included
Câblage de la batterie	16mm ² (80cm)	25mm ² (80cm)	35mm ² (80cm)	35mm ² (80cm)
Connexion solaire MC4	Non	Non	Non	Oui
Chargeur MPPT 20A	Non	Non	Non	Oui
20AChargeur de batterie	Non	Non	Non	Oui

MAINTENANCE

Veillez à ce que le convertisseur soit éteint lors de toute opération de maintenance. Pour assurer le bon fonctionnement de votre onduleur, très peu d'entretien est nécessaire. Vous devez nettoyer périodiquement l'extérieur avec un chiffon sec pour éviter l'accumulation de poussière et de saleté. Vérifiez et serrez également les fixations des bornes d'entrée DC.

GARANTIE

Pro-User Electronics garantit ce produit pour une période de 2 ans à compter de la date d'achat à l'acheteur original. La garantie n'est pas transférable. La garantie couvre uniquement les défauts de fabrication et de matériaux. Pour obtenir un service de garantie, veuillez retourner l'appareil au lieu d'achat ou au revendeur agréé de Pro-User Electronics, accompagné de votre preuve d'achat. La garantie est annulée si le produit a été endommagé ou n'a pas été utilisé comme décrit dans ce manuel. La garantie est annulée si une réparation non autorisée a été effectuée. Pro-User Electronics n'offre aucune autre garantie, explicite ou implicite. Pro-User Electronics n'est responsable que de la réparation ou du remplacement du produit défectueux et n'est pas responsable des dommages indirects ou des inconvénients causés par le défaut.

Informations de contact :

Tradekar Benelux BV
Ohmweg 1
4104 BM Culemborg
Les Pays-Bas
+31(0)345470990
Info@tradekar.com

Pro-User Electronics fait partie de Tradekar House of Leisure Brands.

WWW.PRO-USER.COM

PRO ELECTRONICS® **USER**