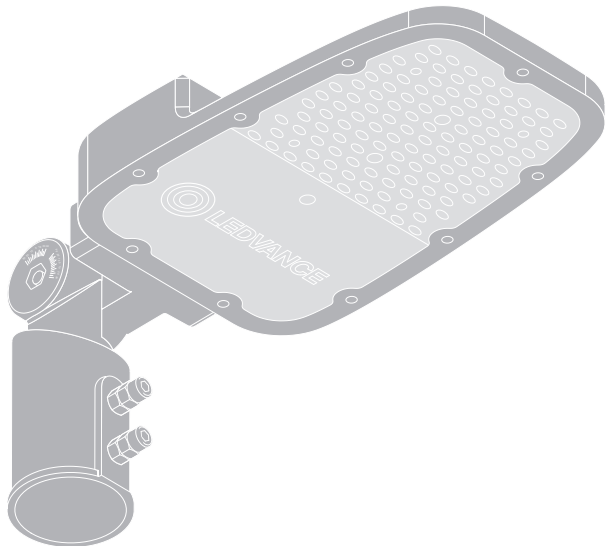
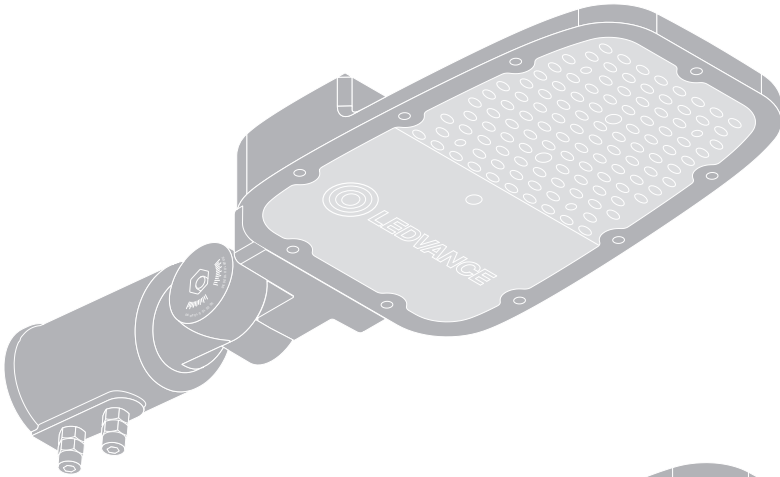


---

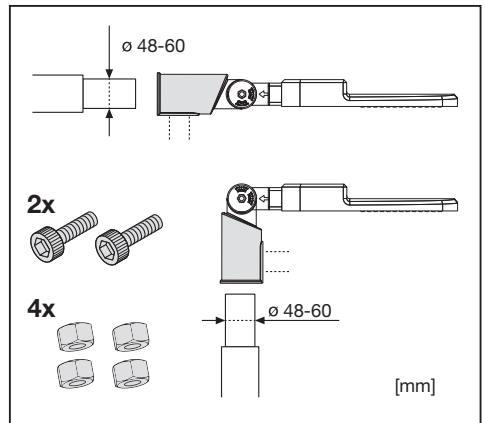
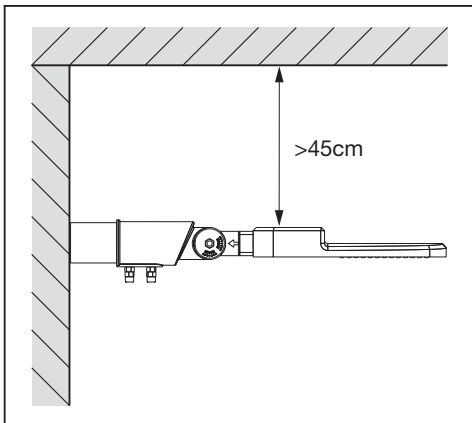
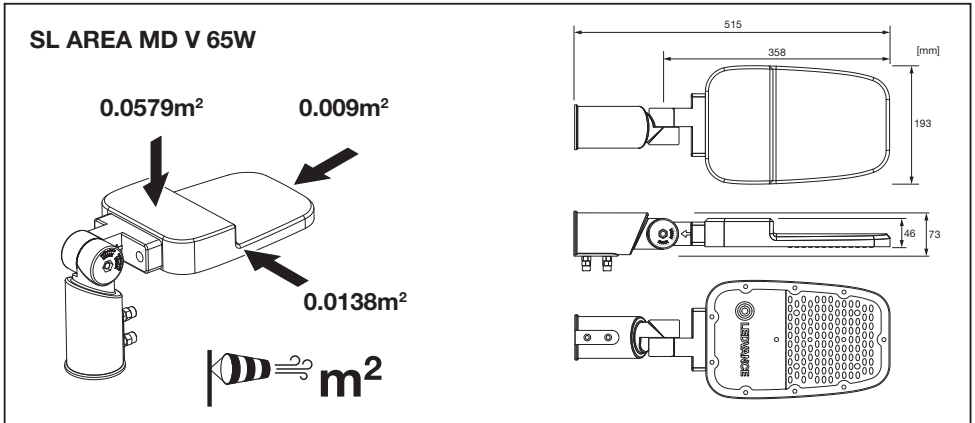
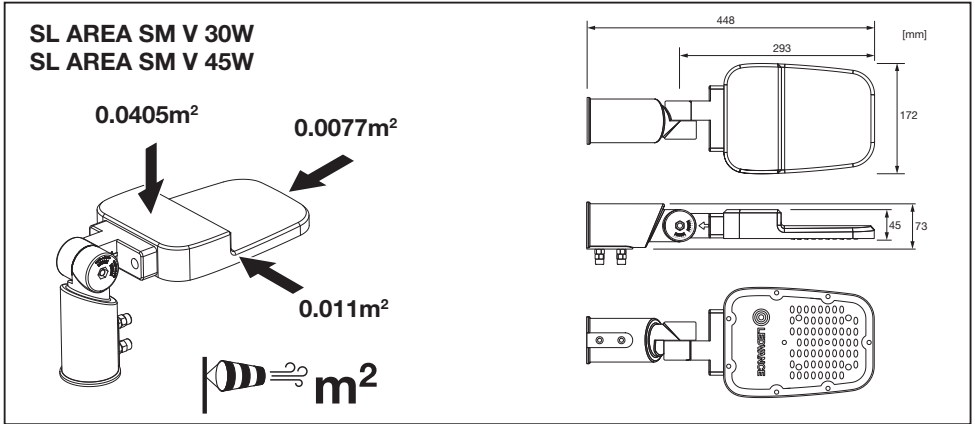
**STREETLIGHT AREA**

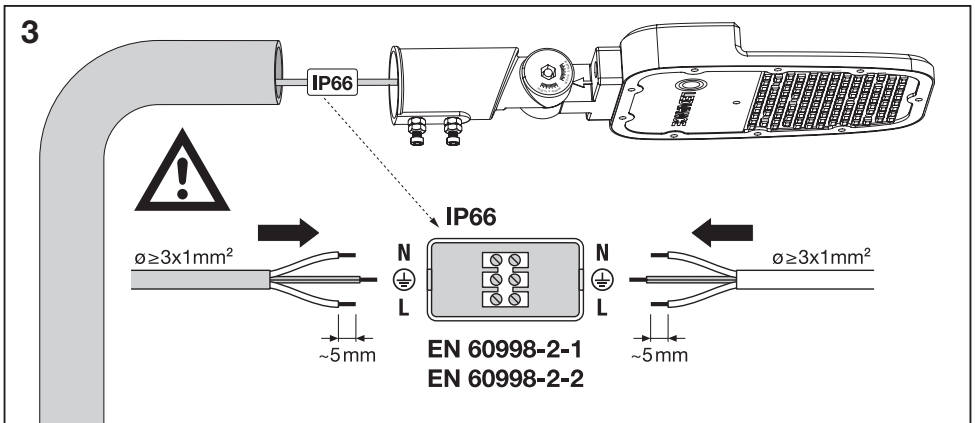
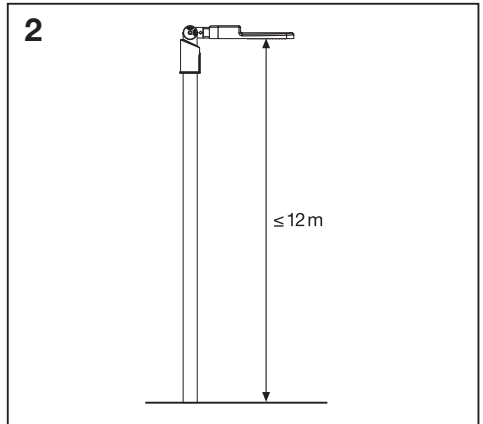
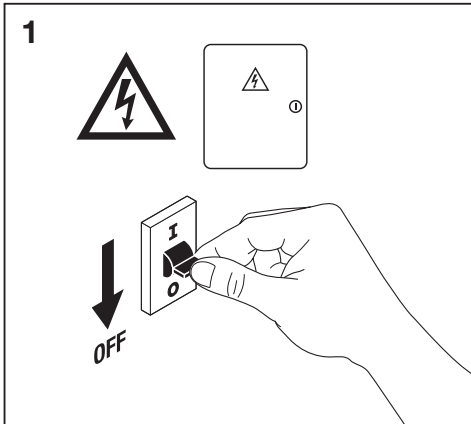
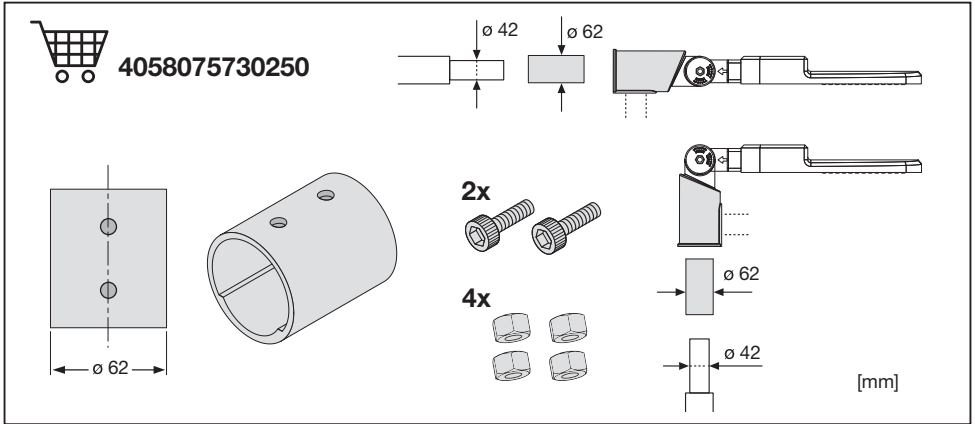
---

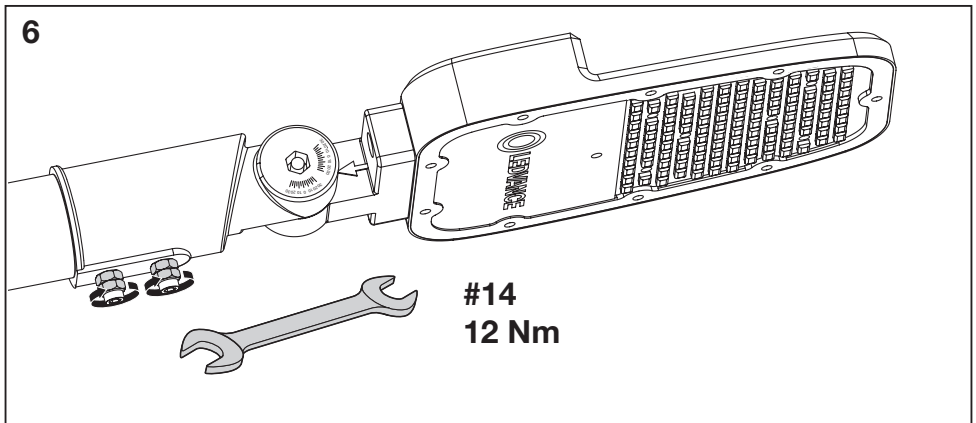
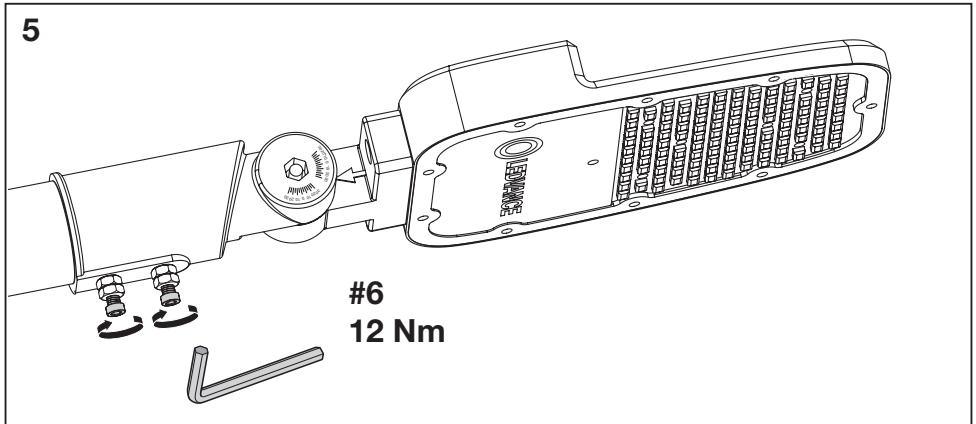
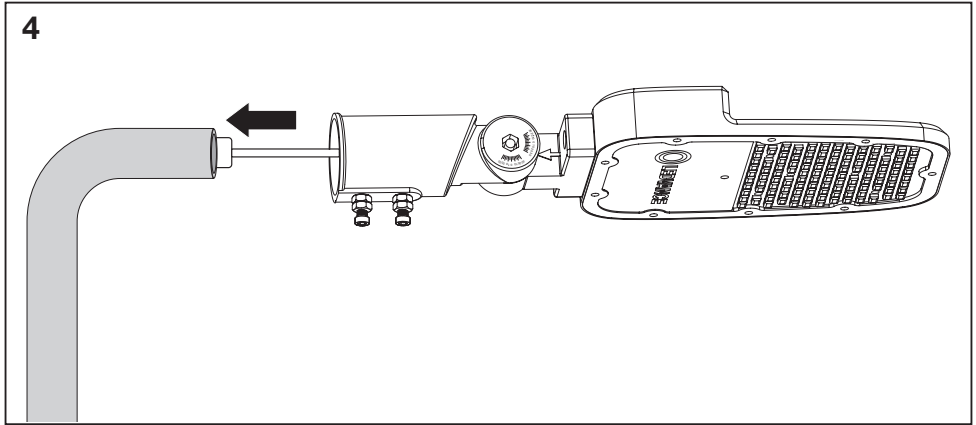


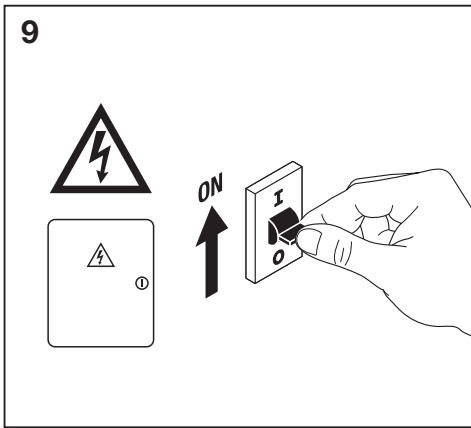
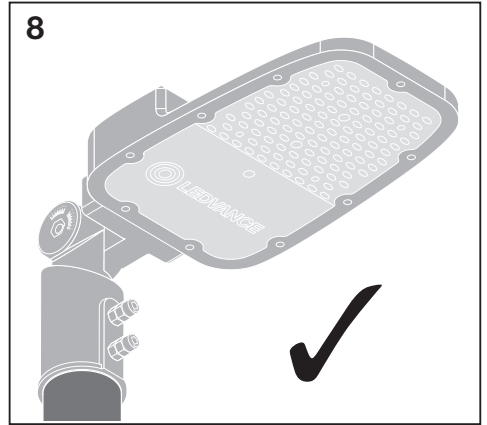
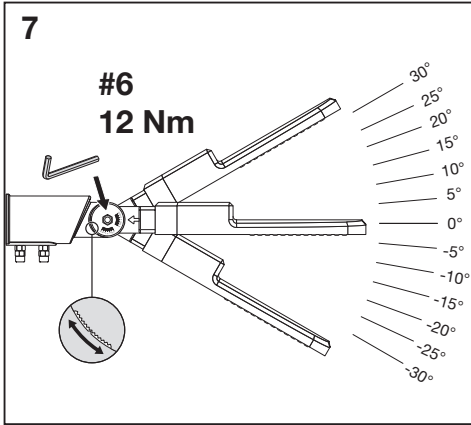
	EAN	l x w x h [mm]	W	V <sub>AC</sub>	Hz	lm	lm/W	K
SL AREA SM V 30W 727 RV20ST GY	4058075725010	448 x 172 x 73	30	100-240	50/60	3900	130	2700
SL AREA SM V 30W 730 RV20ST GY	4058075725034	448 x 172 x 73	30	100-240	50/60	3900	130	3000
SL AREA SM V 30W 740 RV20ST GY	4058075725058	448 x 172 x 73	30	100-240	50/60	4050	135	4000
SL AREA SM V 30W 765 RV20ST GY	4058075725072	448 x 172 x 73	30	100-240	50/60	4050	135	6500
SL AREA SM V 45W 727 RV20ST GY	4058075725096	448 x 172 x 73	45	100-240	50/60	5850	130	2700
SL AREA SM V 45W 730 RV20ST GY	4058075725119	448 x 172 x 73	45	100-240	50/60	5850	130	3000
SL AREA SM V 45W 740 RV20ST GY	4058075725133	448 x 172 x 73	45	100-240	50/60	6075	135	4000
SL AREA SM V 45W 765 RV20ST GY	4058075725157	448 x 172 x 73	45	100-240	50/60	6075	135	6500
SL AREA MD V 65W 727 RV20ST GY	4058075725171	515 x 193 x 73	65	100-240	50/60	8450	130	2700
SL AREA MD V 65W 730 RV20ST GY	4058075725195	515 x 193 x 73	65	100-240	50/60	8450	130	3000
SL AREA MD V 65W 740 RV20ST GY	4058075725218	515 x 193 x 73	65	100-240	50/60	8775	135	4000
SL AREA MD V 65W 765 RV20ST GY	4058075725232	515 x 193 x 73	65	100-240	50/60	8775	135	6500
SL AREA SPD SM V 30W 727 RV20ST GY	4058075725256	448 x 172 x 73	30	100-240	50/60	3900	130	2700
SL AREA SPD SM V 30W 730 RV20ST GY	4058075725270	448 x 172 x 73	30	100-240	50/60	3900	130	3000
SL AREA SPD SM V 30W 740 RV20ST GY	4058075725294	448 x 172 x 73	30	100-240	50/60	4050	135	4000
SL AREA SPD SM V 30W 765 RV20ST GY	4058075725317	448 x 172 x 73	30	100-240	50/60	4050	135	6500
SL AREA SPD SM V 45W 727 RV20ST GY	4058075725331	448 x 172 x 73	45	100-240	50/60	5850	130	2700
SL AREA SPD SM V 45W 730 RV20ST GY	4058075725355	448 x 172 x 73	45	100-240	50/60	5850	130	3000
SL AREA SPD SM V 45W 740 RV20ST GY	4058075725379	448 x 172 x 73	45	100-240	50/60	6075	135	4000
SL AREA SPD SM V 45W 765 RV20ST GY	4058075725393	448 x 172 x 73	45	100-240	50/60	6075	135	6500
SL AREA SPD MD V 65W 727 RV20ST GY	4058075725416	515 x 193 x 73	65	100-240	50/60	8450	130	2700
SL AREA SPD MD V 65W 730 RV20ST GY	4058075725430	515 x 193 x 73	65	100-240	50/60	8450	130	3000
SL AREA SPD MD V 65W 740 RV20ST GY	4058075725454	515 x 193 x 73	65	100-240	50/60	8775	135	4000
SL AREA SPD MD V 65W 765 RV20ST GY	4058075725478	515 x 193 x 73	65	100-240	50/60	8775	135	6500

	EAN	IP	IK	∇	R <sub>a</sub>	⊖ (°C)	PF	⊞
SL AREA SM V 30W 727 RV20ST GY	4058075725010	66	08	160° x 58°	>70	-30...+50	>0.9	1.40 kg
SL AREA SM V 30W 730 RV20ST GY	4058075725034	66	08	160° x 58°	>70	-30...+50	>0.9	1.40 kg
SL AREA SM V 30W 740 RV20ST GY	4058075725058	66	08	160° x 58°	>70	-30...+50	>0.9	1.40 kg
SL AREA SM V 30W 765 RV20ST GY	4058075725072	66	08	160° x 58°	>70	-30...+50	>0.9	1.40 kg
SL AREA SM V 45W 727 RV20ST GY	4058075725096	66	08	160° x 58°	>70	-30...+50	>0.9	1.44 kg
SL AREA SM V 45W 730 RV20ST GY	4058075725119	66	08	160° x 58°	>70	-30...+50	>0.9	1.44 kg
SL AREA SM V 45W 740 RV20ST GY	4058075725133	66	08	160° x 58°	>70	-30...+50	>0.9	1.44 kg
SL AREA SM V 45W 765 RV20ST GY	4058075725157	66	08	160° x 58°	>70	-30...+50	>0.9	1.44 kg
SL AREA MD V 65W 727 RV20ST GY	4058075725171	66	08	160° x 58°	>70	-30...+50	>0.9	1.74 kg
SL AREA MD V 65W 730 RV20ST GY	4058075725195	66	08	160° x 58°	>70	-30...+50	>0.9	1.74 kg
SL AREA MD V 65W 740 RV20ST GY	4058075725218	66	08	160° x 58°	>70	-30...+50	>0.9	1.74 kg
SL AREA MD V 65W 765 RV20ST GY	4058075725232	66	08	160° x 58°	>70	-30...+50	>0.9	1.74 kg
SL AREA SPD SM V 30W 727 RV20ST GY	4058075725256	66	08	160° x 58°	>70	-30...+50	>0.9	1.45 kg
SL AREA SPD SM V 30W 730 RV20ST GY	4058075725270	66	08	160° x 58°	>70	-30...+50	>0.9	1.45 kg
SL AREA SPD SM V 30W 740 RV20ST GY	4058075725294	66	08	160° x 58°	>70	-30...+50	>0.9	1.45 kg
SL AREA SPD SM V 30W 765 RV20ST GY	4058075725317	66	08	160° x 58°	>70	-30...+50	>0.9	1.45 kg
SL AREA SPD SM V 45W 727 RV20ST GY	4058075725331	66	08	160° x 58°	>70	-30...+50	>0.9	1.49 kg
SL AREA SPD SM V 45W 730 RV20ST GY	4058075725355	66	08	160° x 58°	>70	-30...+50	>0.9	1.49 kg
SL AREA SPD SM V 45W 740 RV20ST GY	4058075725379	66	08	160° x 58°	>70	-30...+50	>0.9	1.49 kg
SL AREA SPD SM V 45W 765 RV20ST GY	4058075725393	66	08	160° x 58°	>70	-30...+50	>0.9	1.49 kg
SL AREA SPD MD V 65W 727 RV20ST GY	4058075725416	66	08	160° x 58°	>70	-30...+50	>0.9	1.79 kg
SL AREA SPD MD V 65W 730 RV20ST GY	4058075725430	66	08	160° x 58°	>70	-30...+50	>0.9	1.79 kg
SL AREA SPD MD V 65W 740 RV20ST GY	4058075725454	66	08	160° x 58°	>70	-30...+50	>0.9	1.79 kg
SL AREA SPD MD V 65W 765 RV20ST GY	4058075725478	66	08	160° x 58°	>70	-30...+50	>0.9	1.79 kg

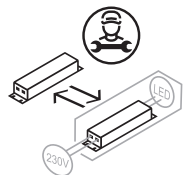
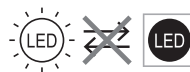








	Inrush current [A]	Th50 [µs]	B10	B16	B32	C10	C16	C32
SL AREA SM V 30W	8.9	100	51	82	165	55	88	177
SL AREA SM V 45W	8.6	100	37	60	120	40	64	129
SL AREA MD V 65W	8.4	100	23	37	75	25	40	81



C10449057  
G11131216

02.03.22



LEDVANCE GmbH  
Steinerne Furt 62  
86167 Augsburg, Germany  
[www.ledvance.com](http://www.ledvance.com)



## SL AREA / SL AREA SPD 30W-65W

					
	EAN	n		 QR code	<b>ENERGY</b> * X =
SL AREA SM V 30W 727 RV20ST GY	4058075725010	1	AC38971		E
SL AREA SPD SM V 30W 727 RV20ST GY	4058075725256				
SL AREA SM V 30W 730 RV20ST GY	4058075725034	1	AC38972		E
SL AREA SPD SM V 30W 730 RV20ST GY	4058075725270				
SL AREA SM V 30W 740 RV20ST GY	4058075725058	1	AC38973		D
SL AREA SPD SM V 30W 740 RV20ST GY	4058075725294				
SL AREA SM V 30W 765 RV20ST GY	4058075725072	1	AC38974		D
SL AREA SPD SM V 30W 765 RV20ST GY	4058075725317				
SL AREA SM V 45W 727 RV20ST GY	4058075725096	1	AC38975		E
SL AREA SPD SM V 45W 727 RV20ST GY	4058075725331				
SL AREA SM V 45W 730 RV20ST GY	4058075725119	1	AC38976		E
SL AREA SPD SM V 45W 730 RV20ST GY	4058075725355				
SL AREA SM V 45W 740 RV20ST GY	4058075725133	1	AC38977		D
SL AREA SPD SM V 45W 740 RV20ST GY	4058075725379				



	EAN	n			<b>ENERGY</b> * X =
SL AREA SM V 45W 765 RV20ST GY	4058075725157	1	AC38978		D
SL AREA SPD SM V 45W 765 RV20ST GY	4058075725393				
SL AREA MD V 65W 727 RV20ST GY	4058075725171	1	AC38979		D
SL AREA SPD MD V 65W 727 RV20ST GY	4058075725416				
SL AREA MD V 65W 730 RV20ST GY	4058075725195	1	AC38980		D
SL AREA SPD MD V 65W 730 RV20ST GY	4058075725430				
SL AREA MD V 65W 740 RV20ST GY	4058075725218	1	AC38981		D
SL AREA SPD MD V 65W 740 RV20ST GY	4058075725454				
SL AREA MD V 65W 765 RV20ST GY	4058075725232	1	AC38982		D
SL AREA SPD MD V 65W 765 RV20ST GY	4058075725478				

\*  
 Ⓓ Dieses Produkt enthält eine Lichtquelle der Energieeffizienzklasse <X>. Ⓔ This product contains a light source of energy efficiency class <X>. Ⓕ Ce produit contient une source lumineuse de classe d'efficacité énergétique <X>. Ⓖ Questo prodotto contiene una sorgente luminosa di classe di efficienza energetica <X>. Ⓗ Este producto contiene una fuente luminosa de la clase de eficiencia energética <X>. Ⓙ Este produto contém uma fonte de luz da classe de eficiência energética <X>. Ⓜ Το προϊόν αυτό περιέχει φωτεινή πηγή της τάξης ενεργειακής απόδοσης <X>. Ⓝ Dit product bevat een lichtbron van energie-efficiëntieklasse <X>. Ⓟ Denna produkt innehåller en ljuskälla med energieeffektivitetsklass <X>. Ⓡ Tämä tuote sisältää valonlähteen, jonka energiatehokkuusluokka on <X>. Ⓣ Dette produktet inneholder en lyskilde med energieffektivitetsklasse <X>. Ⓛ Dette produkt indeholder en lyskilde i energieffektivitetsklasse <X>. Ⓠ Tento výrobek obsahuje světelný zdroj s třídou energetické účinnosti <X>. Ⓢ Данный продукт содержит энергосберегающий источник света (класса <X>). Ⓤ Ez a termék egy <X> energiatékonysági osztályú fényforrást tartalmaz. Ⓚ Ten produkt zawiera źródło światła o klasie efektywności energetycznej <X>. Ⓦ Tento výrobek obsahuje svetelný zdroj triedy energetickej účinnosti <X>. Ⓡ Ta izdelek vsebuje svetlobni vir razreda energijske učinkovitost <X>. Ⓣ Bu ürün, enerji verimliliği sınıfında bir ışık kaynağı içerir <X>. Ⓛ Ovaj proizvod sadržava izvor svetlosti klase energetske učinkovitosti <X>. Ⓛ Acest produs conține o sursă de lumină cu clasa de eficiență energetică <X>. Ⓡ Този продукт включва светлинен източник с клас на енергийна ефективност <X>. Ⓛ Toode sisaldab energiatõhususe klassi <X> valgusallikat. Ⓛ Šiame gaminyje yra šviesos šaltinis, kurio energijos vartojimo efektyvumo klasė <X>. Ⓛ Ši s ražojums satur gaismas avotu, kura energoefektivitātes klase ir <X>. Ⓛ Ovaj proizvod sadrži izvor svetlosti klase energetske efikasnosti <X>. Ⓛ Цей виріб містить джерело світла класу енергоефективності <X>. Ⓛ Бул өнімде <X> энергия тиімділігі класының жарық көзі бар.



LEDVANCE GmbH  
 Steinerne Furt 62  
 86167 Augsburg, Germany  
[www.ledvance.com](http://www.ledvance.com)

LEDVANCE Ltd, Aquila House  
 Delta Crescent, Westbrook, Warrington  
 WA5 7NR, United Kingdom