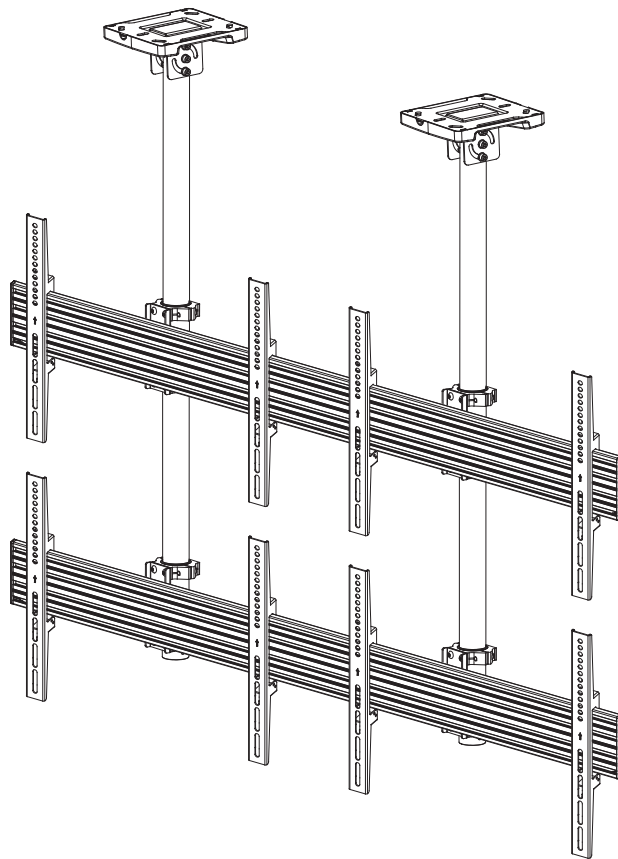


NEOMOUNTS PRO

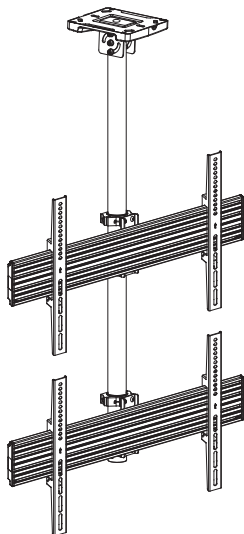
BY NEWSTAR



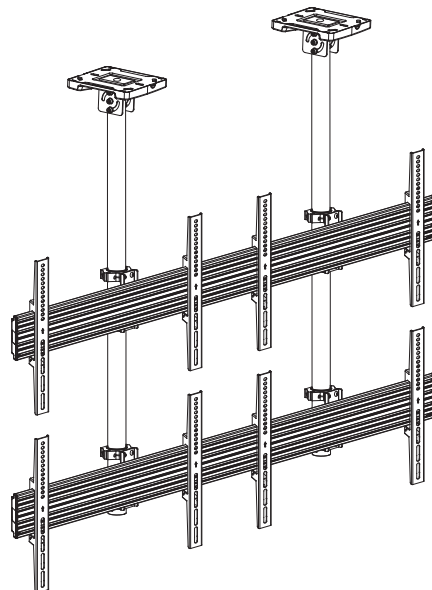
MULTIPLE CEILING MOUNT

This instruction is applicable to all the following models and related extended products

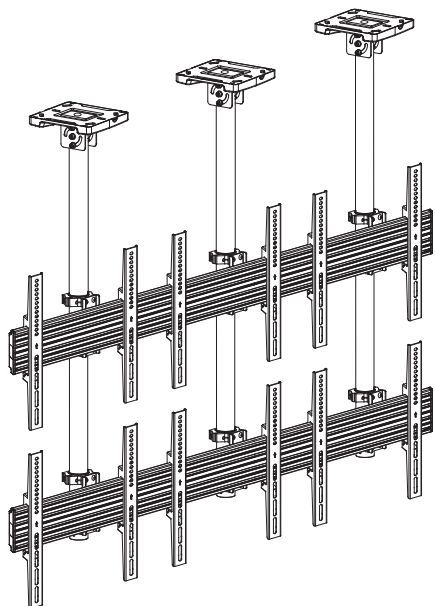
NMPRO-C12 (With fixed arms)



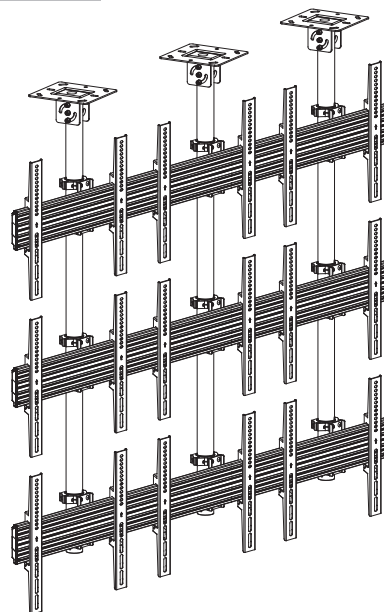
NMPRO-C22 (With fixed arms)



NMPRO-C32 (With fixed arms)













NMPRO-C33 (With fixed arms)









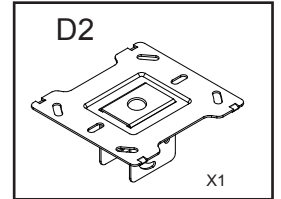
! WARNING

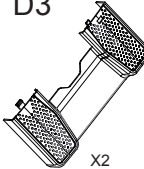
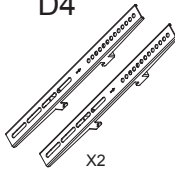
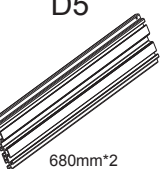
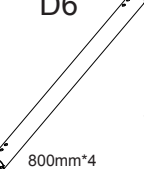
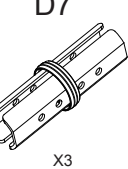
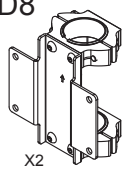
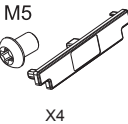
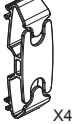

- Be sure to read this entire manual thoroughly and you fully understand all the instructions and warning before attempting to begin your installation.
- This products should only be installed by someone who has a basic knowledge of building constructio installations and fully undestnd these instrudtions.
- Always have someone assit you to lift and position your equipment.
- Tighten screws and bolts firmly, but do not over tighten. Over tightening can damage the item and greatly reduce their ability to hold.Please refer to suggested torque values where applicable in these instructions.

Parts list (NMPRO-C12)











A1	A2	A3	A4			B1	B2	B3	B4	B5	B6		
M5X15  X4	M6X15  X4	M8X15  X4	Ø6XØ6.2X1.5  X4	X2		Open-wrench  X1	5mm  X1	6mm  X1	M8X12  X8	Ø16XØ8.2X1.5  X8	 X8	X1	


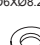




C1	C2	C3	C4	C5	C6		
M8x70  X3	Ø6XØ8.2X1.5  X12	M8x60  X1	M8  X4	Lag bolt  X6	Anchor  X6	X1	

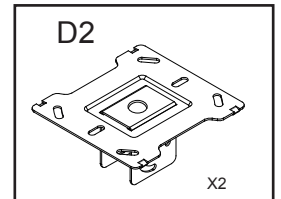


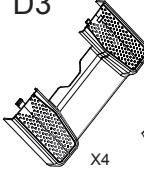
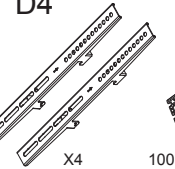
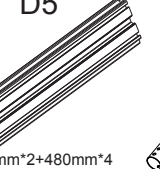
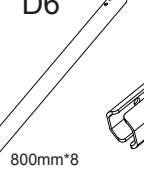
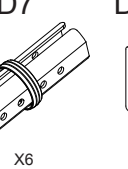
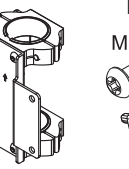
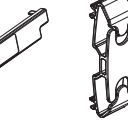

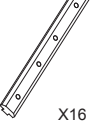

D3	D4	D5	D6	D7	D8	D9	D10	D11
 X2	 X2	 680mm*2	 800mm*4	 X3	 X2	 M5 X4	 X4	 X1

Parts list (NMPRO-C22)





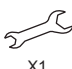





A1	A2	A3	A4			B1	B2	B3	B4	B5	B6		
M5X15  X4	M6X15  X4	M8X15  X4	Ø6XØ6.2X1.5  X4	X4		Open-wrench  X1	5mm 3mm  X1	6mm  X1	M8X12  X16	Ø16XØ8.2X1.5  X16	 X16	X1	







C1	C2	C3	C4	C5	C6		
M8x70  X3	Ø6XØ8.2X1.5  X12	M8x60  X1	M8  X4	Lag bolt  X6	Anchor  X6	X2	

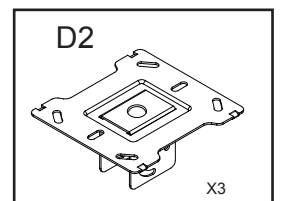


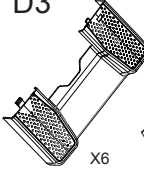
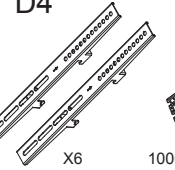
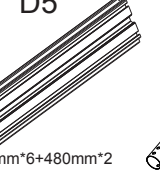
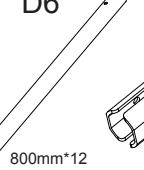
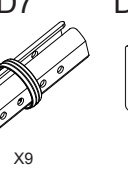
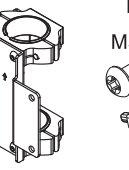
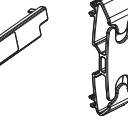

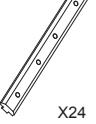

D3	D4	D5	D6	D7	D8	D9	D10	D11	D12
 X4	 X4	 1000mm*2+480mm*4	 800mm*8	 X6	 X4	 M5 X4	 X8	 X2	 X16

Parts list (NMPRO-C32)

A1	A2	A3	A4			B1	B2	B3	B4	B5	B6		
M5X15  X4	M6X15  X4	M8X15  X4	Ø6XØ6.2X1.5  X4	X6		Open-wrench  X1	5mm 3mm  X1	6mm  X1	M8X12  X24	Ø16XØ8.2X1.5  X24	 X24	X1	

C1	C2	C3	C4	C5	C6		
M8x70  X3	Ø6XØ8.2X1.5  X12	M8x60  X1	M8  X4	Lag bolt  X6	Anchor  X6	X3	



D3	D4	D5	D6	D7	D8	D9	D10	D11	D12
 X6	 X6	 1000mm*6+480mm*2	 800mm*12	 X9	 X6	 M5 X4	 X12	 X3	 X24

Parts list (NMPRO-C33)

A1	A2	A3	A4
M5x15	M6X15	M8X15	Ø6XØ6.2X1.5
X4	X4	X4	X4

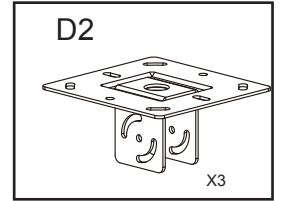
X9

B1	B2	B3	B4	B5	B6
Open-wrench	5mm 3mm	6mm	M8X12	Ø16XØ8.2X1.5	
X1	X1	X1	X38	X38	X38

X1

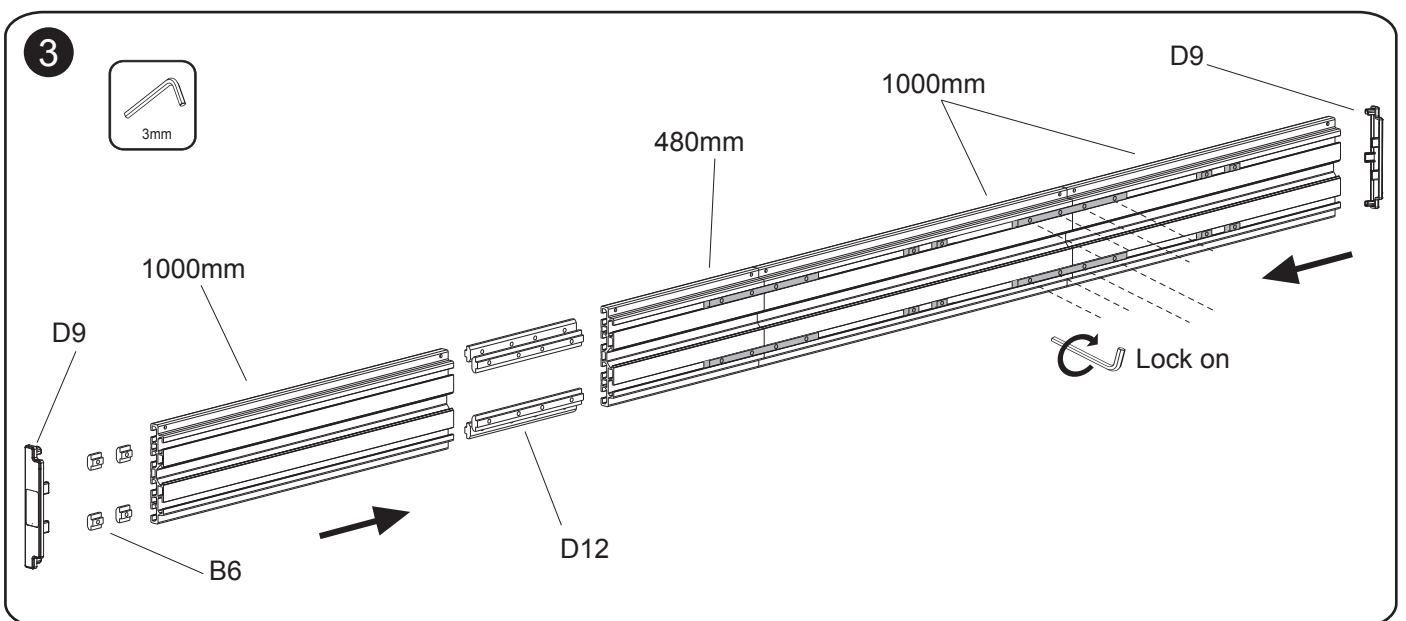
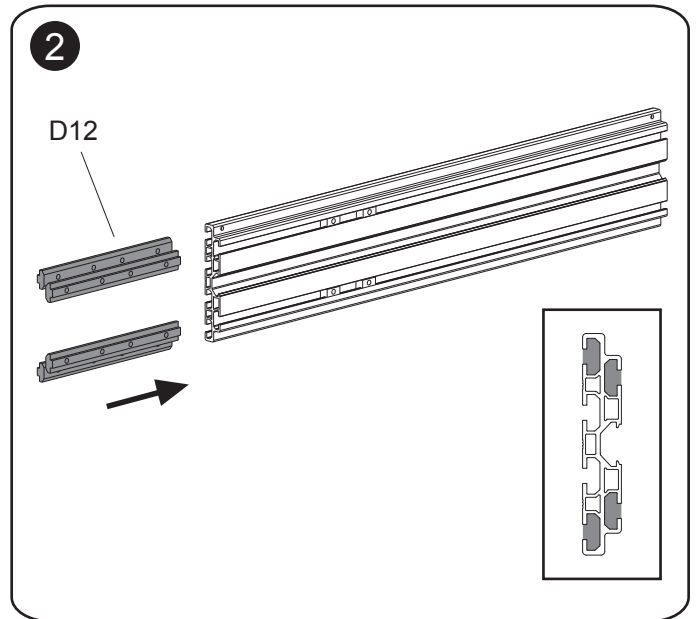
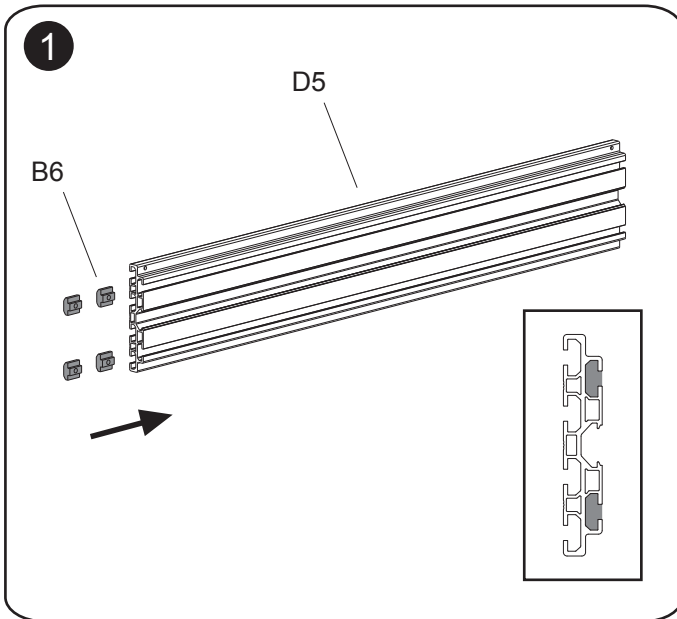
C1	C2	C3	C4	C5	C6
M8x70	Ø6xØ8.2X1.5	M8x60	M8	Lag bolt	Anchor
X3	X12	X1	X4	X6	X6

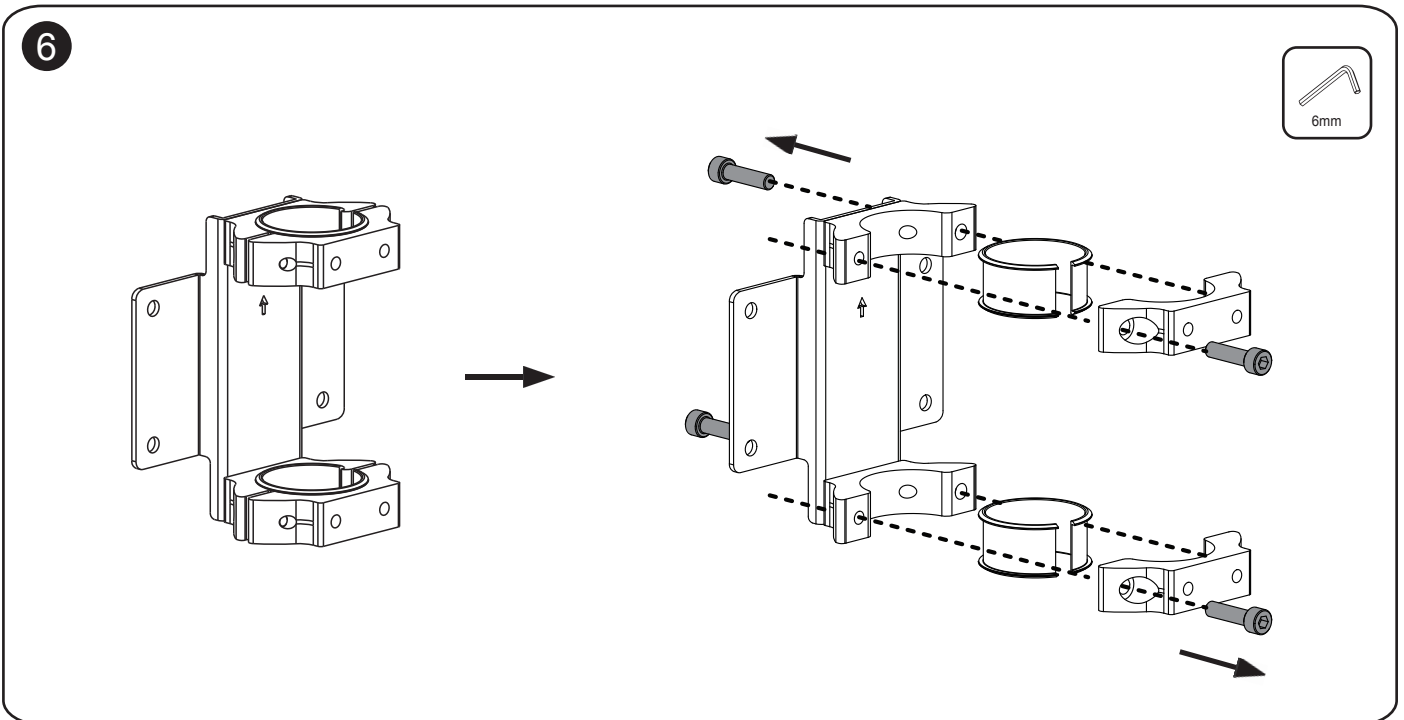
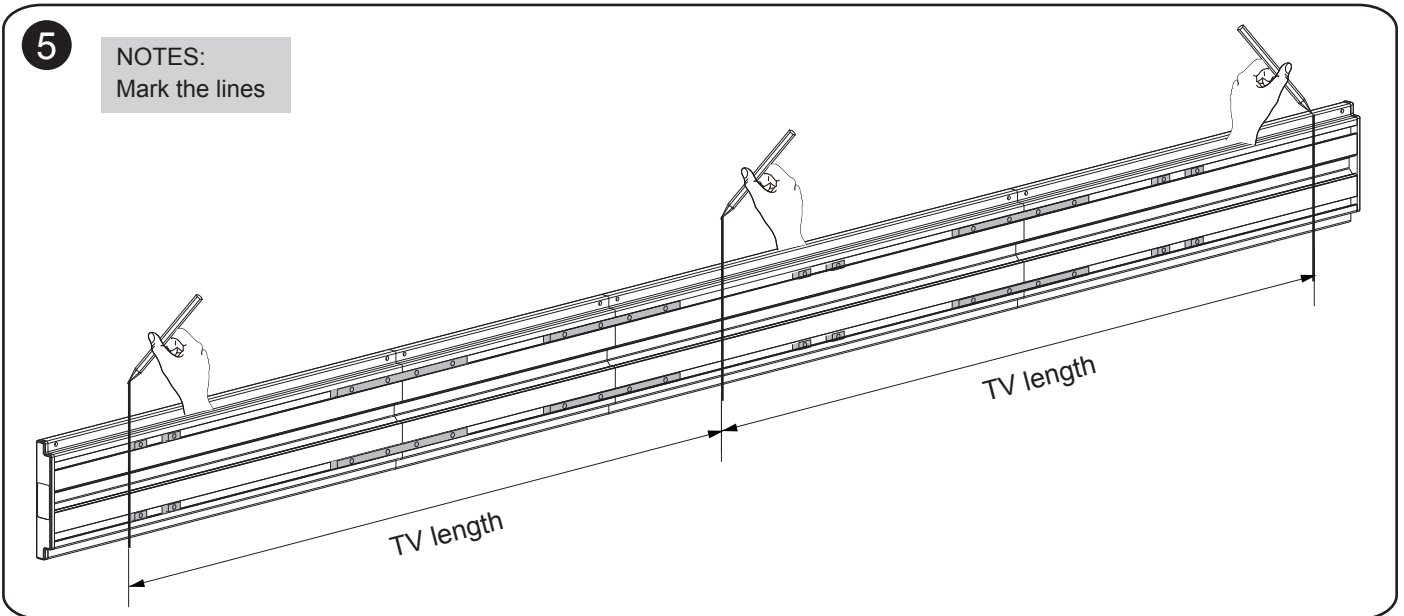
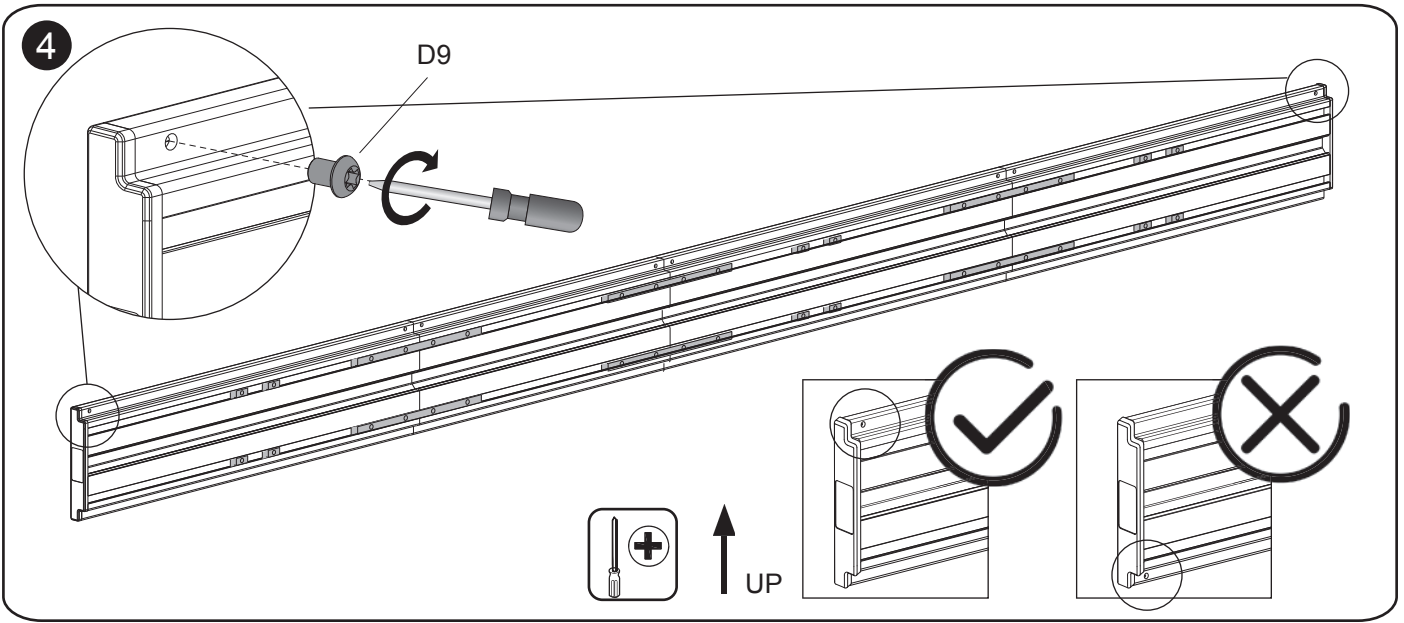
X3



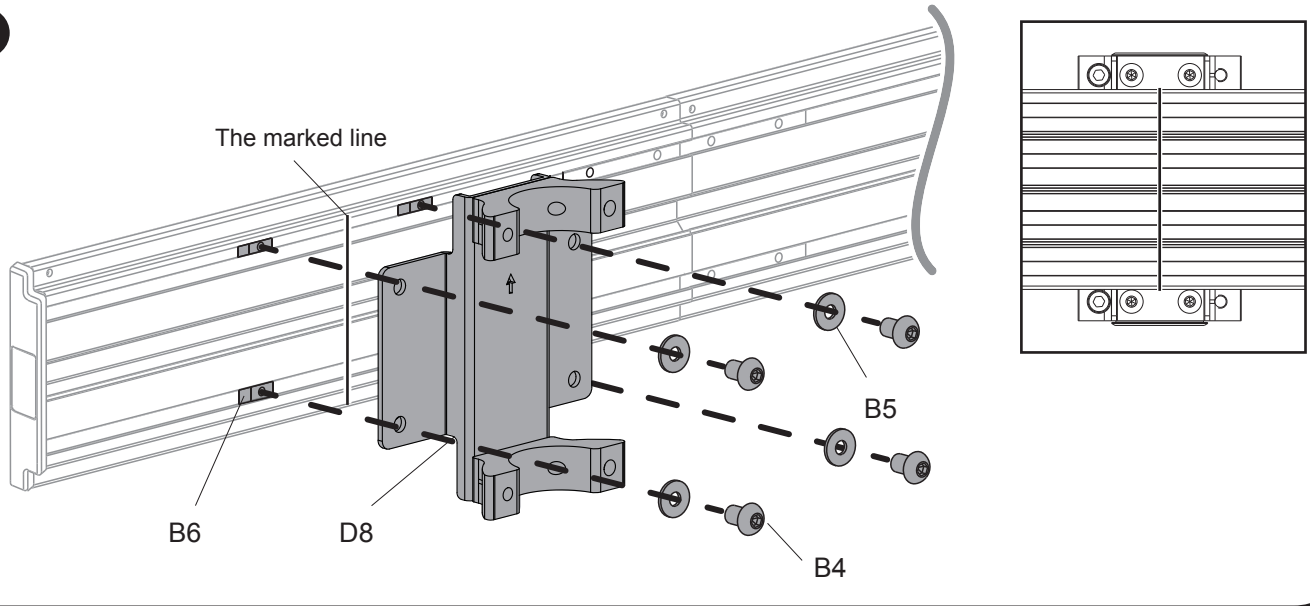
D4	D5	D6	D7	D8	D9	D10	D11	D12
X9	1000mm*9+480mm*3	800mm*12	X9	X9	X6	X18	X3	X36

Installation





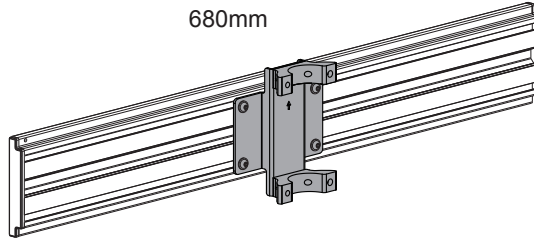
7



8

NMPRO-C12

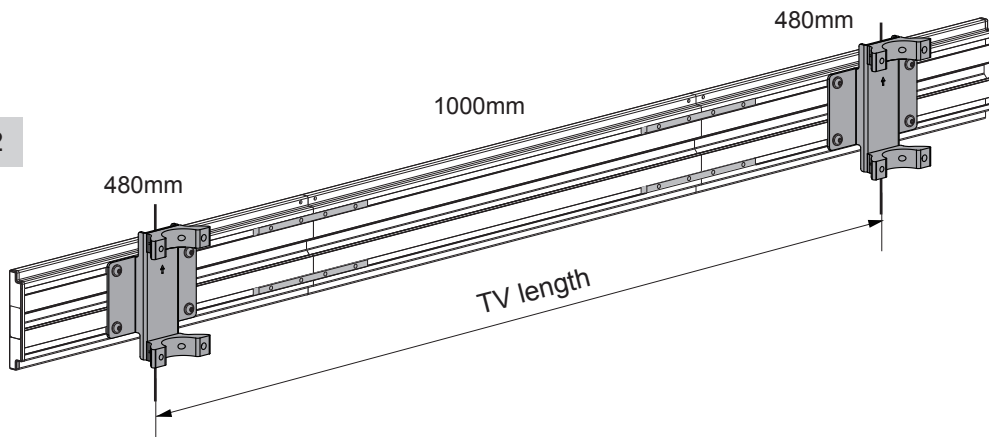
680mm



NMPRO-C22

1000mm

480mm



NMPRO-C32

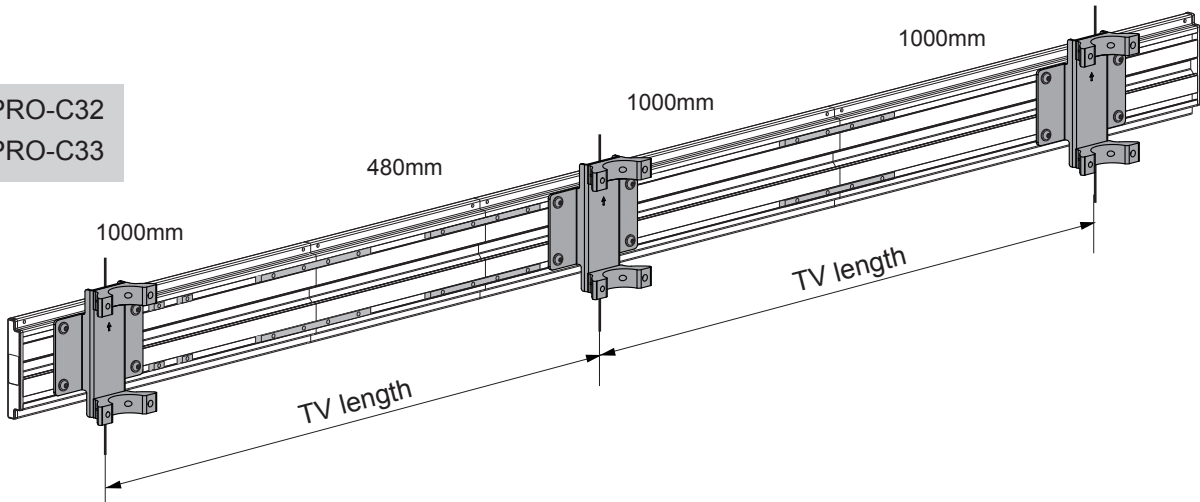
NMPRO-C33

1000mm

1000mm

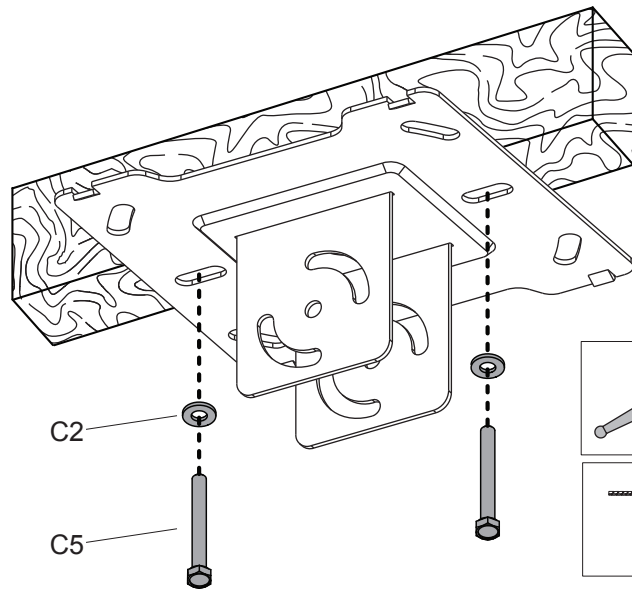
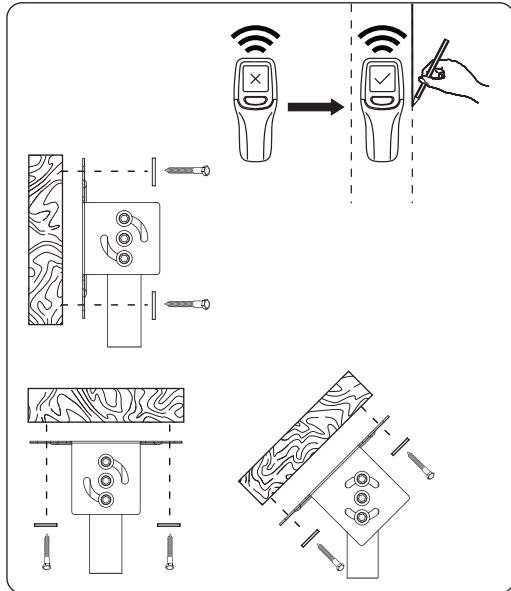
480mm

1000mm

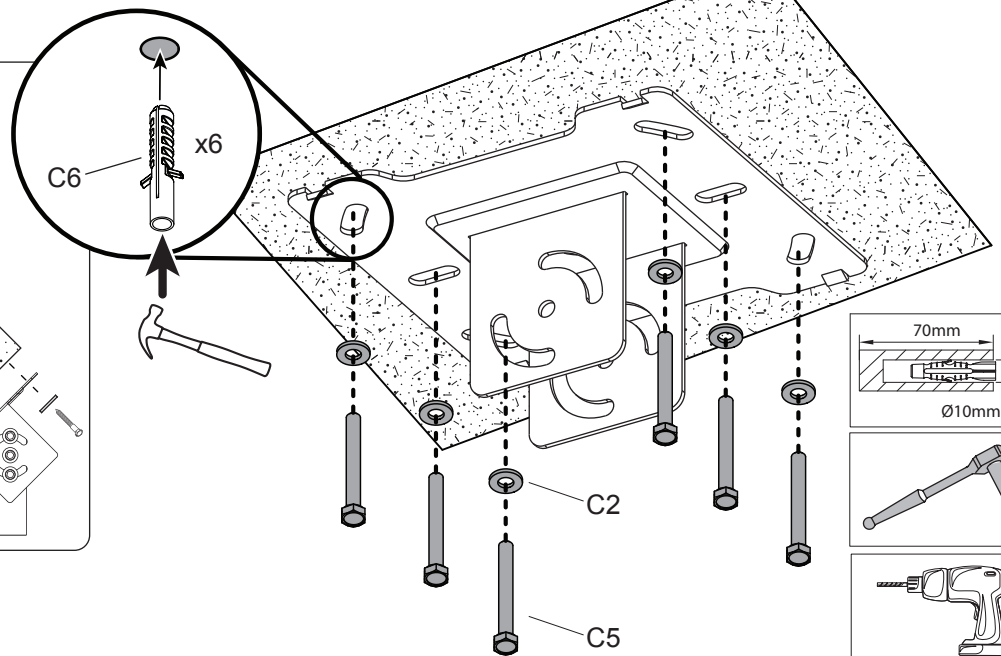
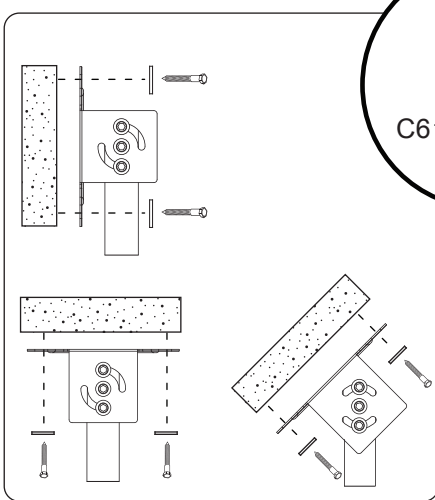


9

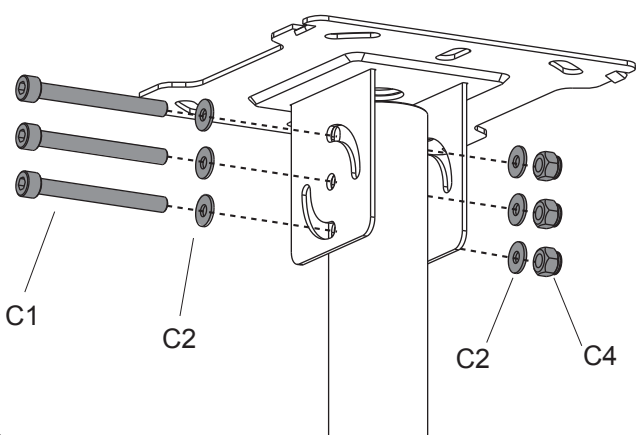
WOOD



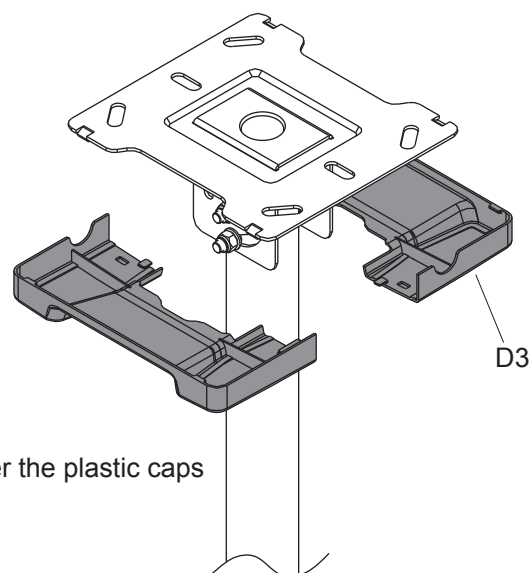
BRICK OR CONCRETE

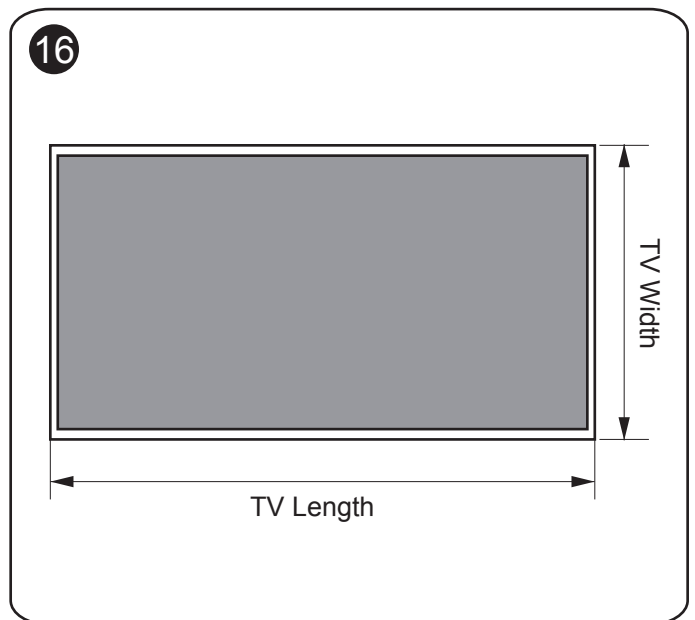
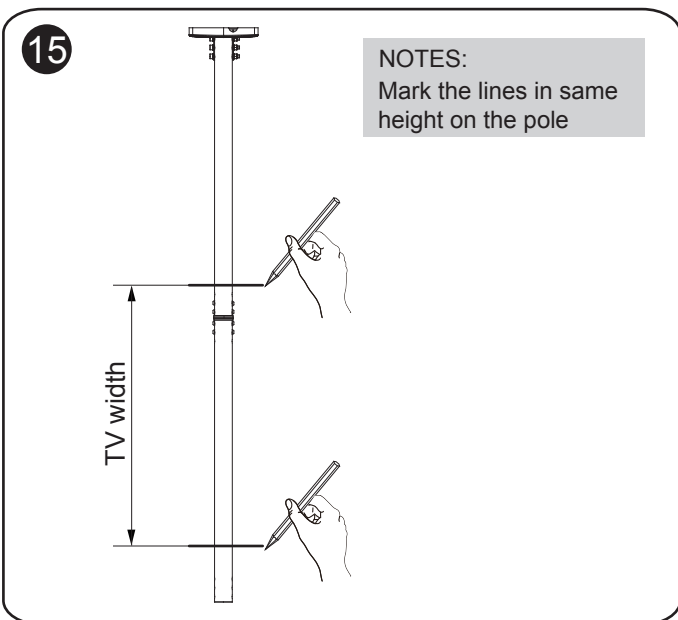
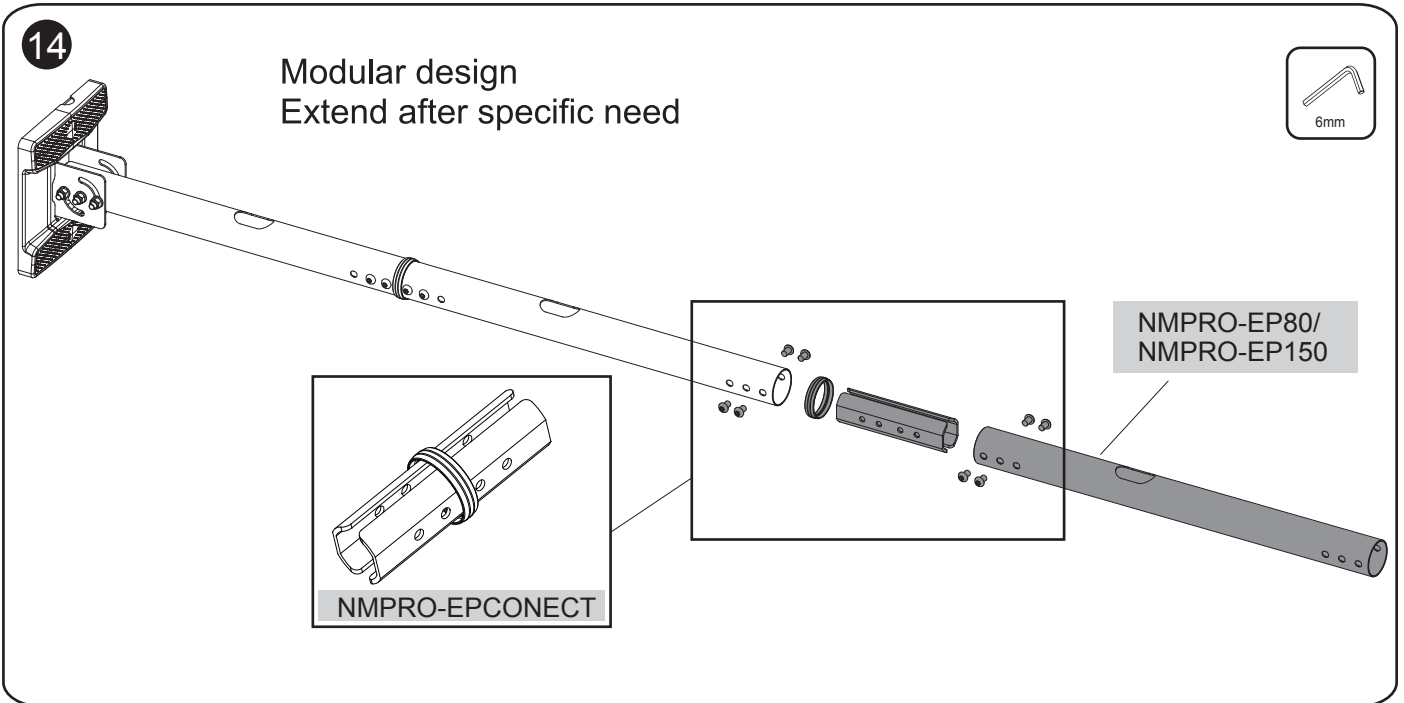
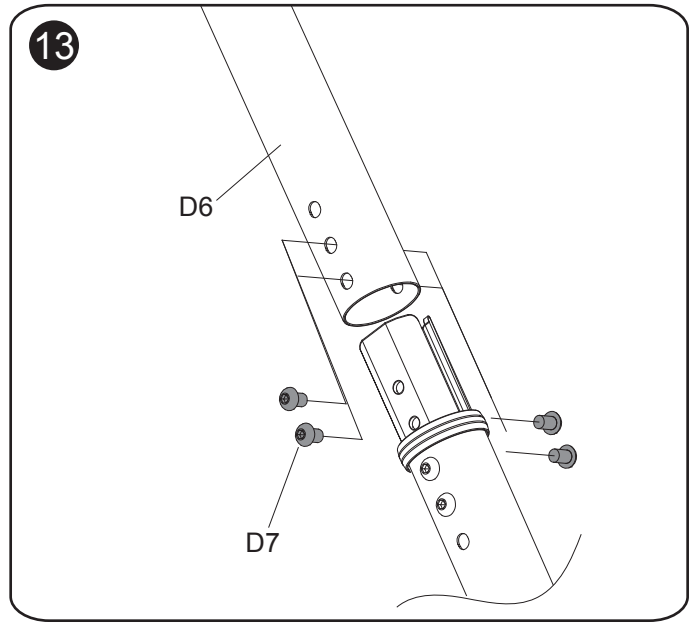
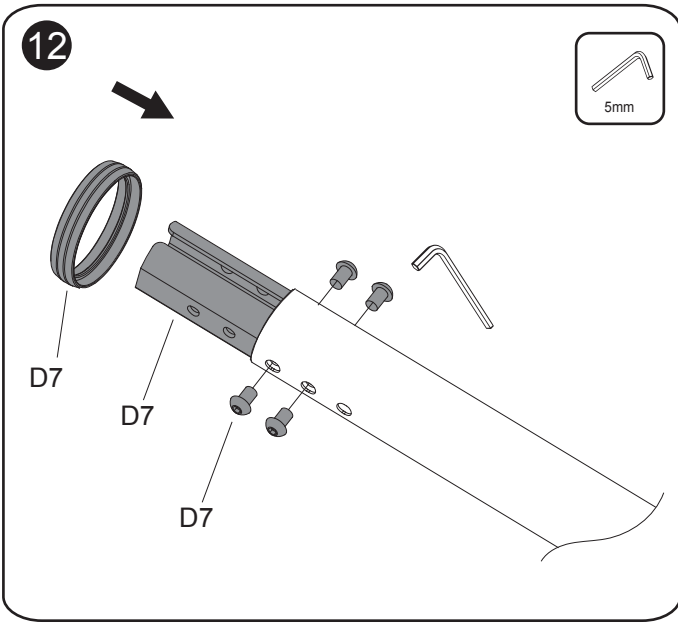


10

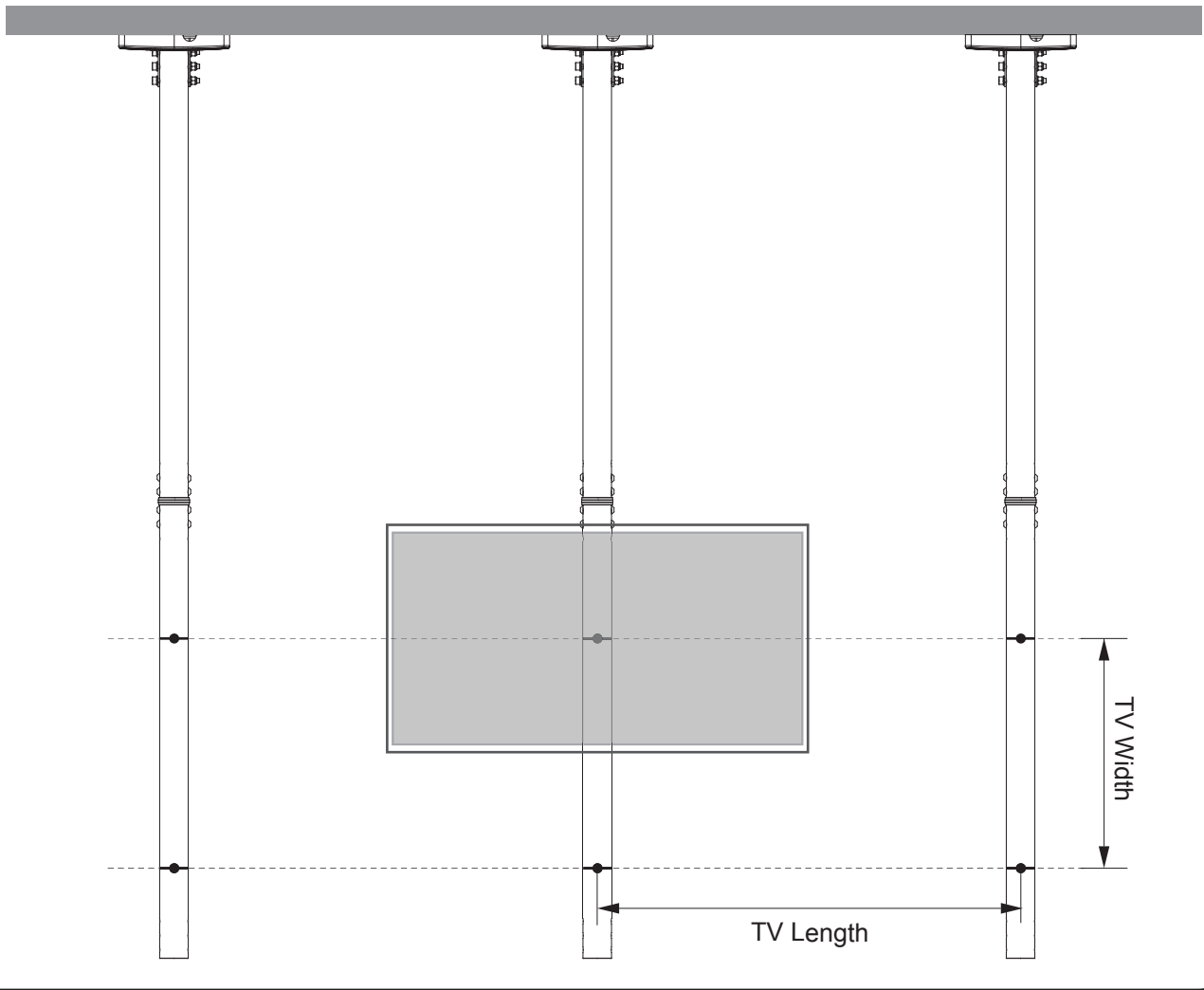


11

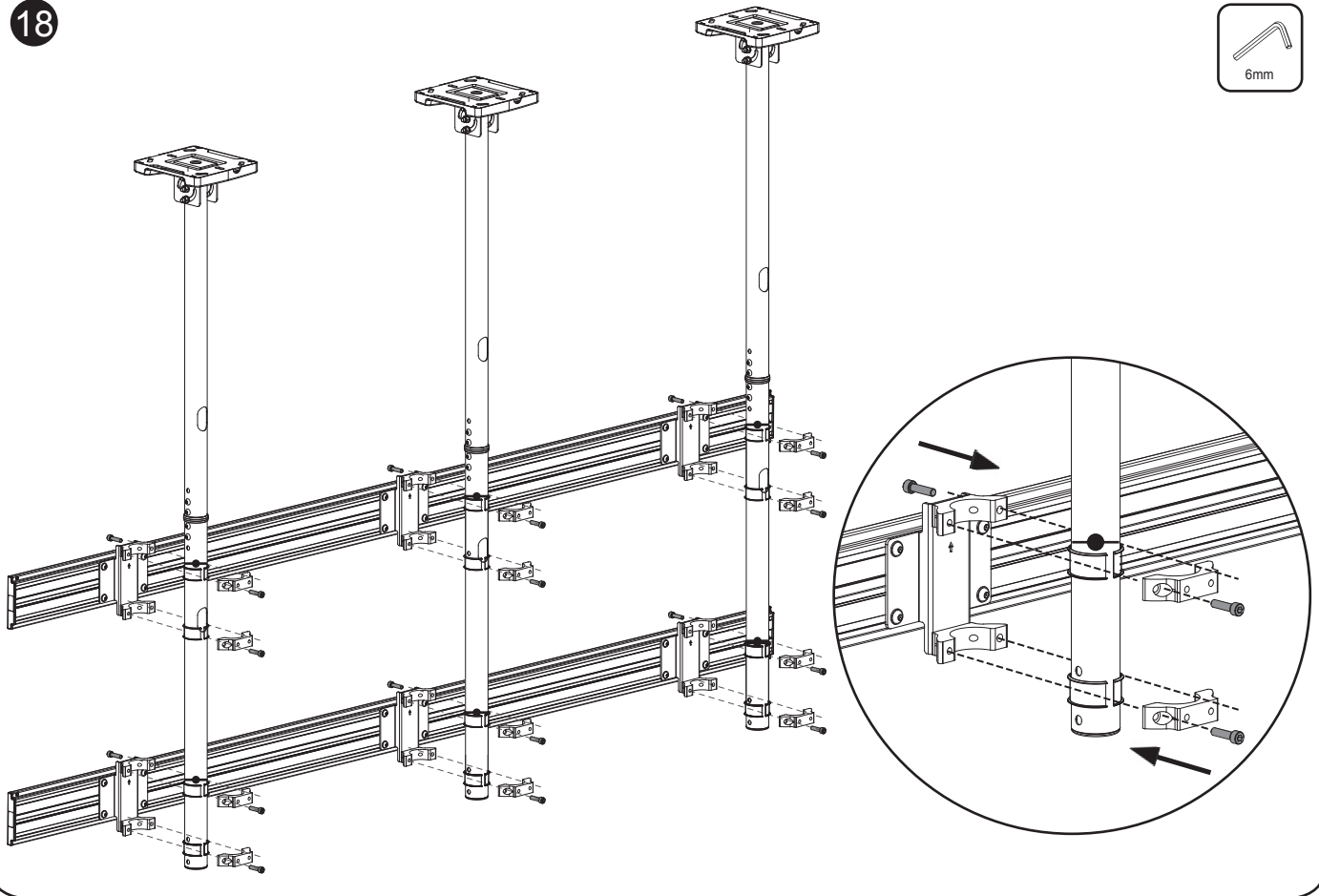




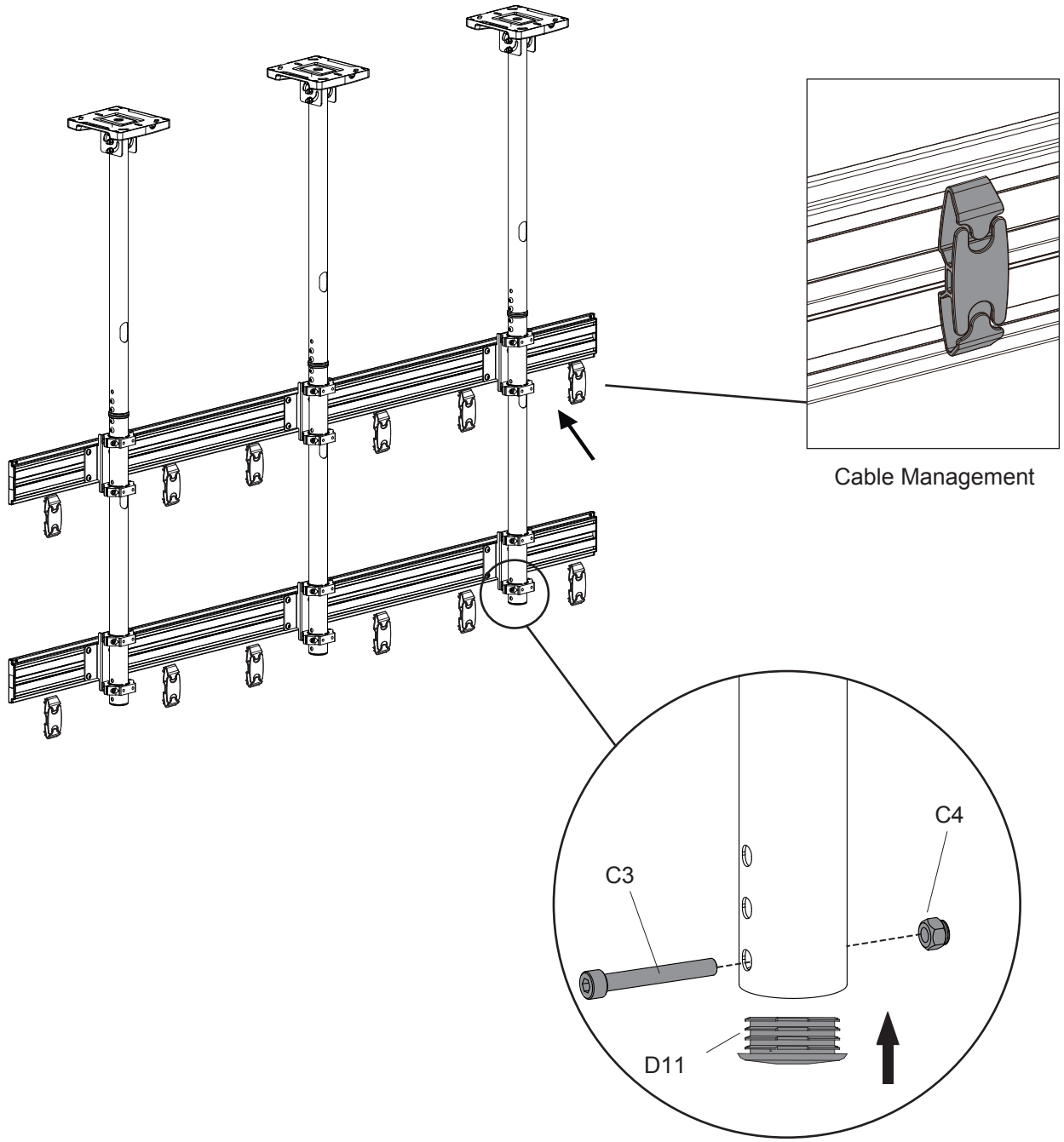
17



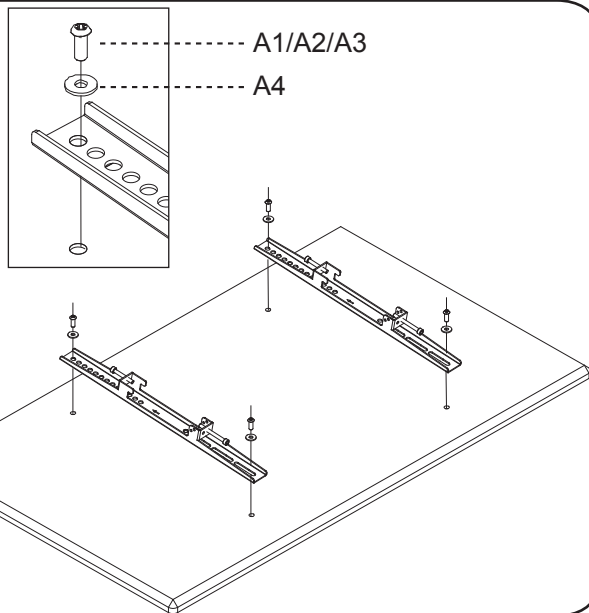
18



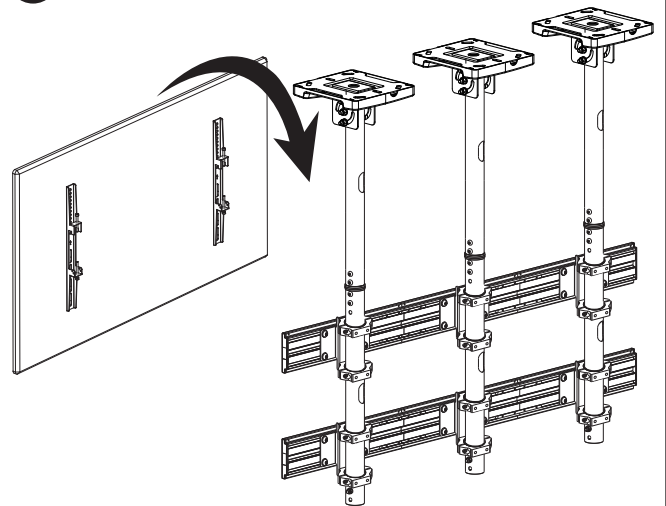
18

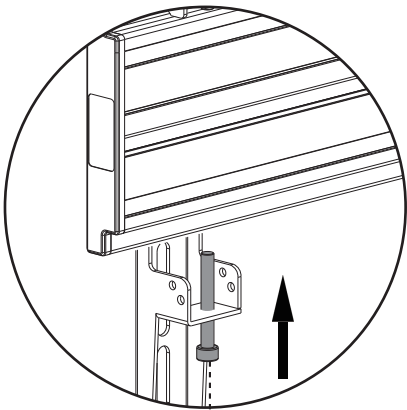
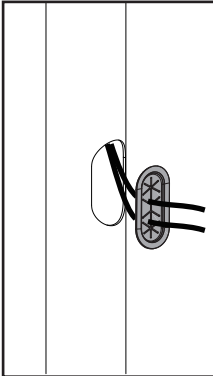
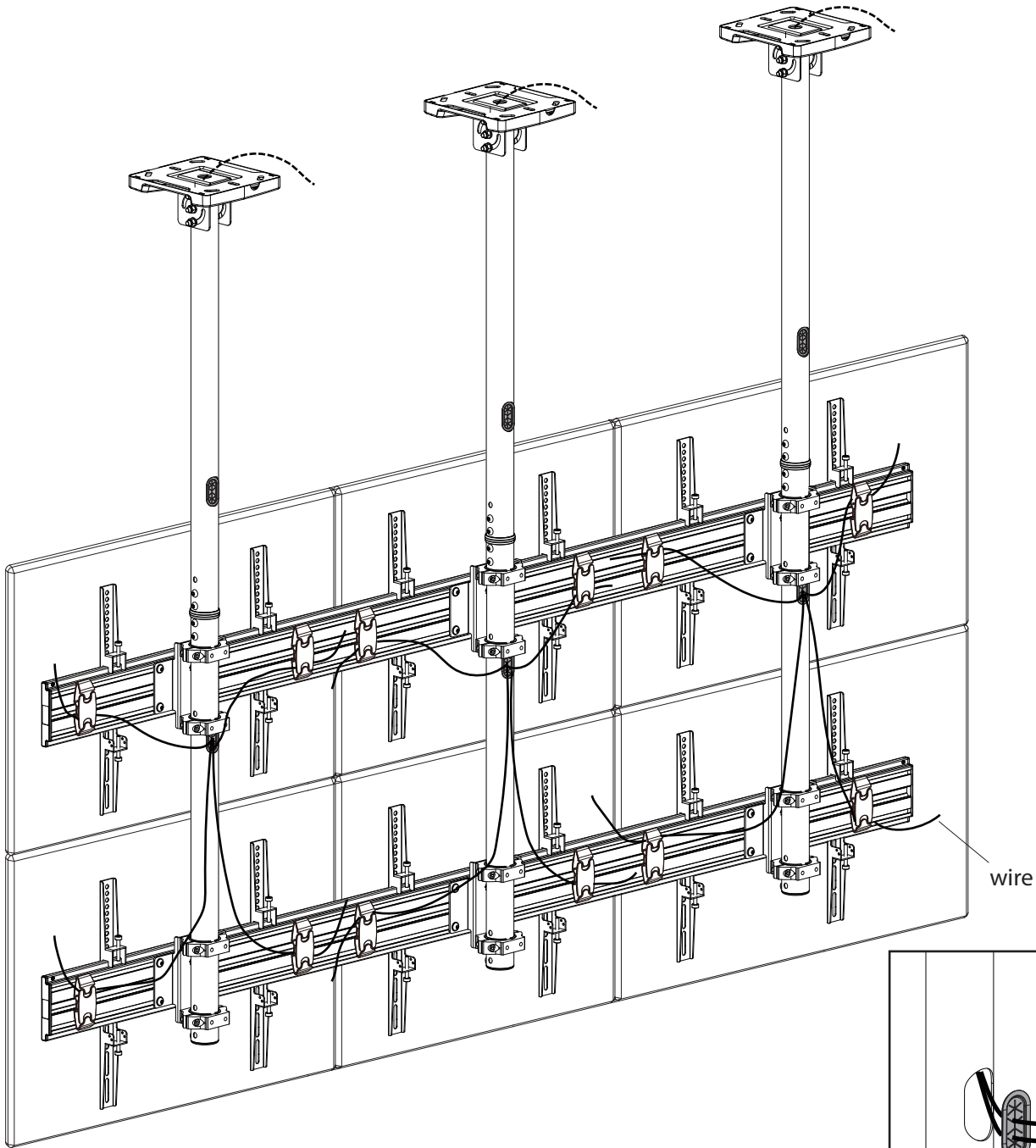


19

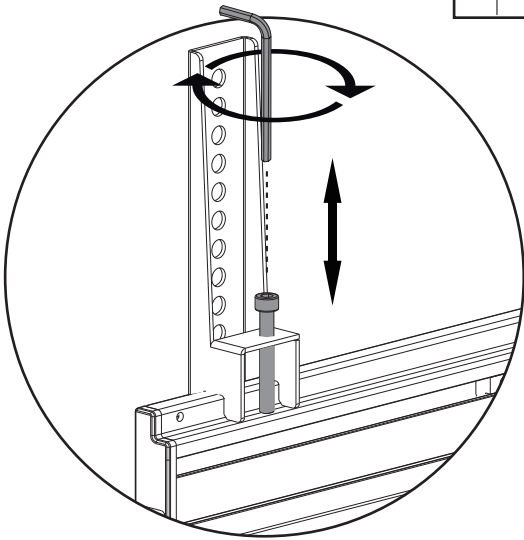


20





Allen Key



Height adjustment 10mm