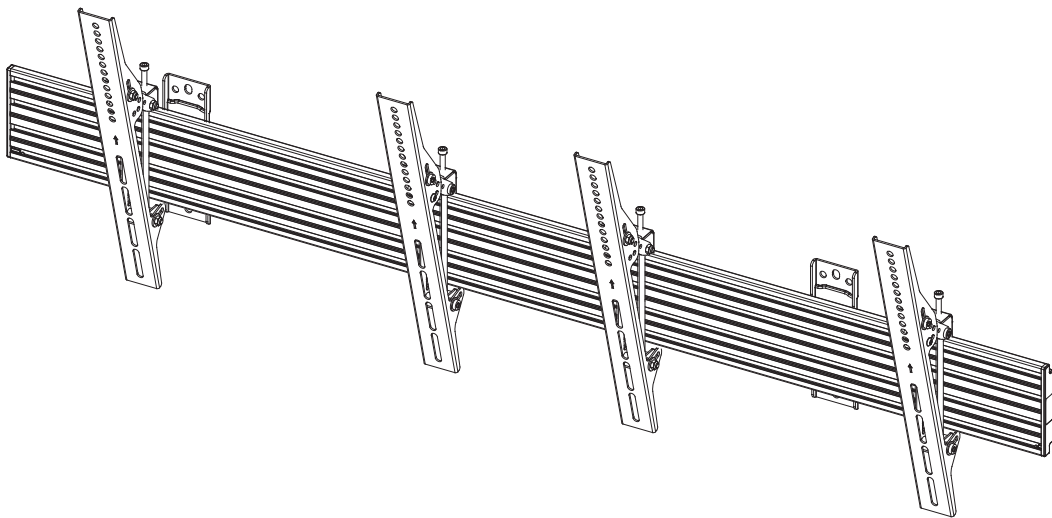


# NEOMOUNTS PRO

## BY NEWSTAR

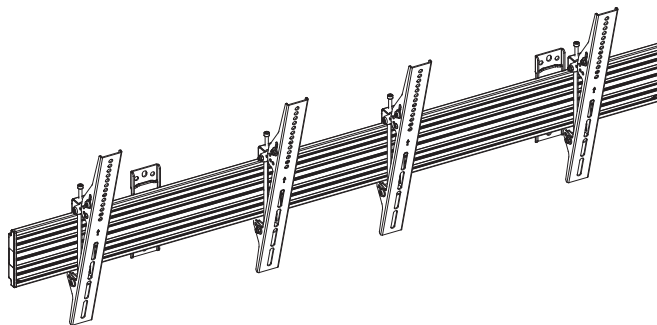


**MENU BOARD WALL MOUNT**

**This instruction is applicable to all the following models and related extended products**

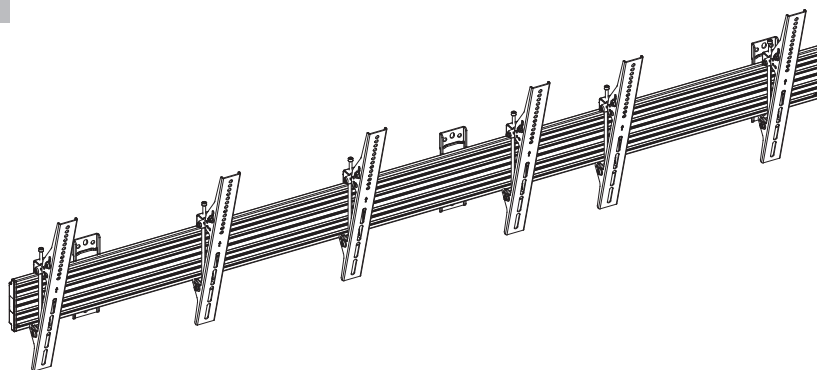
**NMPRO-WMB2**

Tilt arms



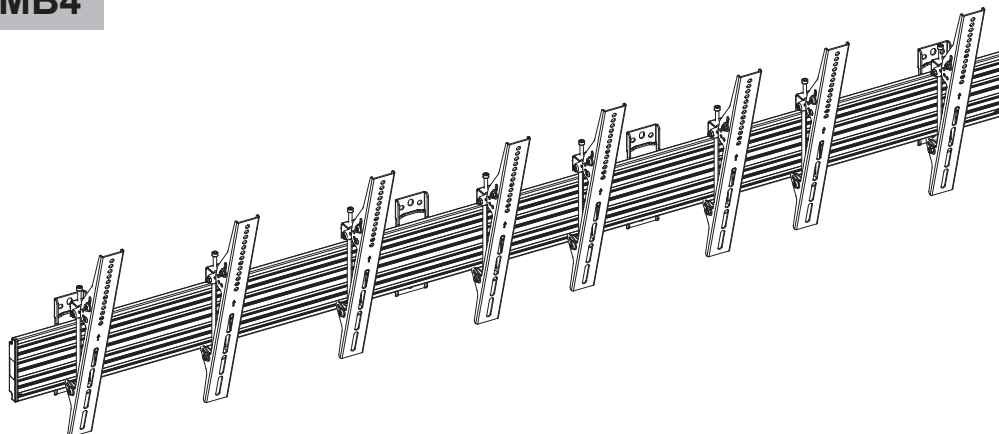
**NMPRO-WMB3**

Tilt arms



**NMPRO-WMB4**











Tilt arms



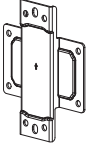
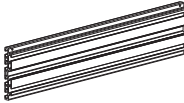
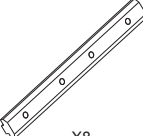
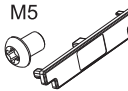
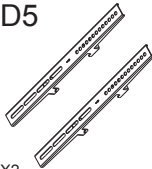
**! WARNING**

- Be sure to read this entire manual thoroughly and you fully understand all the instructions and warning before attempting to begin your installation.
- This products should only be installed by someone who has a basic knowledge of building constructio installations and fully undestnd these instrudtions.
- Always have someone assit you to lift and position your equipment.
- Tighten screws and bolts firmly, but do not over tighten. Over tightening can damage the item and greatly reduce their ability to hold.Please refer to suggested torque values where applicable in these instructions.











## Parts list (NMPRO-WMB2)

A1	A2	A3	A4			B1	B2	B3	B4	B5			B6
M5X15  X4	M6X15  X4	M8X15  X4	Ø6XØ6.2X1.5  X4	X2		M8X12  X4	Ø6XØ8.2X1.5  X6	M8  X4	Lag bolt  X2	Lag bolt  X2	X2		3mm 5mm  X1

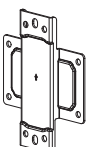

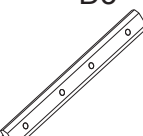

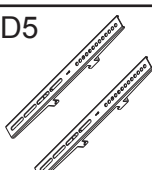
  

D1	D2	D3	D4	D5
 X2	 1000mm*1+480mm*2	 X8	 X2	 X2











## Parts list (NMPRO-WMB3)

A1	A2	A3	A4			B1	B2	B3	B4	B5			B6
M5X15  X4	M6X15  X4	M8X15  X4	Ø6XØ6.2X1.5  X4	X3		M8X12  X4	Ø6XØ8.2X1.5  X6	M8  X4	Lag bolt  X2	Lag bolt  X2	X3		3mm 5mm  X1

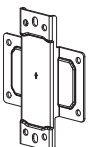

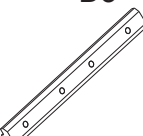
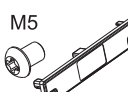
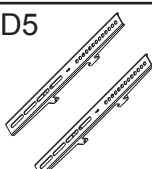
  

D1	D2	D3	D4	D5
 X3	 1000mm*3+480mm*1	 X12	 X2	 X3

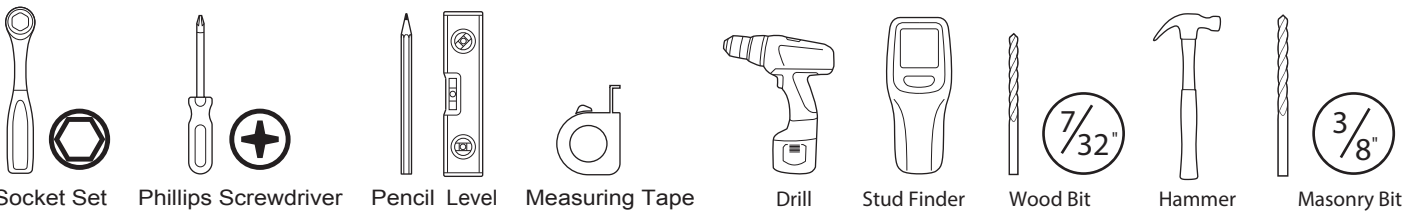
## Parts list (NMPRO-WMB4)

A1	A2	A3	A4			B1	B2	B3	B4	B5			B6
M5X15  X4	M6X15  X4	M8X15  X4	Ø6XØ6.2X1.5  X4	X4		M8X12  X4	Ø6XØ8.2X1.5  X6	M8  X4	Lag bolt  X2	Lag bolt  X2	X4		3mm 5mm  X1

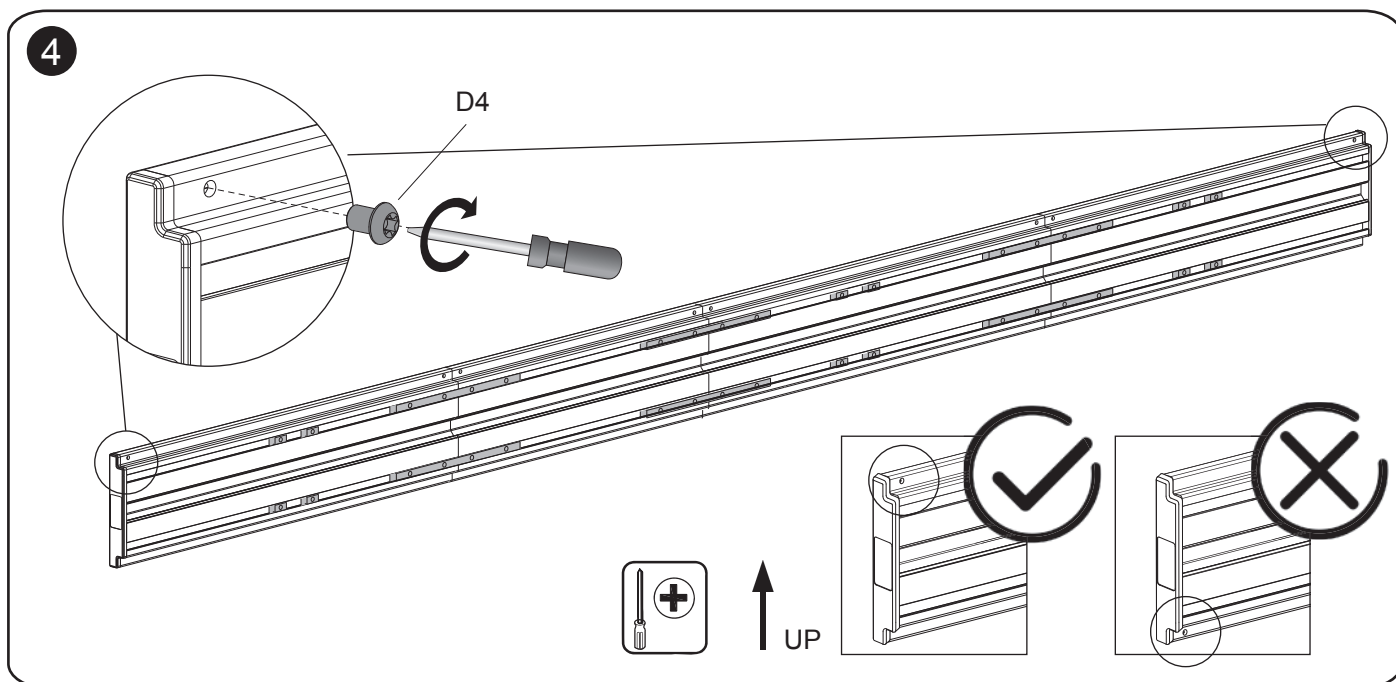
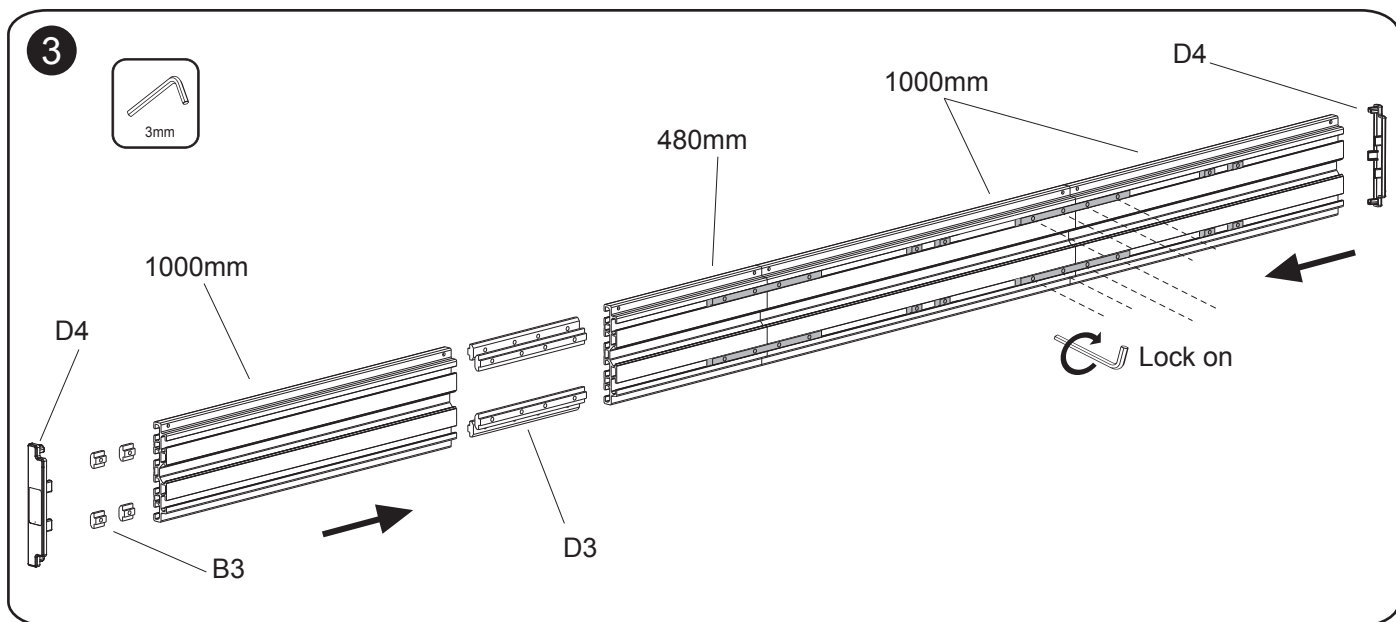
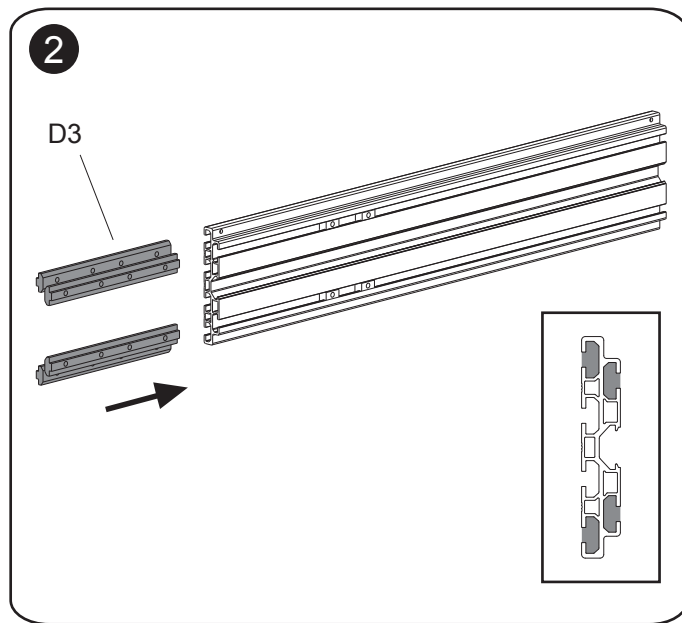
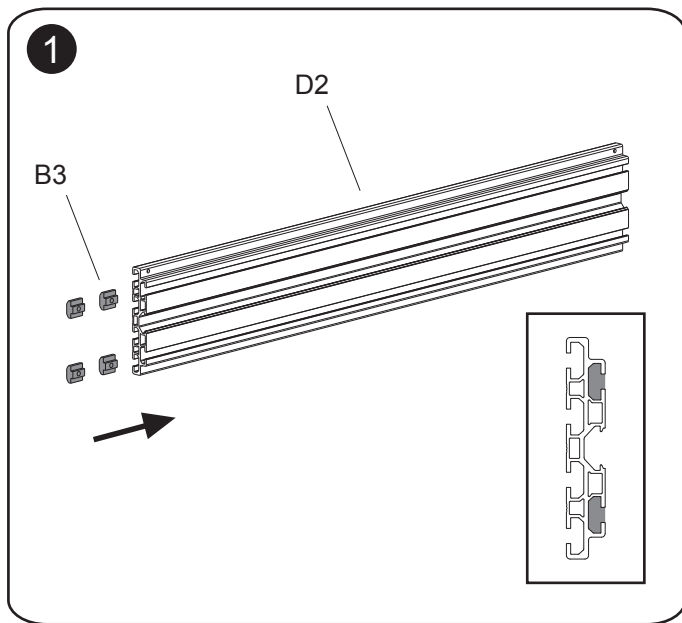
  

D1	D2	D3	D4	D5
 X4	 1000mm*4+480mm*1	 X16	 X2	 X4

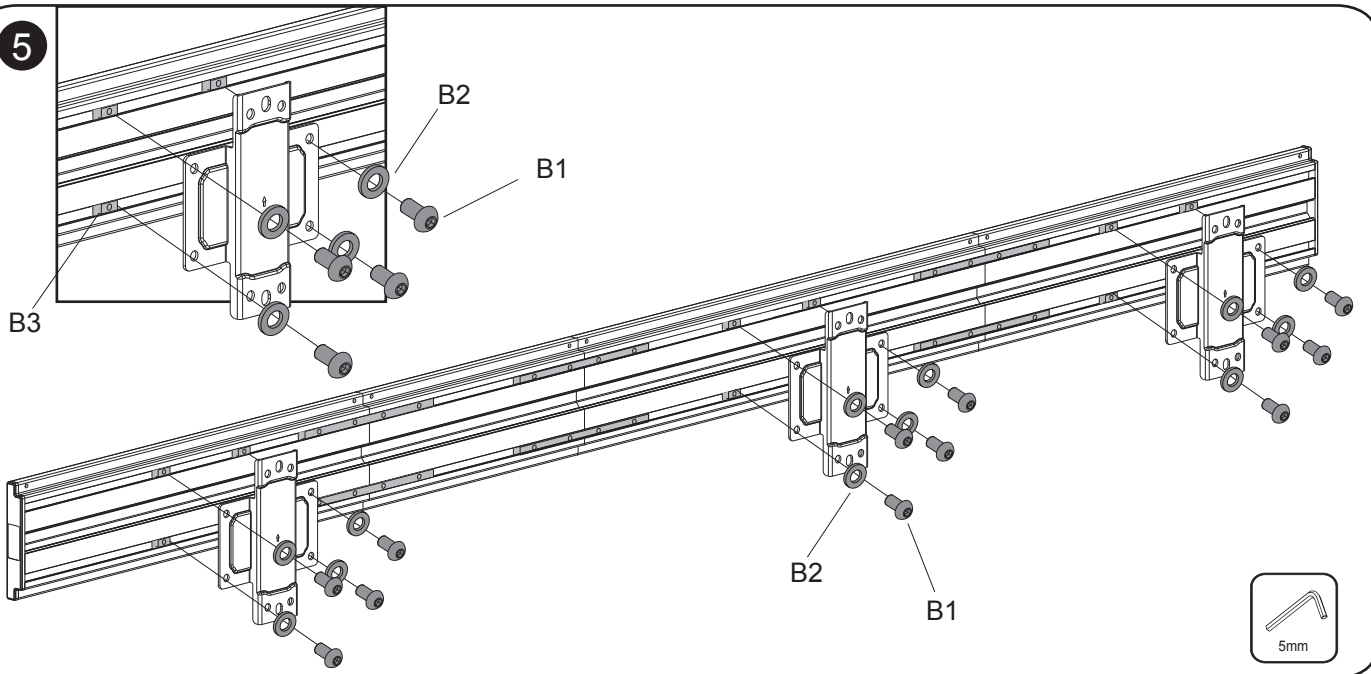
## Required Tools



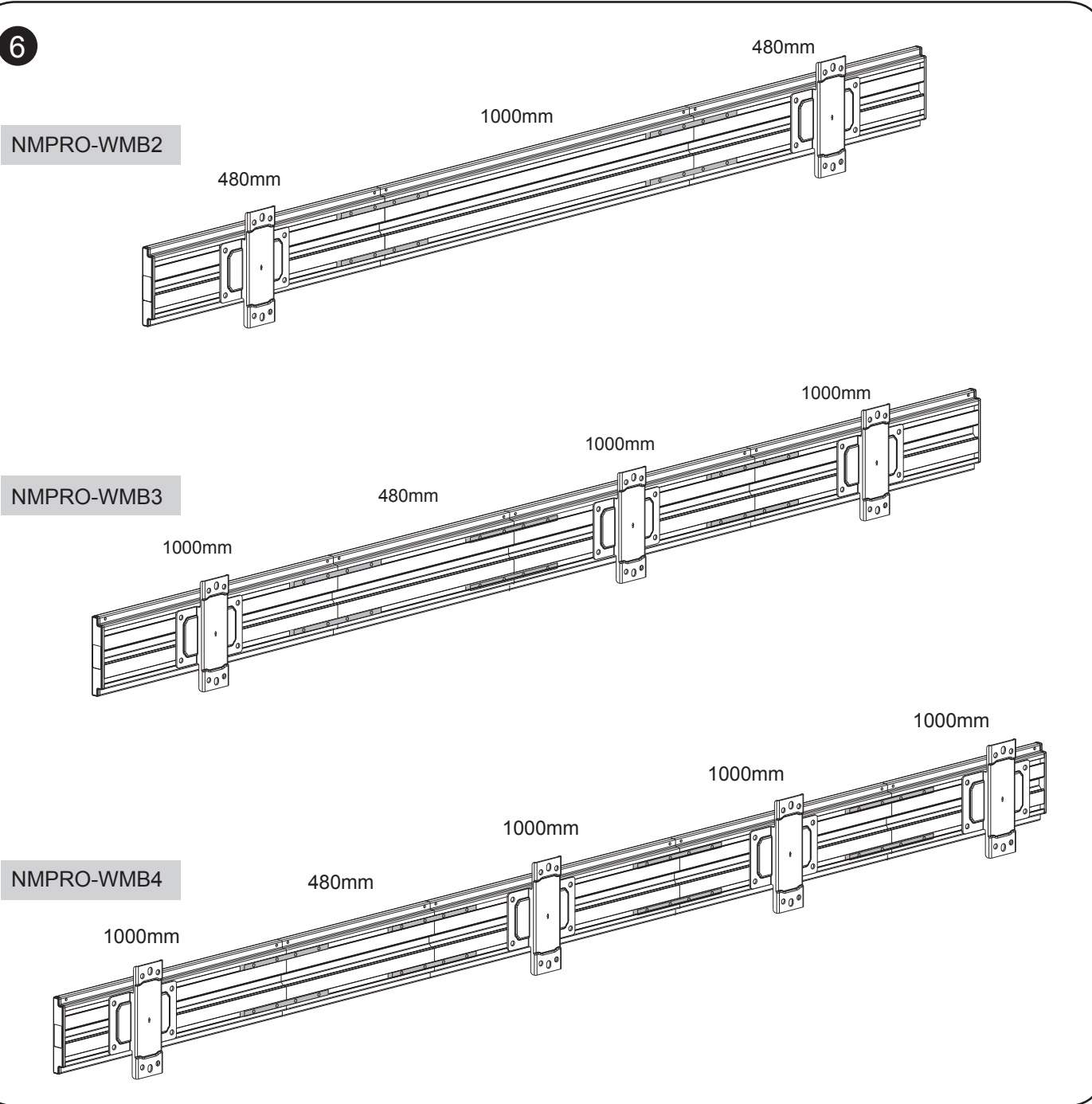
# Installation



5

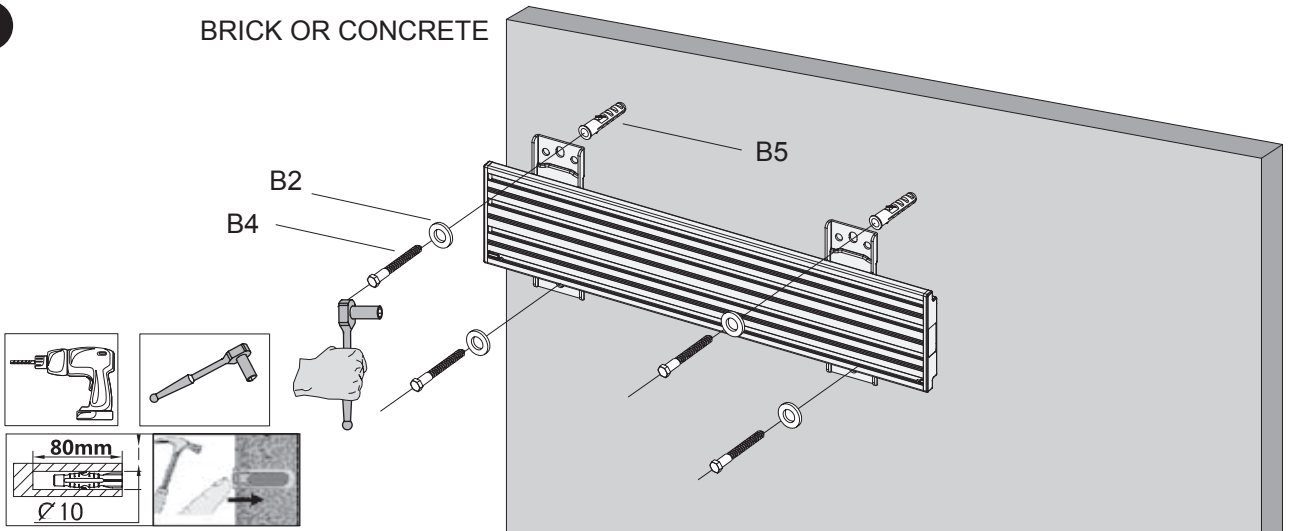


6

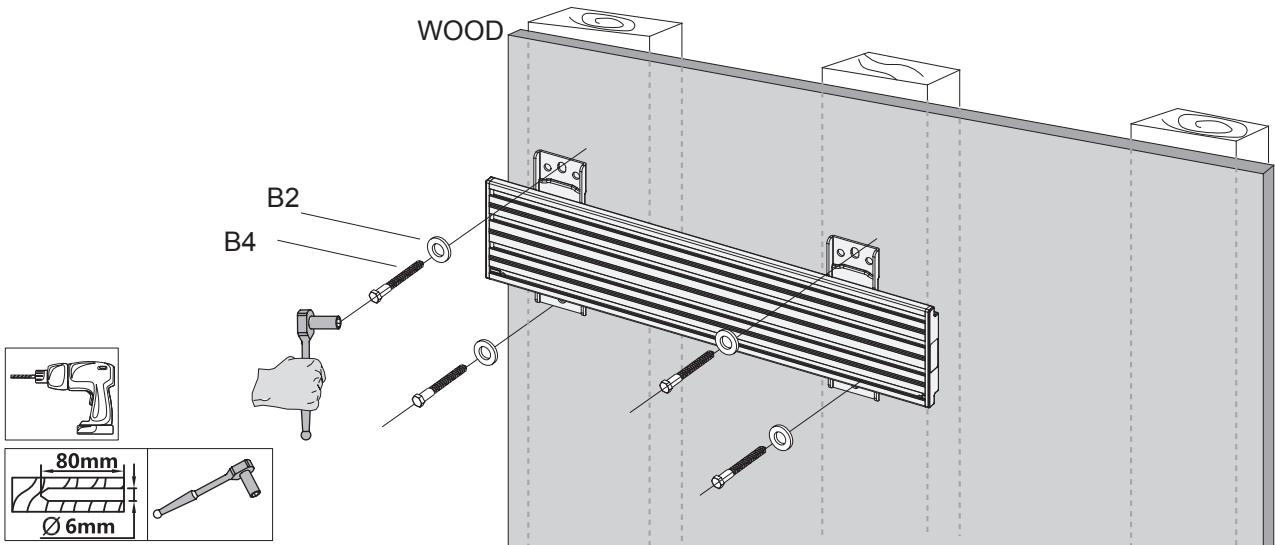


7

BRICK OR CONCRETE



WOOD

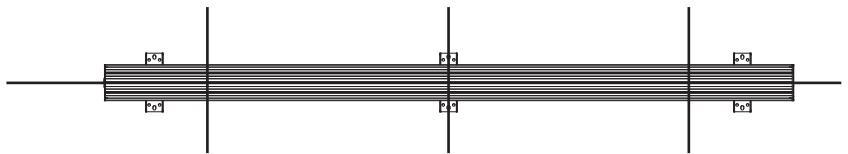


8

### Installing the Mounting Brackets

After you have mounted the first bracket as described, draw a horizontal line (the use of a laser leveller may help).

Alignment line



Alignment line



You can place the second bracket by tape measure proceed in this way with the other brackets.

