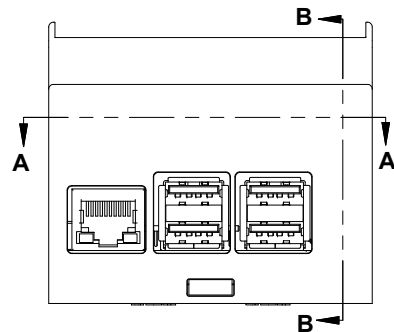
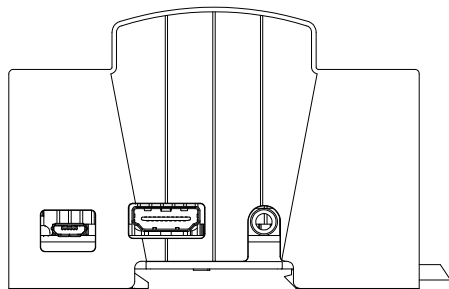
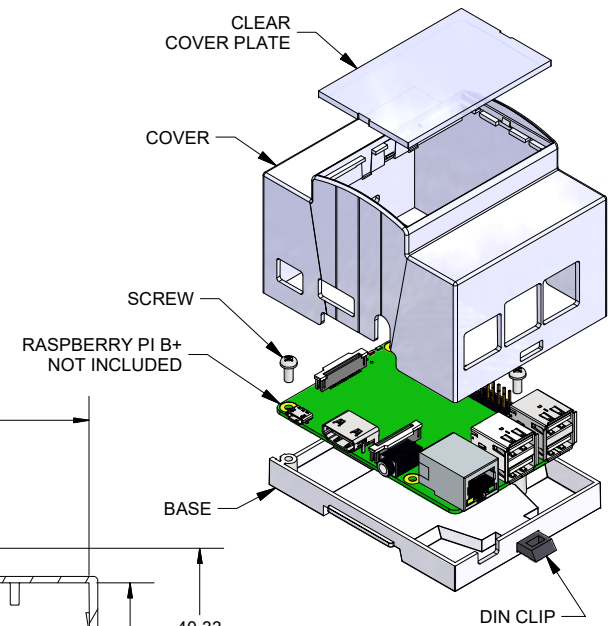
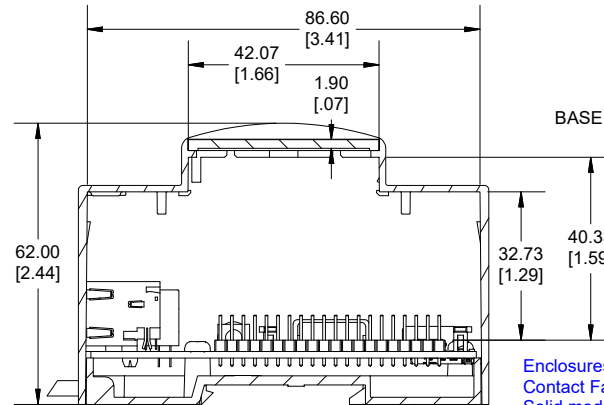


SECTION A-A



SECTION B-B



Enclosures can be Factory Modified (Milling, Drilling, Printing etc.)
 Contact Factory (modshop@hammfg.com) for quotes
 Solid models of this enclosure available in .stp or .x_t
 (Part number and text placement/orientation on our products are subject to change,
 we do not recommend using them as a locating reference for modification purposes)

NOTE

Purchased enclosure includes base, cover, cover plate, screws and din clip.
 Enclosure is made from PC ABS, din clip made from PPO.

Enclosure made to use with the Raspberry Pi B+ development board

Recommended PCB screw torque -- 28.0-35.5 ozf-in (20-25 cN-m)

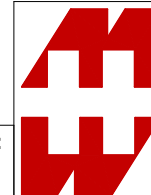
PART NUMBERS

1597KIT

Development board enclosure grey	1597KIT4MPI
----------------------------------	-------------

ACCESSORIES

P.C. Board Self Tapping Screw	1593ATS50 (Pkg 50)
[#4 X 1/4" (6.4mm) Plated]	1593ATS100 (Pkg 100)
DIN CLIP	1597DINCLIPXT



**HAMMOND
 MANUFACTURING®**

1597KIT4MPI

www.hammondmfg.com

Dimensions:
 mm
 [inches]