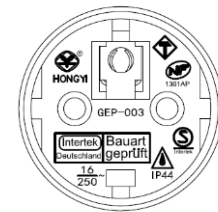
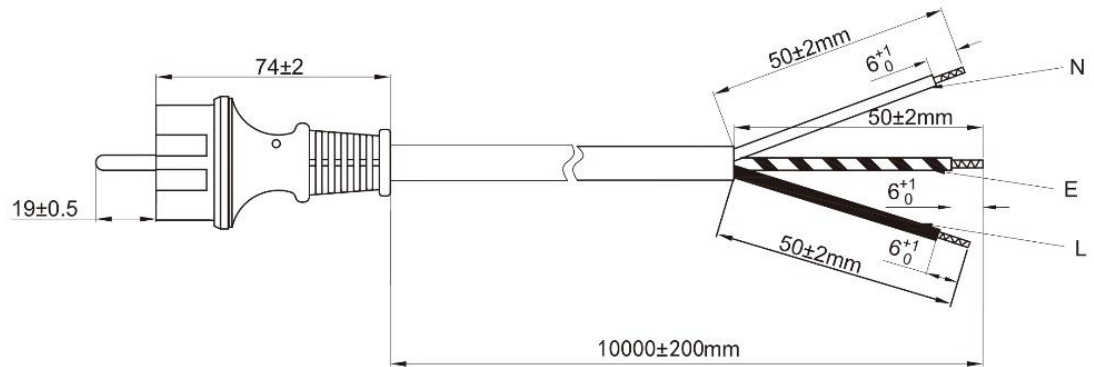


Item no.: 3014557

Data Sheet



H07RN-F 3G1.5mm² < VDE > KEMA-KEUR NINGBO HONGYI TECHNOLOGY SF