



# KODAK PIXPRO WPZ2

DIGITAL CAMERA



- Quick Start Guide
- Guide de démarrage rapide
- Guía de inicio rápido
- Guia de Inicialização rápida
- Schnellstartanleitung
- Краткое руководство
- Üzembe helyezési útmutató
- Guída avvio veloce
- Коротка інструкція



The Kodak trademark, logo and trade dress are used under license from Eastman Kodak Company.

La marque de commerce Kodak, logo et son apparence sont utilisées sous licence Eastman Kodak Company.

La marca, el logotipo y la imagen comercial Kodak son usadas bajo licencia de Compañía Eastman Kodak.

A marca, logotipo e a imagem comercial Kodak são usadas sob licença da Eastman Kodak Company.

Die Kodak, das Logo und die Kodak-Markenausstattung werden unter Lizenz von Eastman Kodak Company genutzt.

Товарний знак Kodak, логотип и товарная упаковка используются по лицензии компании Eastman Kodak Company.

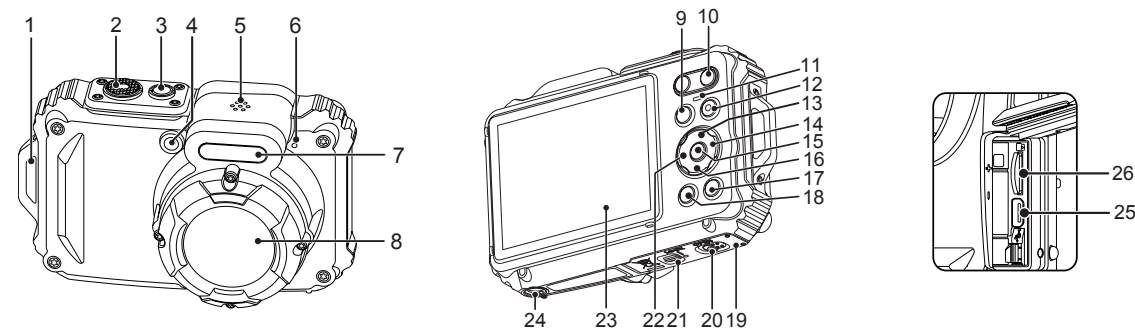
A Kodak márkajelzés, embléma és kereskedelmi jelzés használata a Eastman Kodak Company engedélyével történik.

Il marchio Kodak, logo ed il trade dress Kodak sono usati sotto licenza di Eastman Kodak Company.

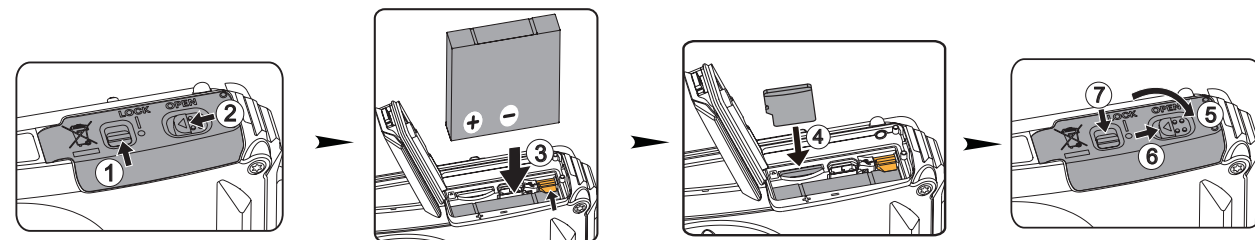
Торгова марка Kodak, логотип та фірмовий стиль використовуються за ліцензією Eastman Kodak Company.

© 2019 JK Imaging Ltd. All Rights Reserved.  
JK Imaging Ltd., 17239 So. Main Street, Gardena, CA 90248 USA  
kodakpixpro.com

## 1 Camera Views



## 2 Inserting the Battery & Micro SD Card



## IMPORTANT MICRO SD MEMORY CARD INFORMATION:

A micro SD memory card is not included with this camera packaging and needs to be purchased separately. This camera takes a microSD/microSDHC memory card. We recommend using a name brand memory card that is Class 4 or higher and has a capacity of 4GB to 32GB. This camera is not compatible with standard SD cards.

The Camera User Manual and the "PIXPRO Remote Viewer" User Manual are available on the websites below:

Le Manuel d'utilisation de l'Appareil Photo et le Manuel d'utilisation de "PIXPRO Remote Viewer" sont disponibles dans le site internet suivant:

El manual de usuario de la cámara y el manual del usuario de "PIXPRO Remote Viewer" se encuentran disponibles en el siguiente sitio web:

O Manual do usuário da Câmera e o Manual do usuário do "PIXPRO Remote Viewer" estão disponíveis no site Web abaixo:

Das Benutzerhandbuch der Kamera und Benutzerhandbuch "PIXPRO Remote Viewer" sind auf der folgenden Website verfügbar:

Руководство пользователя камеры и руководство пользователя "PIXPRO Remote Viewer" размещены на веб-сайте:

A kamera Felhasználói kézikönyv és a "PIXPRO Remote Viewer" Felhasználói kézikönyv az alábbi webhelyen található:

Il manuale dell'utente della fotocamera e il manuale dell'utente "PIXPRO Remote Viewer" sono disponibili al sito web riportato sotto:

інструкції до камери і "PIXPRO Remote Viewer" користувача доступні на веб-сайті нижче:

Americas



<http://kodakpixpro.com/Americas/support/downloads.php>

Europe

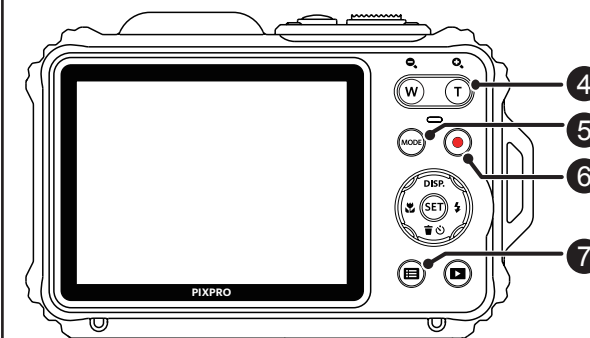


<http://www.kodakpixpro.com/Europe/support/multi-lang-downloads.php>

## 3 Setting the Language/Date/Time



## \* Using the Camera Buttons



## Quick Start Guide

## 1 Camera Views

|    |                                  |    |   |
|----|----------------------------------|----|---|
| 1  | Strap Eyelet                     | 14 | Flash Button/Arrow Button (Right)                   |
| 2  | Shutter Button                   | 15 | SET Button  |
| 3  | Power Button                     | 16 | Delete Button/Self-Timer Button/Arrow Button (Down) |
| 4  | AF Assist Beam/Self-Timer Lamp   | 17 | Playback Button                                     |
| 5  | Speaker                          | 18 | Menu Button   |
| 6  | Microphone                       | 19 | Battery Cover Door                                  |
| 7  | Flash Lamp                       | 20 | Battery Cover Door (Open) Toggle Switch             |
| 8  | Lens                             | 21 | Battery Cover Door Lock                             |
| 9  | Mode Button                      | 22 | Macro Button/Arrow Button (Left)                    |
| 10 | Zoom Button                      | 23 | LCD   |
| 11 | Indicator Lamp                   | 24 | Tripod Socket (1/4" Standard)                       |
| 12 | Quick Video Recording Button     | 25 | Micro USB Port                                      |
| 13 | Display Button/Arrow Button (Up) | 26 | Micro SD Card Slot (32GB max)                       |

## 2 Inserting the Battery and Micro SD Memory Card (32GB max)

1. Unlock the battery cover door lock as shown in step ①, push the battery cover door open switch to open the battery cover door as shown in step ②.
2. Insert the battery into the battery compartment as shown in step ③ being sure to line up metal contacts on bottom of battery with the contacts in slot.
3. Insert the Micro SD memory card (not to exceed 32GB) into the memory card slot as shown in step ④, push exposed edge of the Micro SD memory card fully into the slot with your fingertip.
4. Close the battery cover door as shown in step ⑤, push the battery cover door switch to close the battery cover door as shown in step ⑥ and be sure to lock the battery cover door latch as shown in step ⑦.

## 3 Setting the Language/Date/Time

1. Press the power button to turn the camera on and the language menu will appear. Use the up/down/left/right buttons to select desired language and press the **SET** button to confirm your language.
2. Use the up/down/left/right buttons again to set the date and time and press the **SET** button to confirm.

## 4 Taking the Best Photos

1. Be sure to hold the camera securely.
2. Use the zoom button to select Tele or Wide position to zoom in or out on your subject(s).
3. Gently press the shutter button half-way down to focus on your subject(s). When the focus frame turns green, press the shutter button completely down to take your photo.

## 5 Using the Mode Button

This camera provides a convenient mode button that allows you to manually switch between different camera settings with ease. Available modes are listed below:

|  |             |  |                 |
|--|-------------|--|-----------------|
|  | Auto Mode   |  | Program AE      |
|  | Manual Mode |  | Movie Mode      |
|  | Scene Mode  |  | Underwater Mode |
|  | Wi-Fi® Mode |  |                 |

## 6 Using the Quick Video Recording Button

While in shooting mode, press the **QVR** button to begin recording a video. To stop recording, press the **QVR** button again. The camera's Micro SD Memory Card (max 32GB) will store the video and return to the shooting screen.

## 7 Using the Menu Button

In each mode (except for the Wi-Fi® mode), press the menu **MENU** button to access the "Easy Menu". Press the up/down buttons to move between options, then press the **SET** button to make a selection. Choosing the **Full Menu** within this list will provide access to the Full Menu and Modes below:

| Shooting Mode | Playback Mode |
|---------------|---------------|
|               |               |
|               |               |
|               |               |
|               |               |
|               |               |

## 8 Wi-Fi® Connection

This camera can be connected to your smart device through the FREE "PIXPRO Remote Viewer" APP . The APP is available for iOS™ and ANDROID™ devices.