
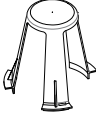
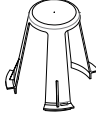
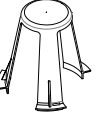


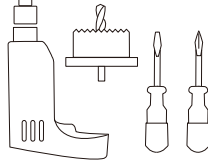


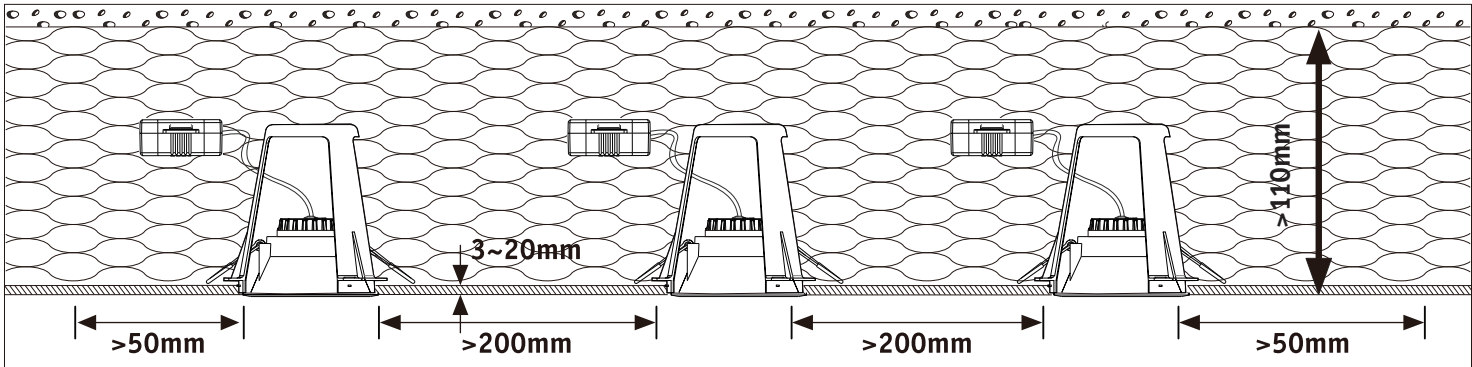





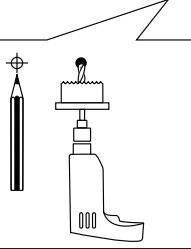
Art.-Nr.: 923.99 924.00 924.01 924.02 (+MA 326) PH11/23	 923.99  x3	924.00  x5	924.01  x10	924.02  x20	 	not incl.  Paulmann Art.-Nr. max.35W
						




A

 **Safety Instructions**
Nr. 4,5,7  off



Ø 62-90mm




B



C



 max.35W

! X

! ✓

D

! on