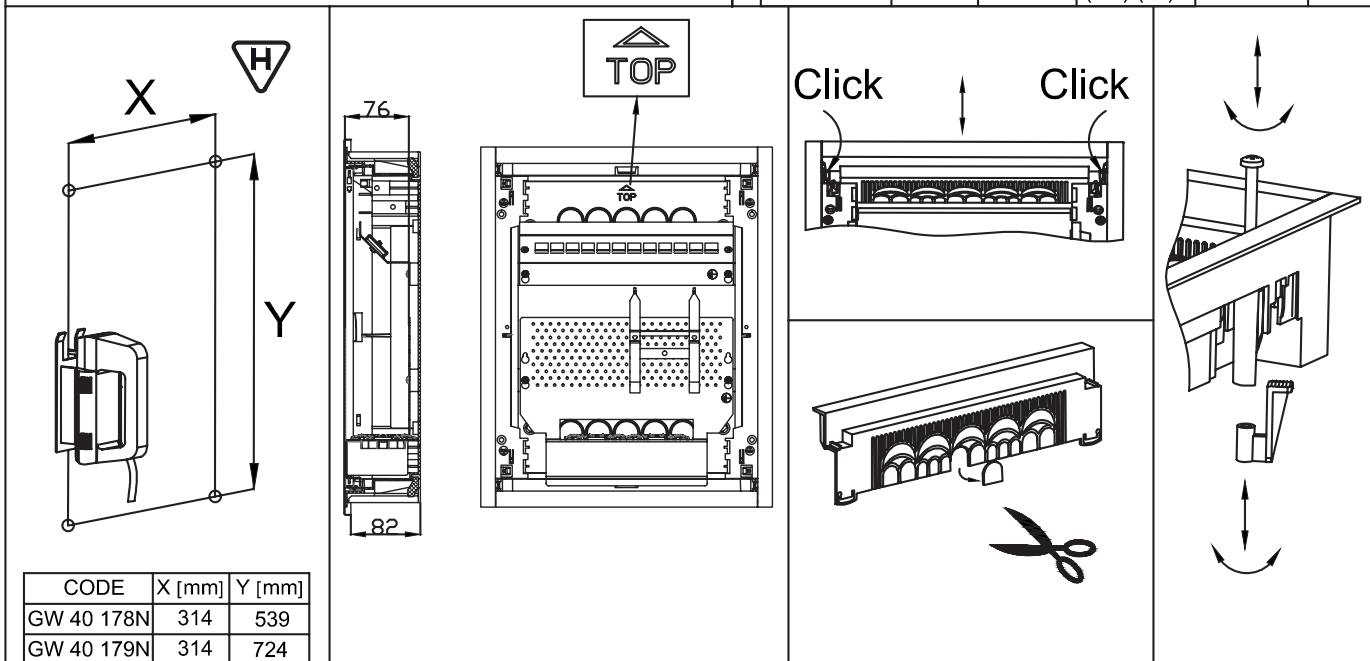
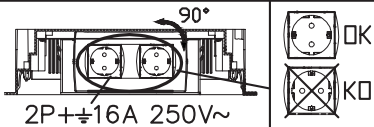
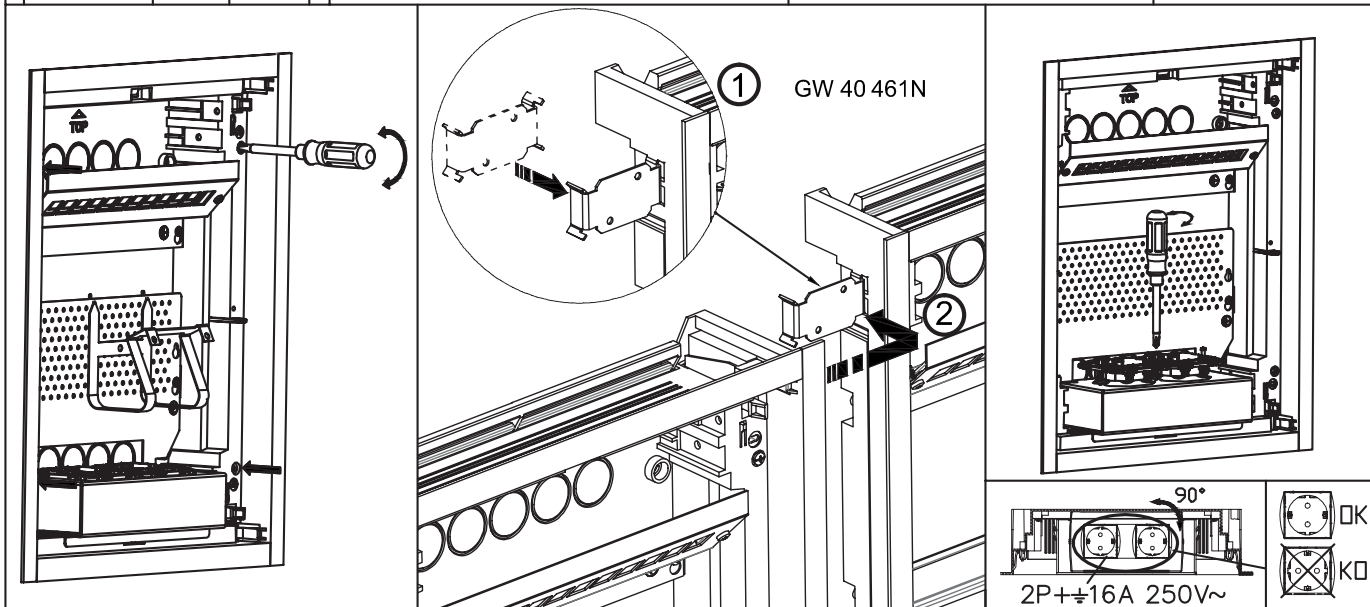
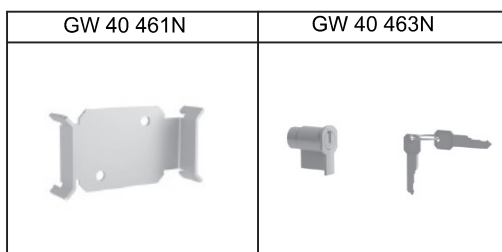
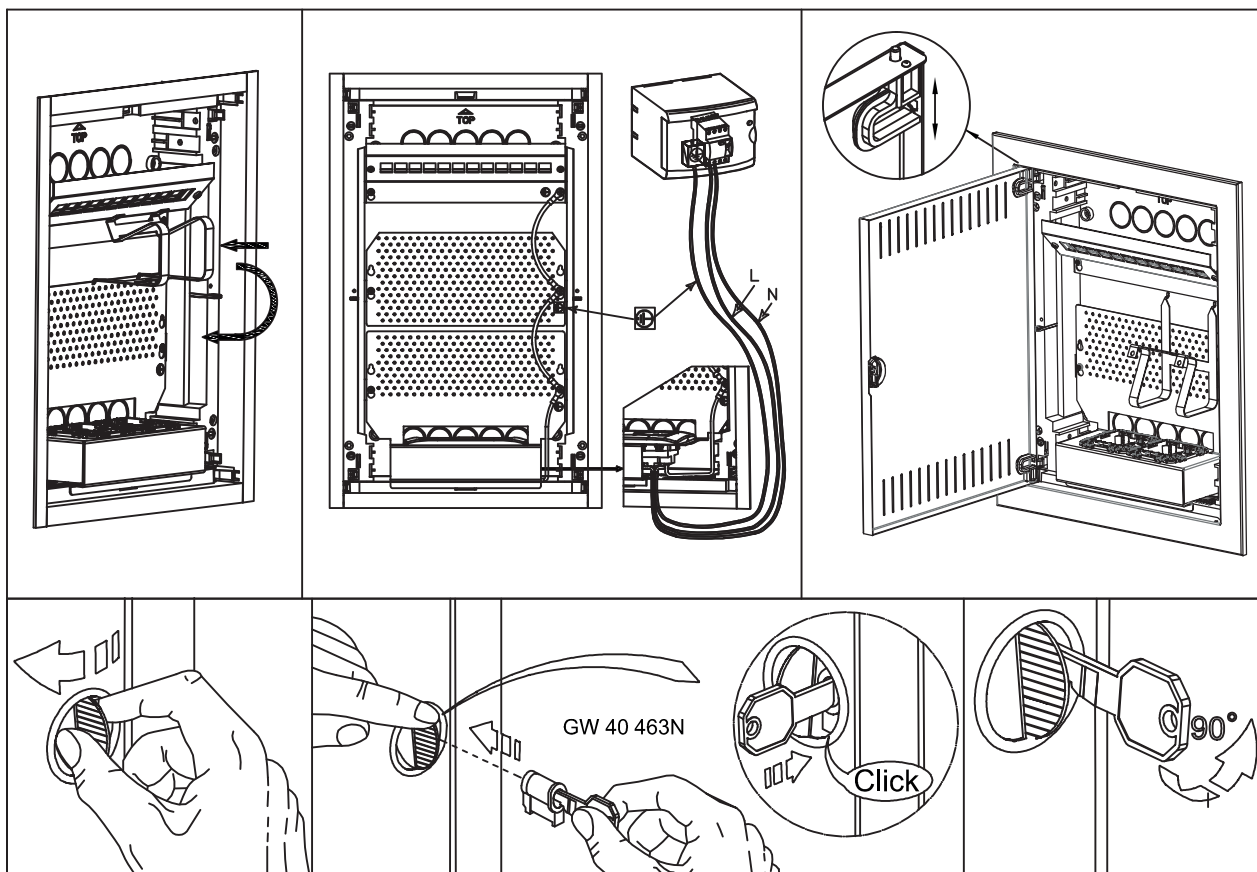


CODE	A [mm]	B [mm]	T [°C]	Pde [W]
GW 40 178N	568	539	(-15)-(60)	70
GW 40 179N	753	724	(-15)-(60)	80



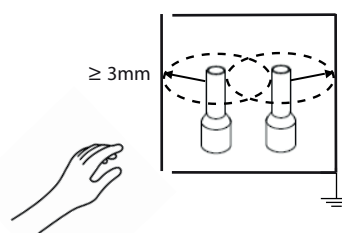
CODE	X [mm]	Y [mm]
GW 40 178N	314	539
GW 40 179N	314	724





IEC 60670-24 GP	Un	Ui
	400V	1000V

IEC 60670-24 PD	Un	Ui	IK
	400V	1000V	07



Punto di contatto indicato in adempimento ai fini delle direttive e regolamenti UE applicabili:  
 Contact details according to the relevant European Directives and Regulations:  
 GEWISS S.p.A. Via D.Bosatelli, 1 IT-24069 Cenate Sotto (BG) Italy tel: +39 035 946 111 E-mail: qualitymarks@gewiss.com

According to applicable UK regulations, the company responsible for placing the goods in UK market is:  
 GEWISS UK LTD - Unity House, Compass Point Business Park, 9 Stocks Bridge Way, ST IVES  
 Cambridgeshire, PE27 5JL, United Kingdom tel: +44 1954 712757 E-mail: gewiss-uk@gewiss.com



**+39 035 946 111**  
 8:30 - 12:30 / 14:00 - 18:00  
 lunedì - venerdì / monday - friday



[www.gewiss.com](http://www.gewiss.com)

