

---



---

**LINEAR IndiviLED® DIRECT**


---



---



---



---

**LINEAR IndiviLED® DIRECT / INDIRECT**


---



---



---



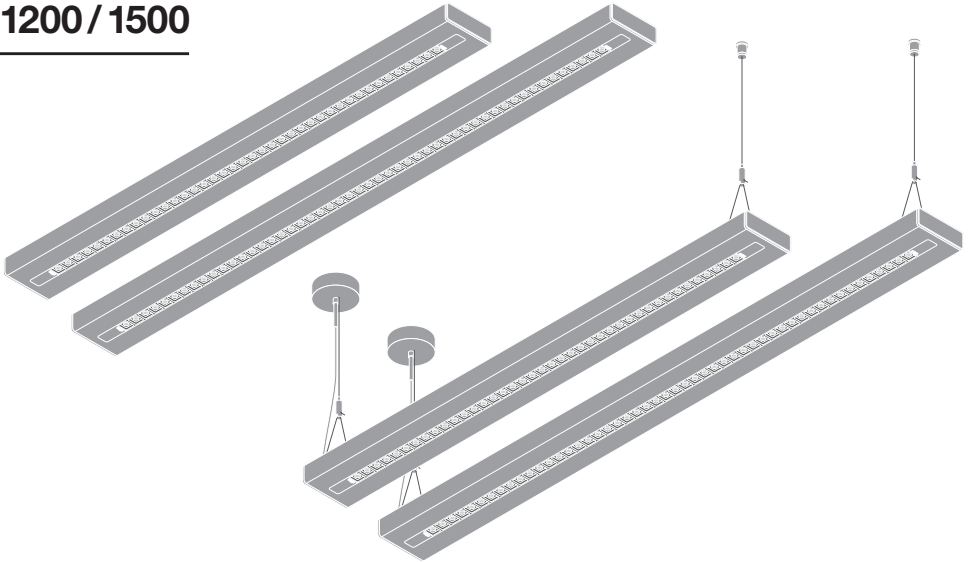
---

**1200 / 1500**


---



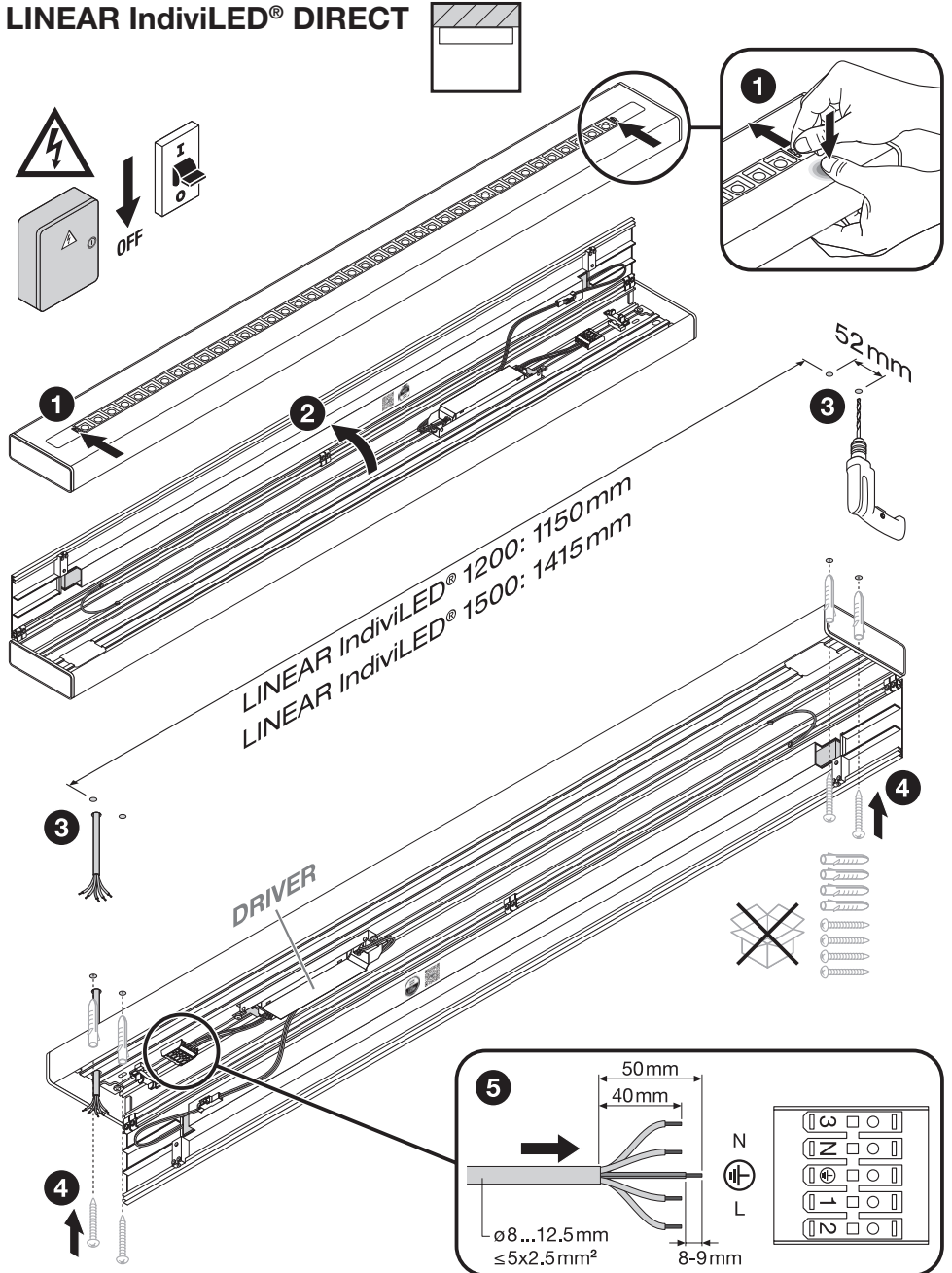
---

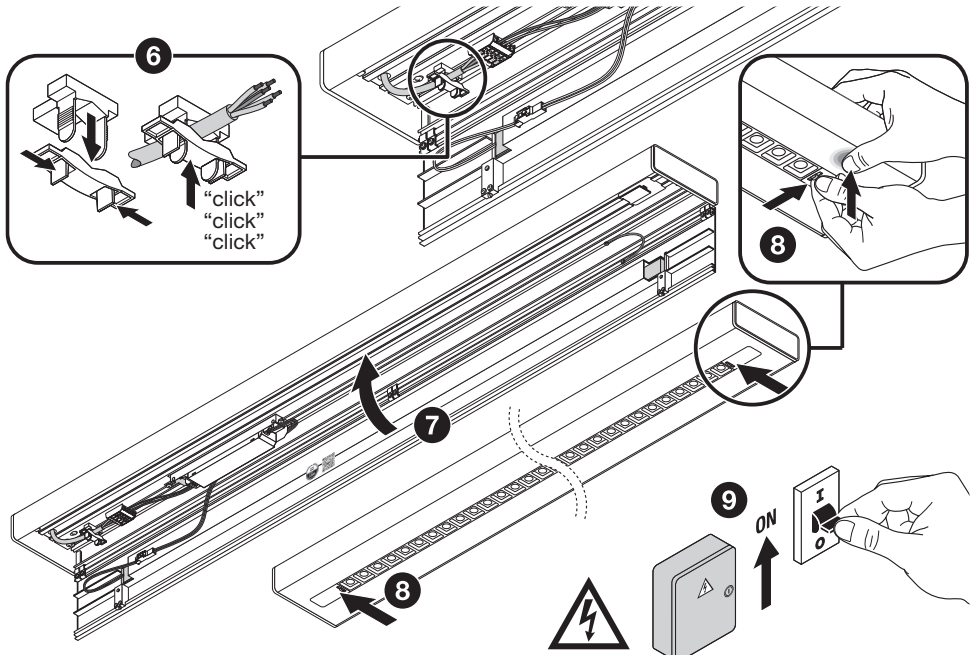


	EAN	l x w x h [mm]	K	IP	IK	° (°C)
LN INV D 1200 P 40W 930 PS WT	4099854135316	1210x125x43	3000	20	06	-20...+50
LN INV D 1200 P 40W 940 PS WT	4099854135330	1210x125x43	4000	20	06	-20...+50
LN INV DI 1200 P 55W 930 PS WT	4099854135156	1210x125x43	3000	20	06	-20...+50
LN INV DI 1200 P 55W 940 PS WT	4099854135170	1210x125x43	4000	20	06	-20...+50
LN INV D 1500 P 52W 930 PS WT	4099854135477	1475x125x43	3000	20	06	-20...+50
LN INV D 1500 P 52W 940 PS WT	4099854135491	1475x125x43	4000	20	06	-20...+50
LN INV DI 1500 P 69W 930 PS WT	4099854135231	1475x125x43	3000	20	06	-20...+50
LN INV DI 1500 P 69W 940 PS WT	4099854135255	1475x125x43	4000	20	06	-20...+50

	EAN	V <sub>AC</sub>	Hz	∇	PF	R <sub>a</sub>	⊞
LN INV D 1200 P 40W 930 PS WT	4099854135316	220-240V	50/60	90°	> 0.9	> 90	3.2kg
LN INV D 1200 P 40W 940 PS WT	4099854135330	220-240V	50/60	90°	> 0.9	> 90	3.2kg
LN INV DI 1200 P 55W 930 PS WT	4099854135156	220-240V	50/60	90° + 130°	> 0.9	> 90	3.7kg
LN INV DI 1200 P 55W 940 PS WT	4099854135170	220-240V	50/60	90° + 130°	> 0.9	> 90	3.7kg
LN INV D 1500 P 52W 930 PS WT	4099854135477	220-240V	50/60	90°	> 0.9	> 90	3.9kg
LN INV D 1500 P 52W 940 PS WT	4099854135491	220-240V	50/60	90°	> 0.9	> 90	3.9kg
LN INV DI 1500 P 69W 930 PS WT	4099854135231	220-240V	50/60	90° + 130°	> 0.9	> 90	4.3kg
LN INV DI 1500 P 69W 940 PS WT	4099854135255	220-240V	50/60	90° + 130°	> 0.9	> 90	4.3kg

LINEAR IndiviLED® DIRECT





dip switch  Preset: ON/ON

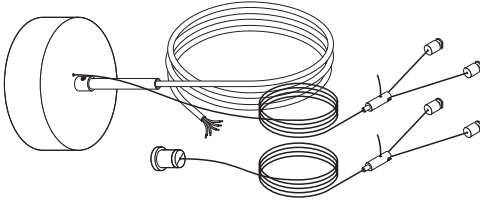


LINEAR IndiviLED® DIRECT	DRIVER	dip switch			mA	W	lm	lm/W
		Pin 1	Pin 2	Preset				
LN INV D 1200 P 40W 930 PS WT	OSRAM IT FIT 40/ 220...240/ 800 CS L	OFF	OFF	-	500	25	3150	126
		OFF	ON	-	600	30	3700	123
		ON	OFF	-	700	36	4400	122
		ON	ON	Preset	800	40	4800	120
LN INV D 1200 P 40W 940 PS WT	OSRAM IT FIT 40/ 220...240/ 800 CS L	OFF	OFF	-	500	25	3250	130
		OFF	ON	-	600	30	3900	130
		ON	OFF	-	700	36	4600	128
		ON	ON	Preset	800	40	5050	126
LN INV D 1500 P 52W 930 PS WT	OSRAM OT FIT 55W CS L AP_V3.2	OFF	OFF	-	800	40	4850	121
		OFF	ON	-	900	46	5450	118
		ON	OFF	-	975	48	5650	118
		ON	ON	Preset	1050	52	6050	116
LN INV D 1500 P 52W 940 PS WT	OSRAM OT FIT 55W CS L AP_V3.2	OFF	OFF	-	800	40	5200	130
		OFF	ON	-	900	46	5900	128
		ON	OFF	-	975	48	6100	127
		ON	ON	Preset	1050	52	6550	126

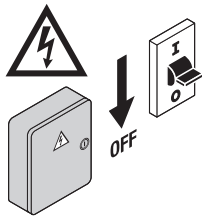
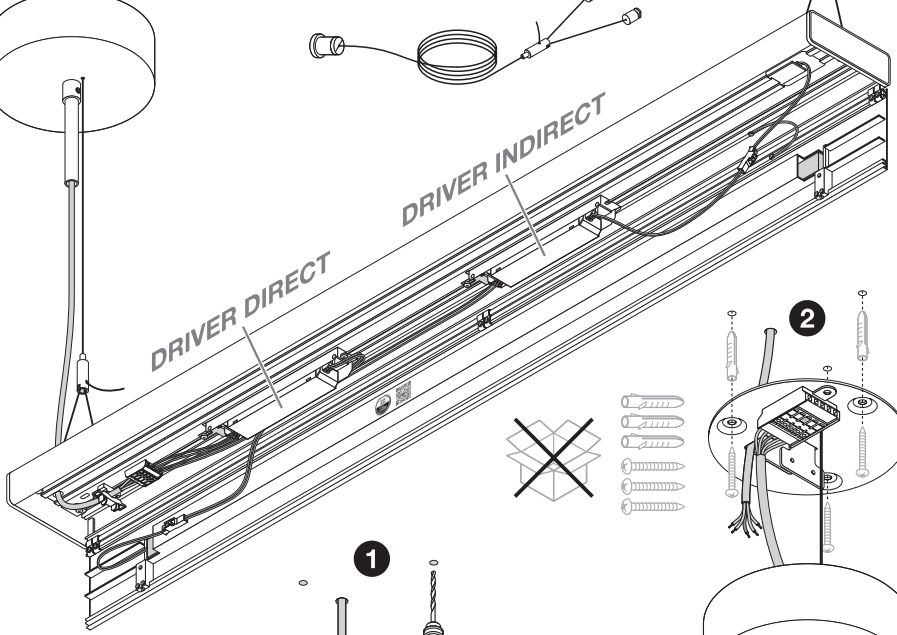
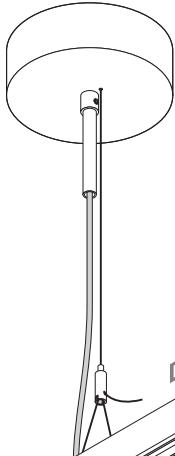
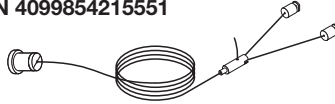
# LINEAR IndiviLED® DIRECT LINEAR IndiviLED® DIRECT/INDIRECT

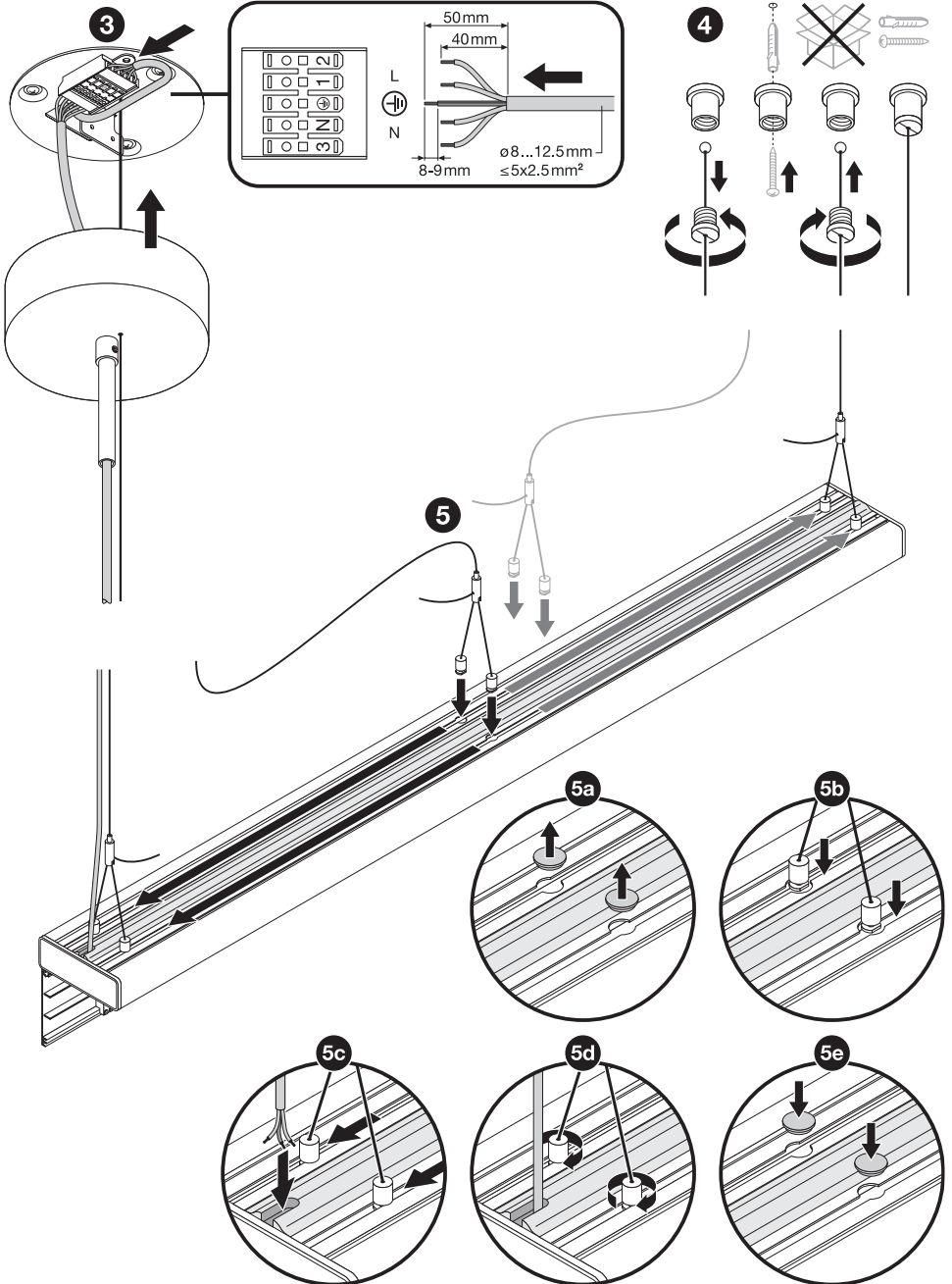


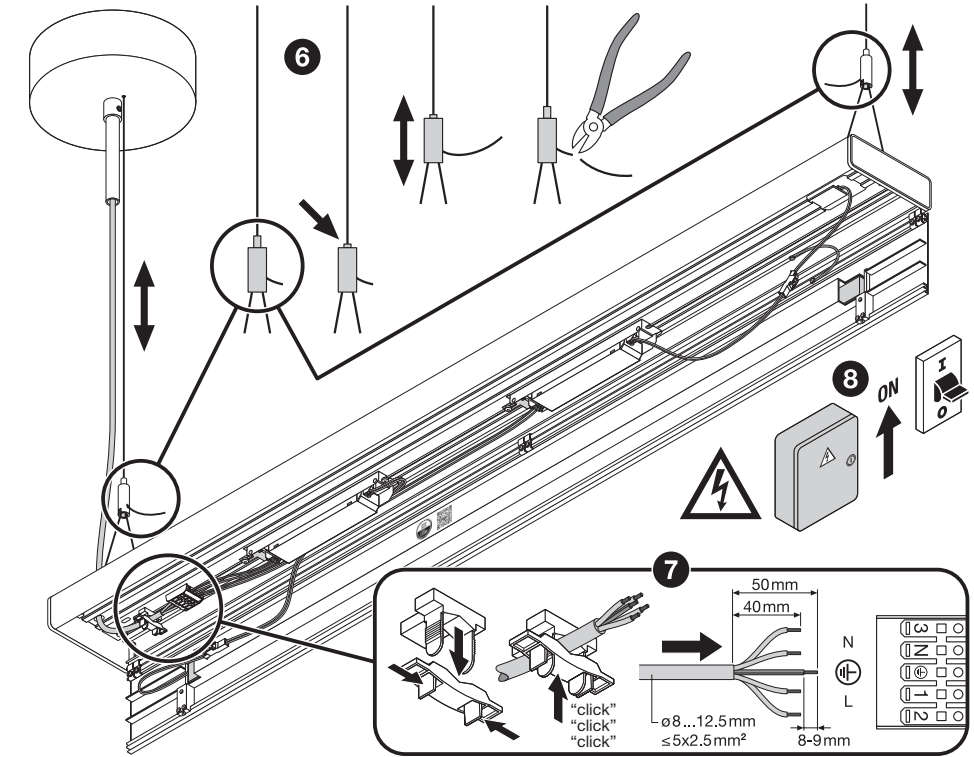
LINEAR IndiviLED® SUSPENSION KIT WT  
EAN 4099854215537



LINEAR IndiviLED® SUSPENSION Wire  
EAN 4099854215551





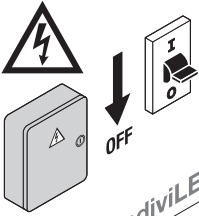
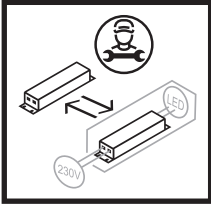


dip switch Pin 1  OFF  ON  
 Pin 2  NO  NO  
 1200 mm Indirect Preset: ON/OFF  
 1200 mm Direct Preset: ON/ON



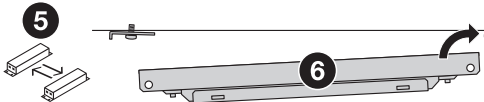
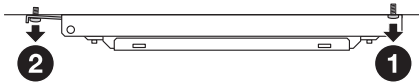
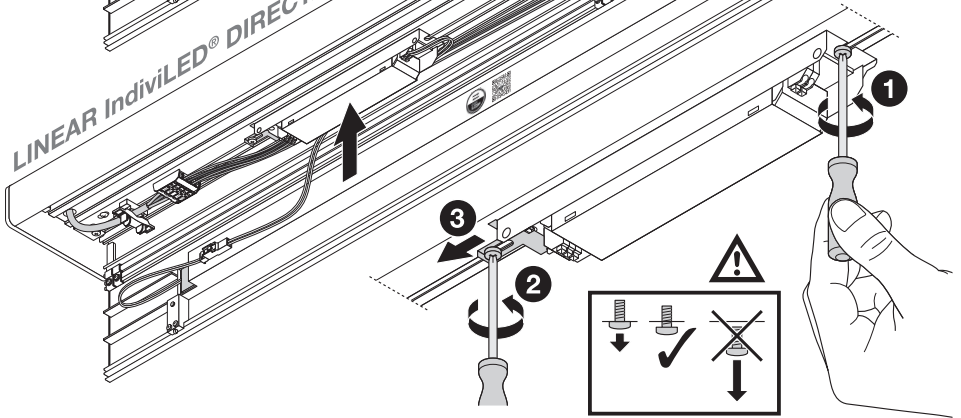
LINEAR IndiviLED® DIR/IND	DRIVER DIRECT	dip switch			mA	W	lm
		Pin 1	Pin 2	Preset			
LN INV DI 1200 P 55W 930 PS WT	OSRAM	OFF	OFF	-	500	25	3150
	IT FIT 40/	OFF	ON	-	600	30	3700
	220...240/	ON	OFF	-	700	36	4400
	800 CS L	ON	ON	Preset	800	40	4800
LN INV DI 1200 P 55W 940 PS WT	OSRAM	OFF	OFF	-	500	25	3250
	IT FIT 40/	OFF	ON	-	600	30	3900
	220...240/	ON	OFF	-	700	36	4600
	800 CS L	ON	ON	Preset	800	40	5050
LN INV DI 1500 P 69W 930 PS WT	OSRAM	OFF	OFF	-	800	40	4850
	IT FIT 40/	OFF	ON	-	900	46	5450
	220...240/	ON	OFF	-	975	48	5650
	800 CS L	ON	ON	Preset	1050	52	6050
LN INV DI 1500 P 69W 940 PS WT	OSRAM	OFF	OFF	-	800	40	5200
	IT FIT 40/	OFF	ON	-	900	46	5900
	220...240/	ON	OFF	-	975	48	6100
	800 CS L	ON	ON	Preset	1050	52	6550

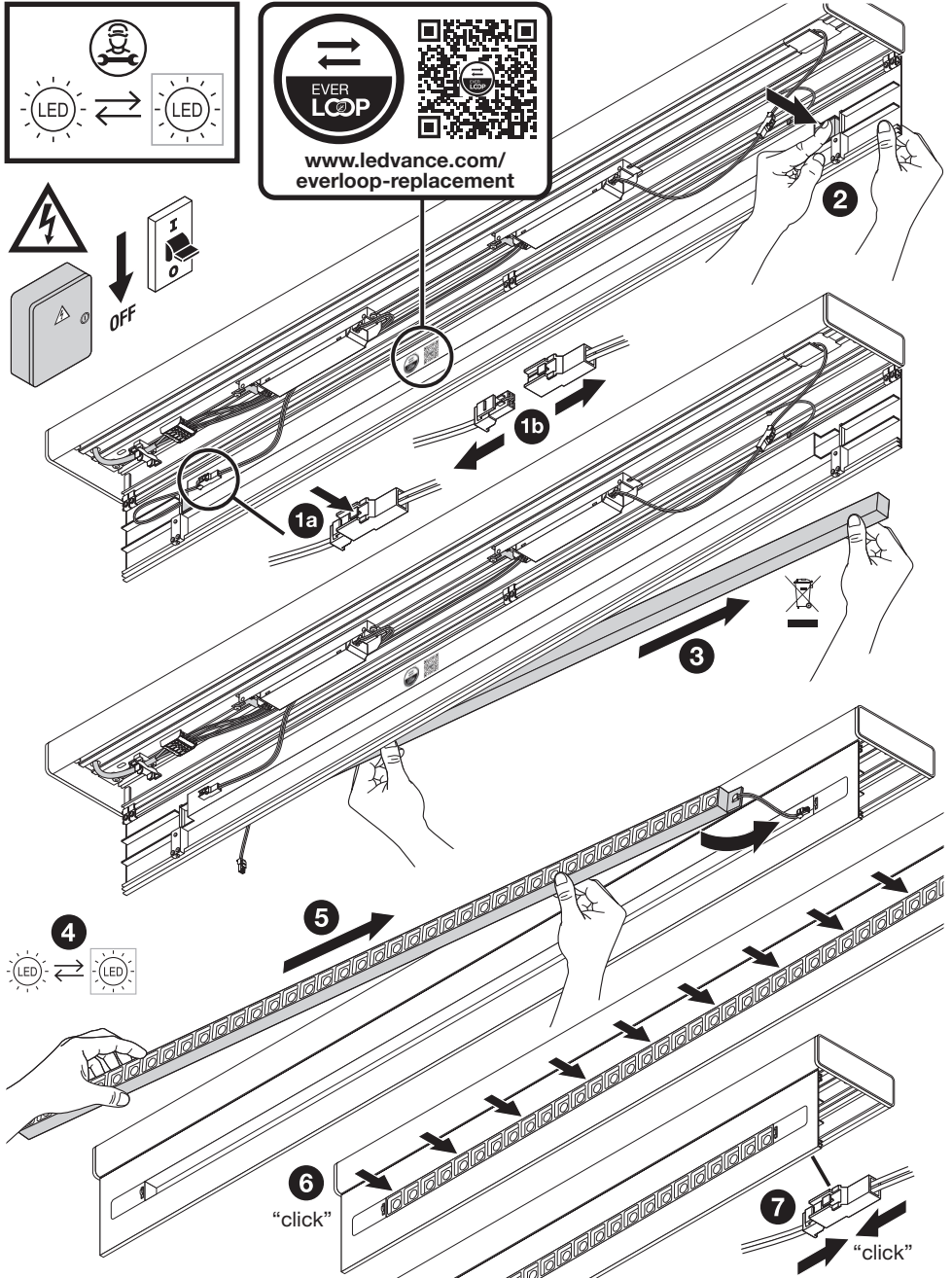
DRIVER INDIRECT	dip switch			mA	W	lm	Total			
	Pin 1	Pin 2	Preset				mA	W	lm	lm/W
OSRAM	OFF	OFF	-	200	10	1300	700	35	4450	127
	OFF	ON	-	250	13	1650	850	43	5350	124
	ON	OFF	-	250	13	1650	950	49	6050	123
	ON	ON	Preset	300	15	2000	1100	55	6800	124
OSRAM	OFF	OFF	-	200	10	1350	700	35	4600	131
	OFF	ON	-	250	13	1800	850	43	5700	133
	ON	OFF	-	250	13	1800	950	49	6400	131
	ON	ON	Preset	300	15	2150	1100	55	7200	131
OSRAM	OFF	ON	-	250	13	1800	1050	53	6650	125
	ON	OFF	-	300	15	2150	1200	61	7600	125
	ON	ON	-	300	15	2150	1275	63	7800	124
	ON	ON	Preset	350	17	2300	1400	69	8350	121
OSRAM	OFF	ON	-	250	13	1900	1050	53	7100	134
	ON	OFF	-	300	15	2300	1200	61	8200	134
	ON	ON	-	300	15	2300	1275	63	8400	133
	ON	ON	Preset	350	17	2500	1400	69	9050	131



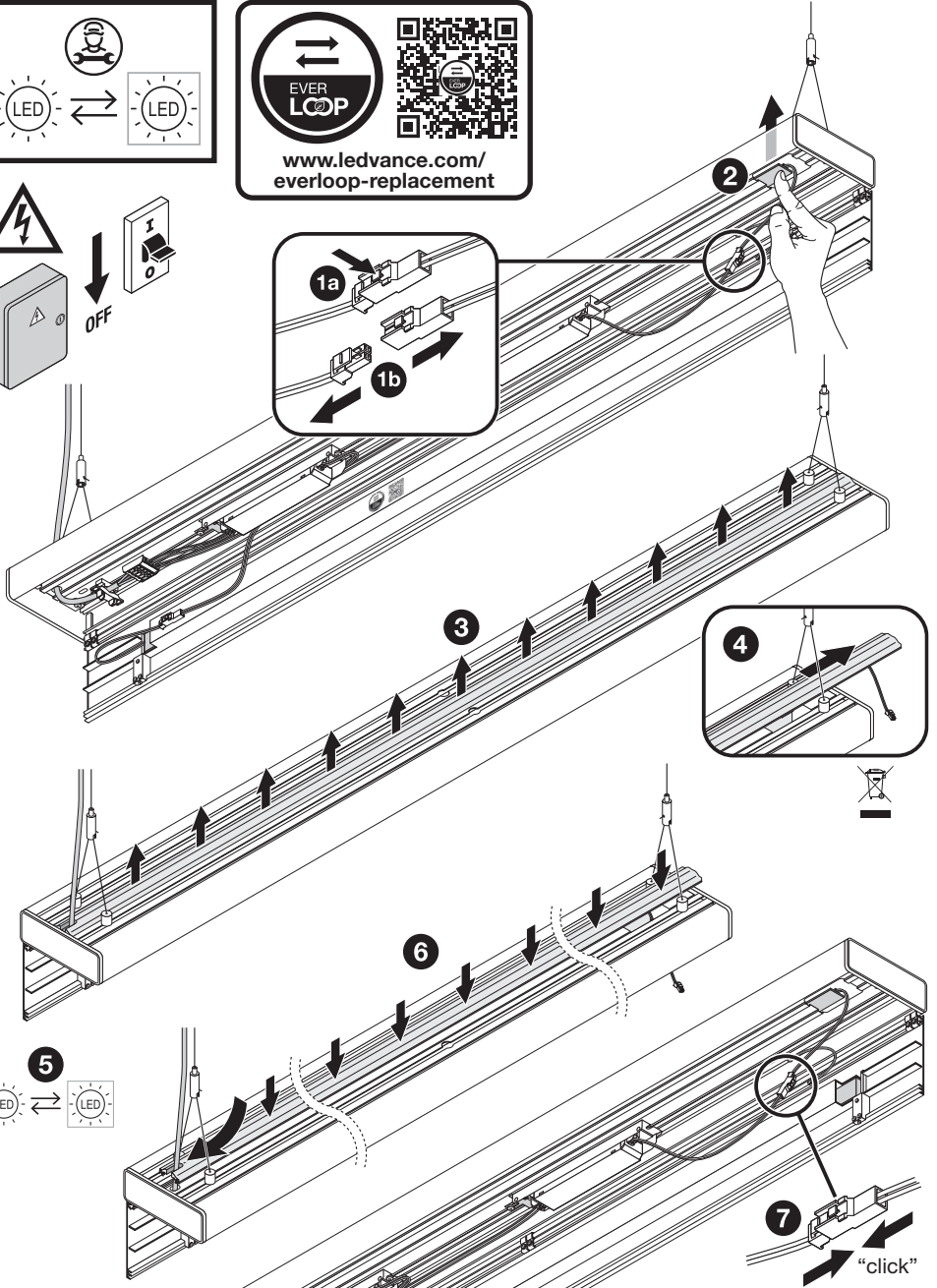
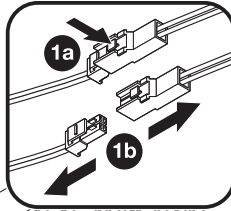
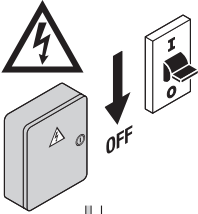
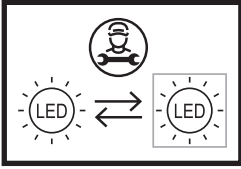
LINEAR IndiviLED® DIRECT: 1x DRIVER

LINEAR IndiviLED® DIRECT/INDIRECT: 2x DRIVER

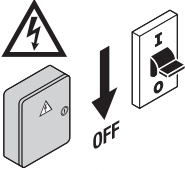
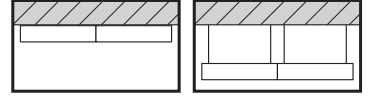




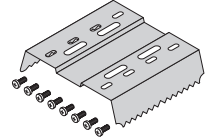




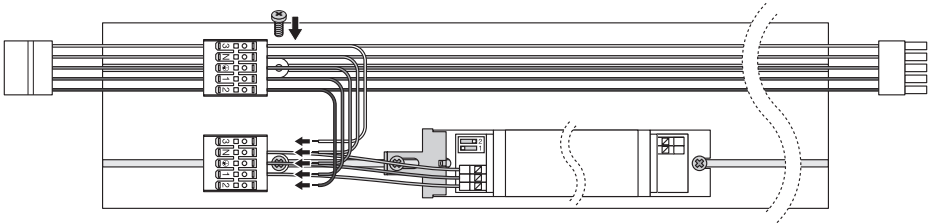
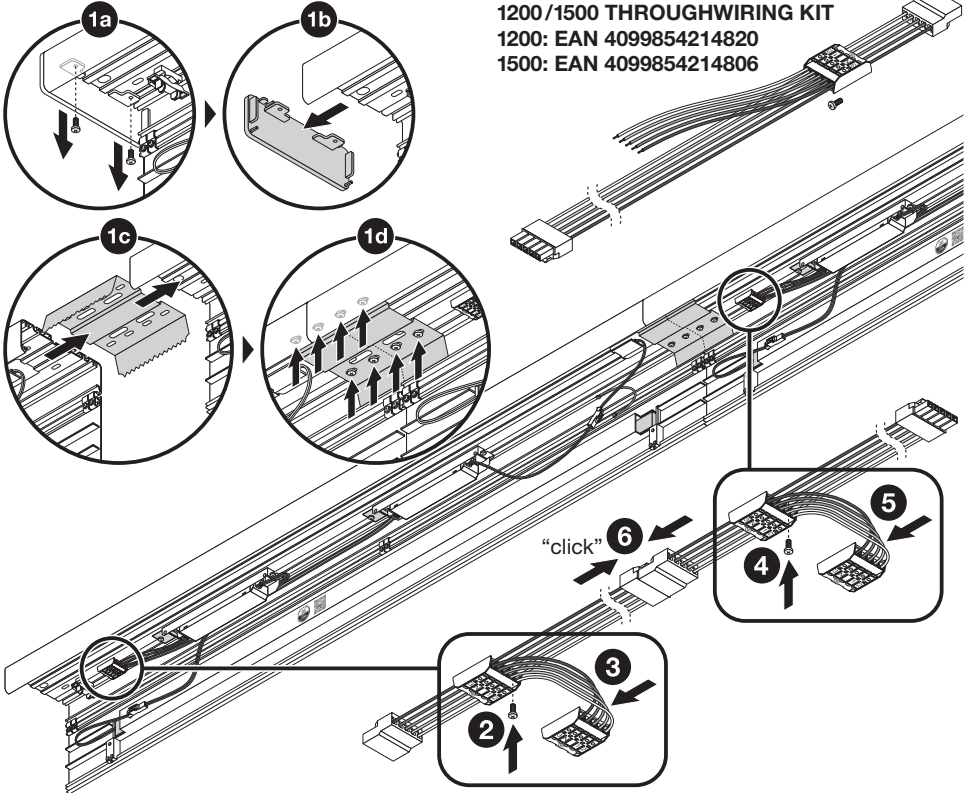
**LINEAR IndiviLED® DIRECT**  
**LINEAR IndiviLED® DIRECT/INDIRECT**



LINEAR IndiviLED®  
INLINE CONNECTOR  
EAN 4099854215612

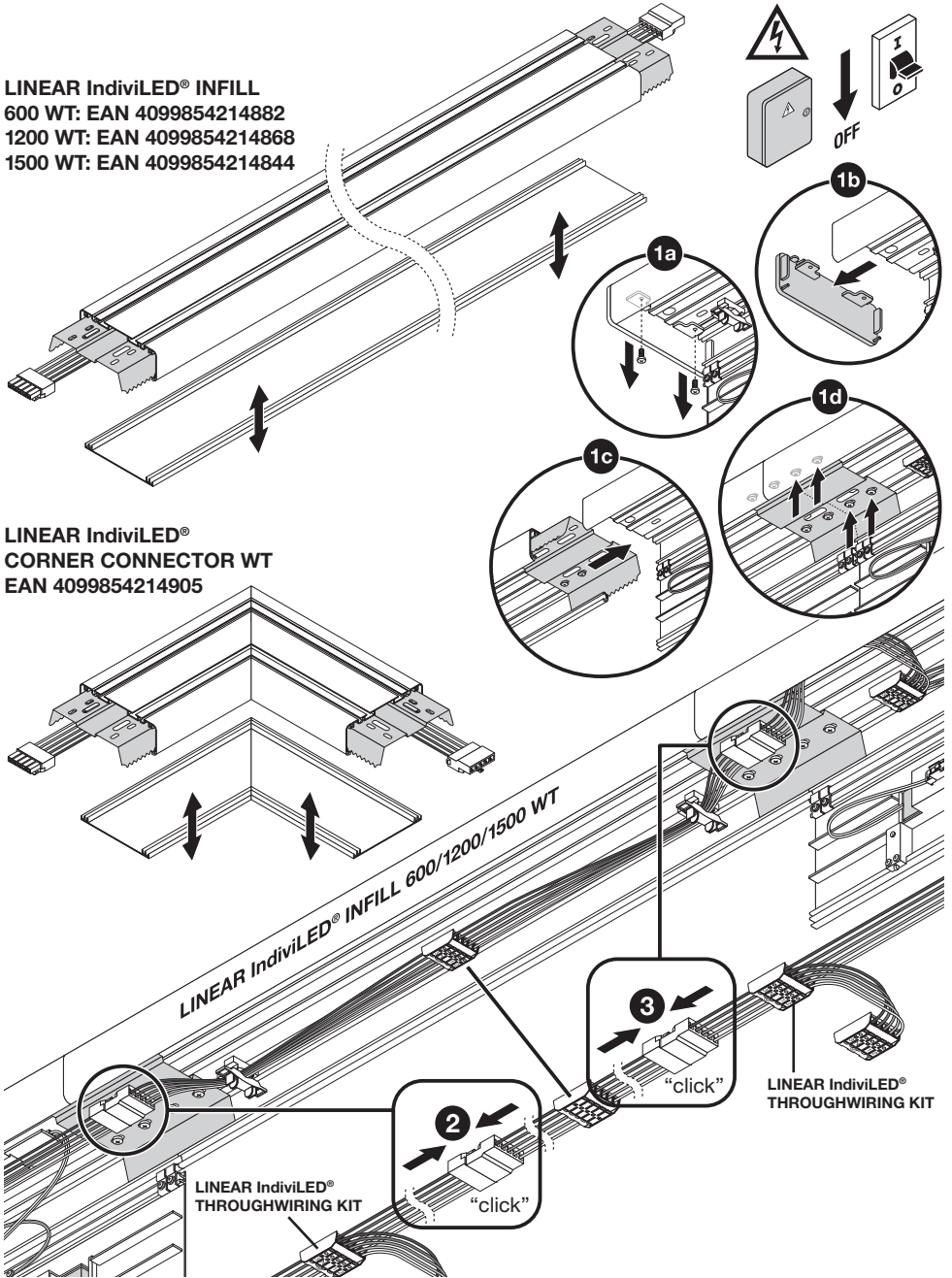


LINEAR IndiviLED®  
1200/1500 THROUGHWIRING KIT  
1200: EAN 4099854214820  
1500: EAN 4099854214806

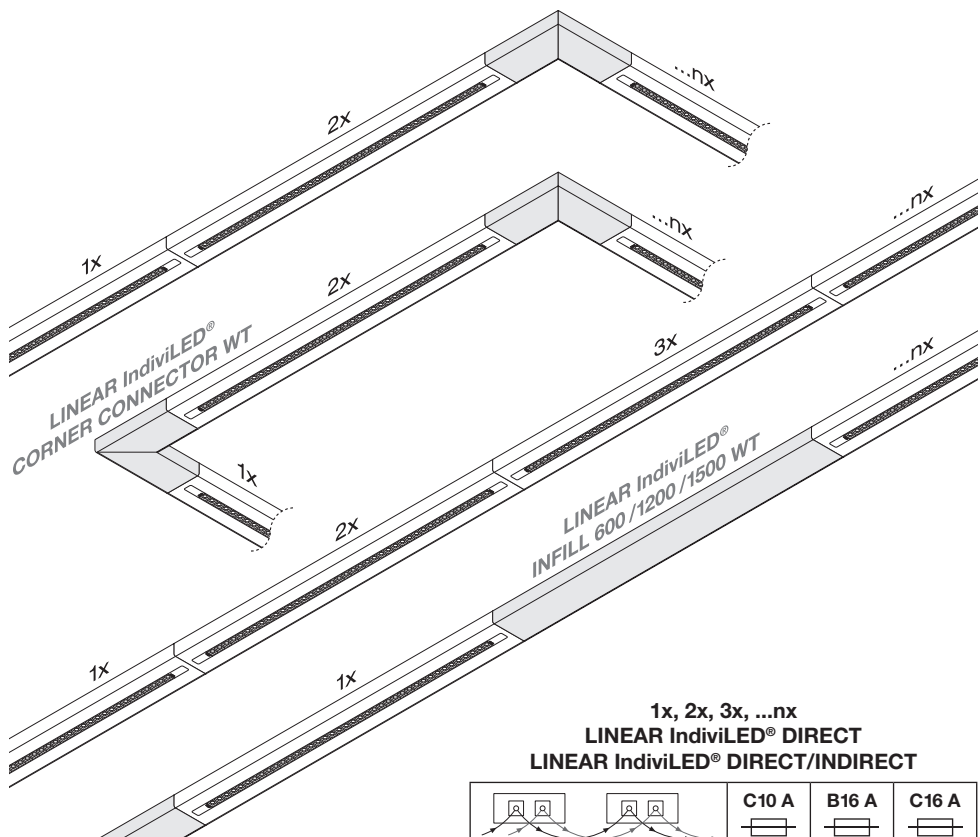


LINEAR IndiviLED® INFILL  
600 WT: EAN 4099854214882  
1200 WT: EAN 4099854214868  
1500 WT: EAN 4099854214844

LINEAR IndiviLED®  
CORNER CONNECTOR WT  
EAN 4099854214905



**LINEAR IndiviLED® DIRECT / LINEAR IndiviLED® DIRECT/INDIRECT**



**1x, 2x, 3x, ...nx**  
**LINEAR IndiviLED® DIRECT**  
**LINEAR IndiviLED® DIRECT/INDIRECT**

	C10 A	B16 A	C16 A
LN INV D 1200 P 40W 930 PS WT	n=30	n=31	n=49
LN INV D 1200 P 40W 940 PS WT	n=30	n=31	n=49
LN INV DI 1200 P 55W 930 PS WT	n=23	n=27	n=37
LN INV DI 1200 P 55W 940 PS WT	n=23	n=27	n=37
LN INV D 1500 P 52W 930 PS WT	n=20	n=23	n=32
LN INV D 1500 P 52W 940 PS WT	n=20	n=23	n=32
LN INV DI 1500 P 69W 930 PS WT	n=15	n=18	n=25
LN INV DI 1500 P 69W 940 PS WT	n=15	n=18	n=25



[www.ledvance.com/everloop](http://www.ledvance.com/everloop)



**FR**  
 Cet appareil et ses accessoires se recyclent

À DÉPOSER EN MAGASIN

OU

À DÉPOSER EN DÉCHÈTERIE

Points de collecte sur [www.quefairedemesdechets.fr](http://www.quefairedemesdechets.fr)



**LEDVANCE GmbH**  
 Steinerne Furt 62  
 86167 Augsburg, Germany  
[www.ledvance.com](http://www.ledvance.com)

C10449059  
 G11178841  
 11.10.23

© LEDVANCE Ltd, Aquila House  
 Delta Crescent, Westbrook, Warrington  
 WA5 7NR, United Kingdom