



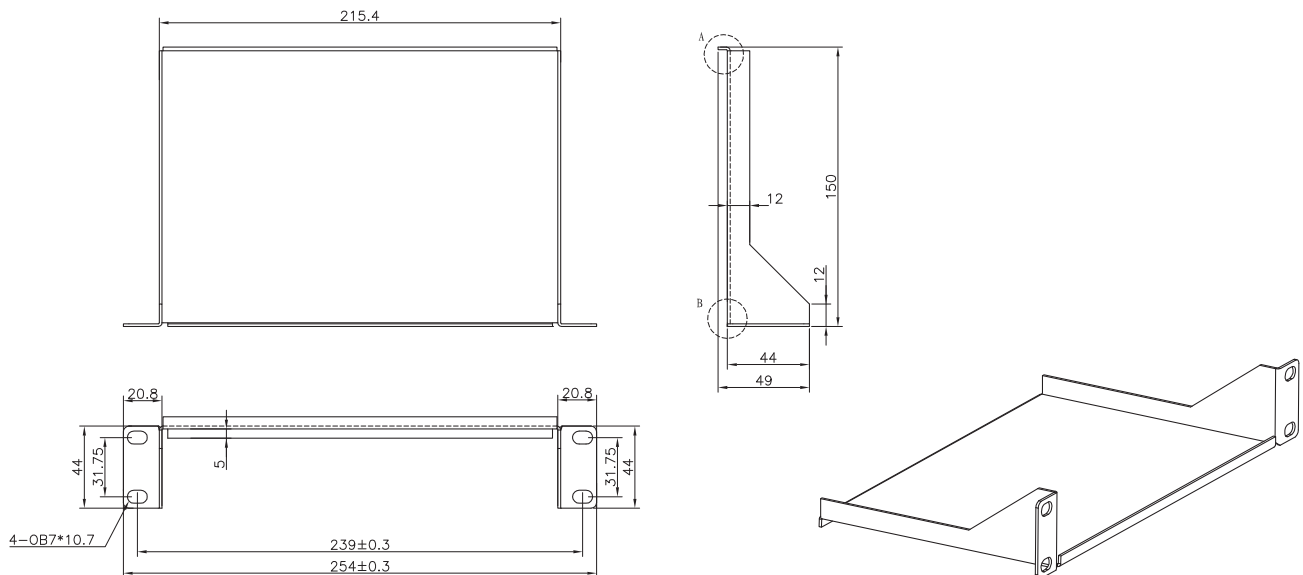
10" Shelf

Technical Features

1.5 mm steel

Electrostatic powder paint

Technical Drawings



www.logilink.de



RoHS
compliant



Made in China

* The specifications and pictures are subject to change without notice.
*All trade names referenced are the registered trademark of their respective owners.

Part no.	Color	EAN Code
ACT101	Light grey	4052792026658
ACT102	Black	4052792026665

Package Contents

10" Shelf x 1

Packaging Informations(ACT101)

Packing Dimension	520 x 55 x 275mm
Packing Weight	0.6kg
Carton Dimension	330 x 300 x 190mm
Carton Q'ty	5pcs
Carton Weight	5kg

Packaging Informations(ACT102)

Packing Dimension	520 x 55 x 275mm
Packing Weight	0.6kg
Carton Dimension	330 x 300 x 190mm
Carton Q'ty	5pcs
Carton Weight	6.5kg

