



10" Blanking Panel 1U

Technical Features

1.5mm steel

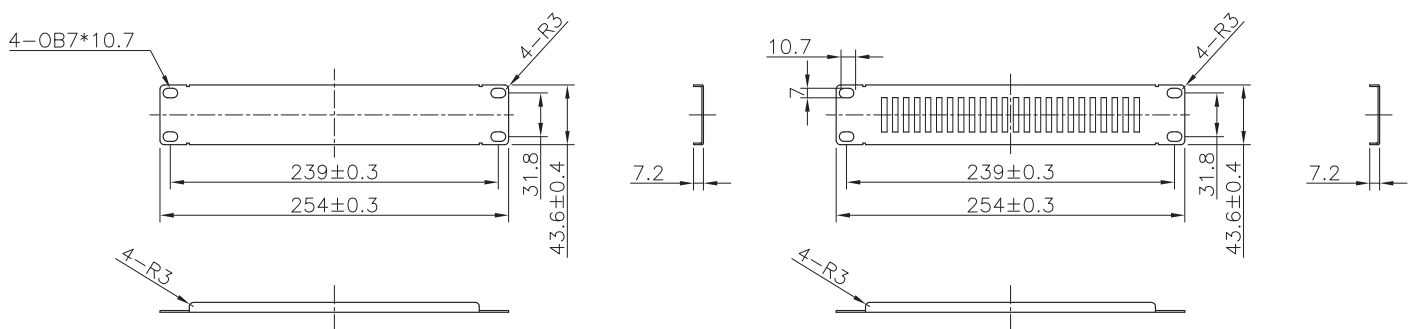
Electrostatic powder paint

RAL7035 Light Grey or RAL9005 Black

Part-No.	Color	EAN Code
ACT103	Light grey	4052792026672
ACT104	Black	4052792026689

Technical Drawings

ACT103 / ACT104



Made in China

www.logilink.de



RoHS
compliant



* The specifications and pictures are subject to change without notice.
*All trade names referenced are the registered trademark of their respective owners.

Package Contents

1 x 10" Blanking panel 1U

Packaging Informations

Packing Dimension	270 x 44 x 8mm
Packing Weight	0.33kg
Carton Dimension	520 x 300 x 230mm
Carton Q'ty	50pc
Carton Weight	16.5kg

