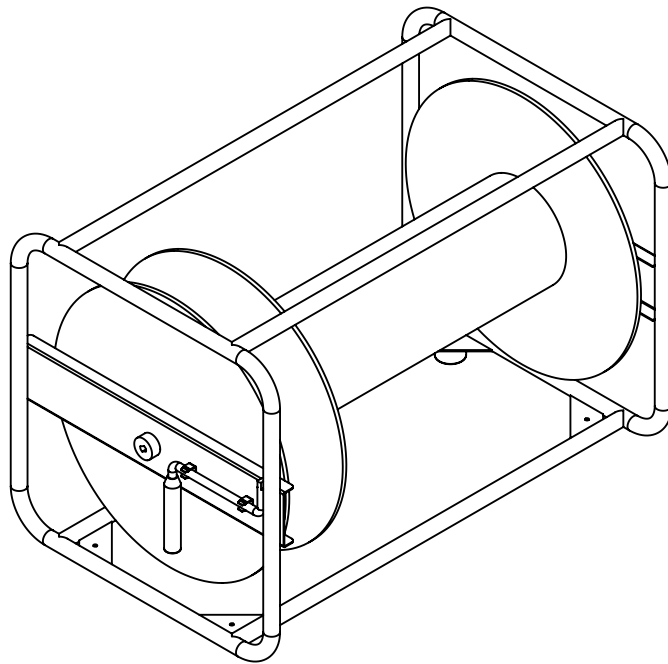
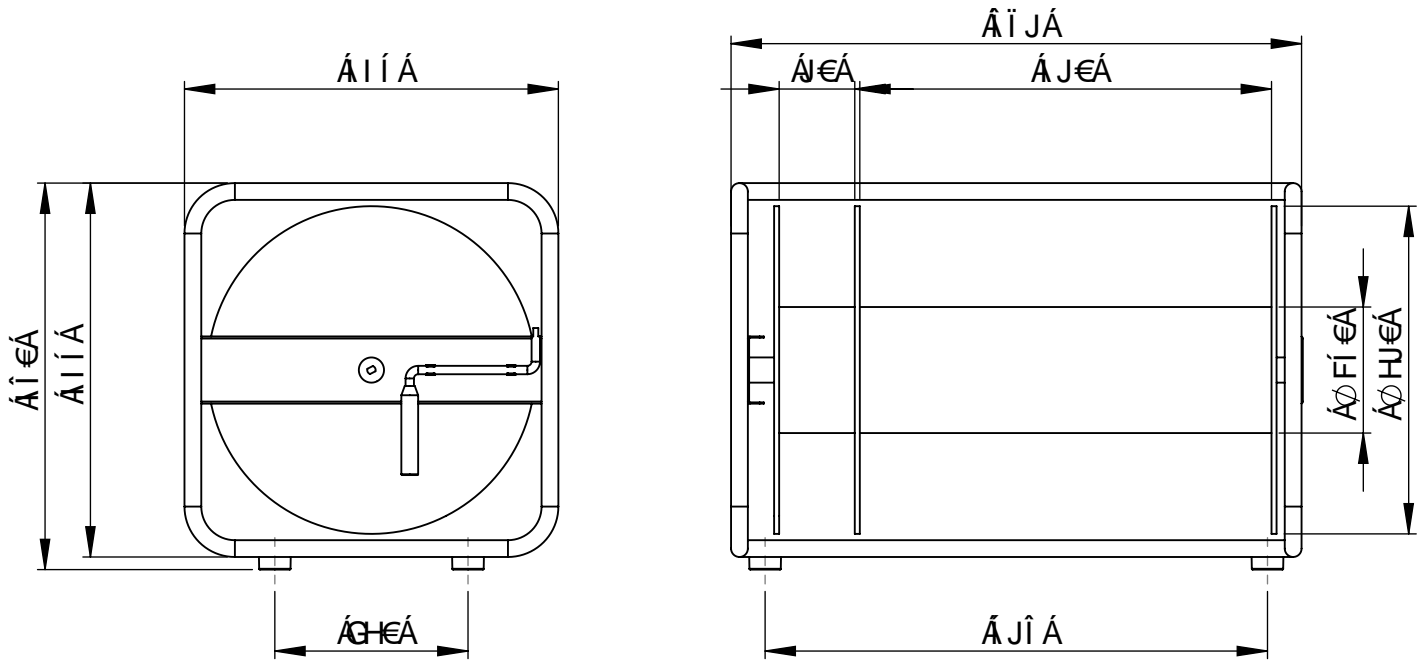


H97 < B € 7 < 9 N9 7 < BI B;
H97 < B 7 5 @ 8 F 5 K B; CB 9 GG B H97 < B € I 9 CB 6 I > C H97 < B 7 C



+\$&* \$



5XUa < U" 0Vfba a h_Y]bY; Yk AVfcXYF < Uzi b[zFX]YF]Mh[_Y]z; YbUi]]_Y]ni bX'J c" gAbX[]_Y]nX]YgYfNY]Mbi b["
5XUa < U" UWWdhp bc fYgdcbgV]]mcf]UV]]mzf h_Y VefYVibYggzUWW fUWnUbX Vea d'YfYbYgg cZa]g] i gfu]hcb"
5XUa < U" b Uggi a Y'U WbY [UfUb]Y b] fYgdcbgUV]]A ei Uoh%4 U Vebzfa]rAz U dfAV]g]cb Yh' YI \U] g]j]rA XY W' gWÁa U"
5XUa < U" bc cZYW' [UfUbiU U' i bU fYgdYVte U" U YI UMMh Xzd fYV]g] b c]b fY [f]XUX XY YgtU] i gfuV] b"

5XUa < U" ; a V< CBUja Yfgf" - CE %&* + BYi !5bgdUW; Yfa Ubm
HY" fZ (-E* \$, %#- (% \$ CE UI . fZ (-E* \$, %#- (% %\$\$\$ CB! a U] . a U] 4 UXUa \U" Vea