

LogiLink®

Sit-Stand Desk Frame 120° Corner Design

Art. No.: EO0017



Perfect sit-stand desk frame with 120° corner design for office, school and home. Through digital control panel to adjust and save your desired height.



RoHS
compliant



*The specifications and pictures are subject to change without prior notice.
*All trade names referenced are the registered trademarks of their respective owners.



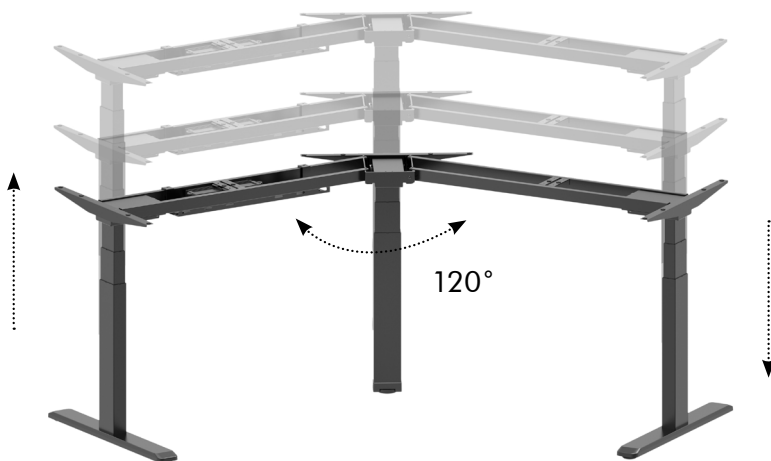
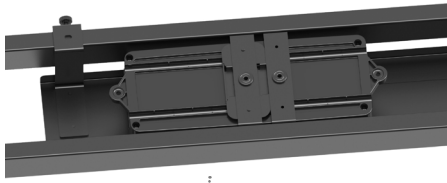
Made in China



Digital LED memory controller for customizable settings.

Three programmable memory presets save your desired height.

Sit/Stand time reminder for regular movement.



Three motors offer heavier lifting ability and increased stability.

Collision avoidance system safeguards against accidents and injuries.

Desk height range: 620-1280 mm
Width range: 1160-1860 mm



*The specifications and pictures are subject to change without prior notice.
*All trade names referenced are the registered trademarks of their respective owners.



Made in China

LogiLink®

Sit-Stand Desk Frame 120° Corner Design

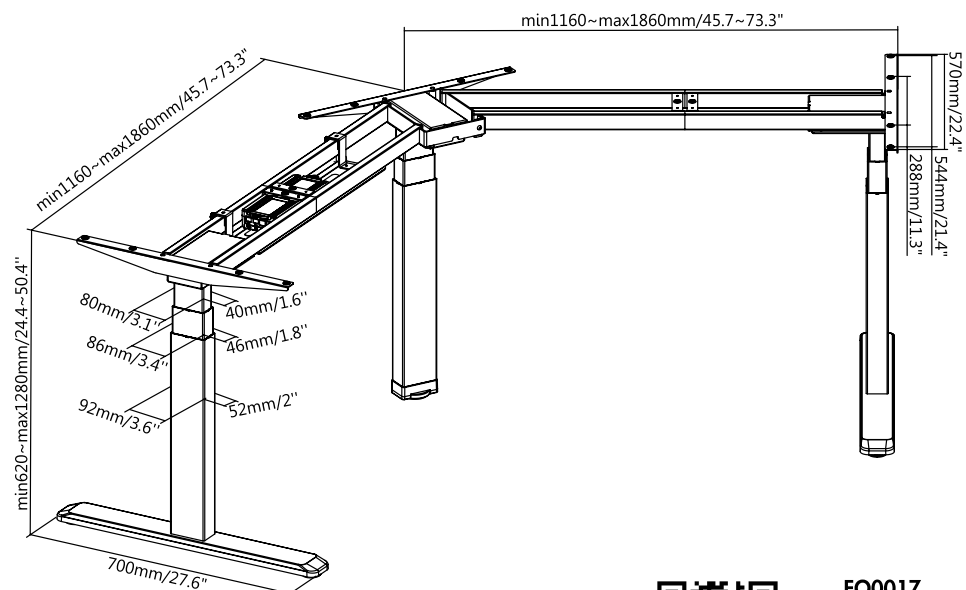
Art. No.: EO0017



Specification:

Frame Orientation	120° Corner shape
Motor Quantity	3
Suggest Tabletop Size	(1400–2200)x(1400–2200) mm
Tabletop Thickness	≥25mm
Material	Plastic, Steel
Power Input	100–240 V
Power Cord Length	3 m
Max. Speed	38 mm/s
Operating Temperature	-5°C–40°C
IP Grade	IP20
Color	Black
Weight Capacity	150 kg
Height Range	620–1280 mm
Width Range	1160–1860 mm
Product Size	(1160–1860)x(1160–1860)x(620–1280) mm

Technical Drawing:



RoHS
compliant



*The specifications and pictures are subject to change without prior notice.
*All trade names referenced are the registered trademarks of their respective owners.



EO0017

v.2



4 052792 055412

Made in China

LogiLink®

Sit-Stand Desk Frame 120° Corner Design

Art. No.: EO0017



Package Content:

- » 1x Sit-Stand Desk Frame
- » 1x User Manual

Package Information:

Packing Dimension	mm mm
Packing Weight	kg kg
Carton Dimension	mm mm
Carton Q'ty	pcs
Carton Weight	kg kg



*The specifications and pictures are subject to change without prior notice.
*All trade names referenced are the registered trademarks of their respective owners.

