

LogiLink®

Desktop Organization System



Art. No.: EO0019-1 EO0019-5
EO0019-2 EO0019-6
EO0019-3 EO0019-7
EO0019-4



Best Connectivity

A perfect space-saving solution for office.



* The specifications and pictures are subject to change without notice.
*All trade names referenced are the registered namework of their respective owners.

Made in China



EO0019-1

Slatwall Aluminum Panel



Features:

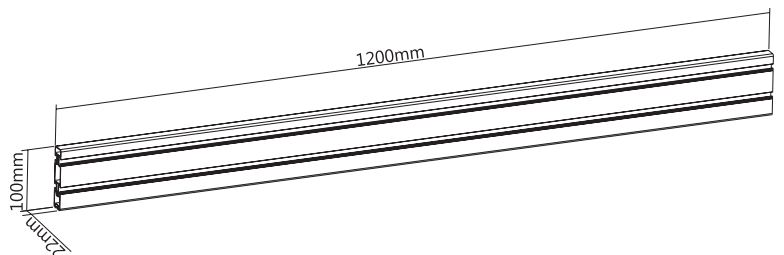
- » Provides additional space for setting up accessories, easy mounting on desk or wall
- » Aluminum Construction: provides a sleek, lighter, and elegant look
- » Modular System: changes the configuration or adds to your design at any time
- » Two-Sided Slots: provide an economical and efficient approach to satisfy multiuser requirements

Specification:

Material	Aluminum
Weight Capacity	40kg
Color	Matte white
Product Size	1200 x 22 x 100mm

Package Contents:

- » 1 x Slatwall Aluminum Panel



* The specifications and pictures are subject to change without notice.
 *All trade names referenced are the registered namework of their respective owners.



EO0019-1



4 052792 055498

Made in China



EO0019-2

Slatwall Pole, Set of 2pcs



Features:

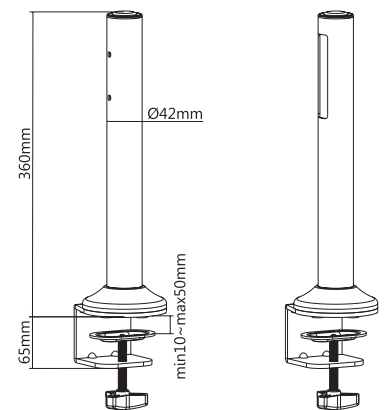
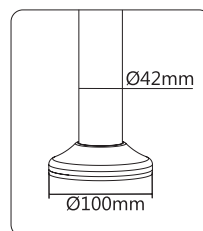
- » Work with Slatwall Panel (EO0019-1) for creating desk-mounted slatwall system
- » Two Mounting Options: both desk clamp and grommet are included
- » Heavy-Duty Steel Construction: provides extra strength and durability
- » Modular System: changes the configuration or adds to your design at any time

Specification:

Material	Steel
Weight Capacity	50kg
Color	Matte white
Product Size	100 x 105 x 425mm

Package Contents:

- » 1 x Slatwall Polem, set of 2pcs
- » 1 x User Manual



* The specifications and pictures are subject to change without notice.
 *All trade names referenced are the registered namework of their respective owners.



EO0019-2



4 052792 055504

Made in China



EO0019-3

Slatwall Mounting Plate

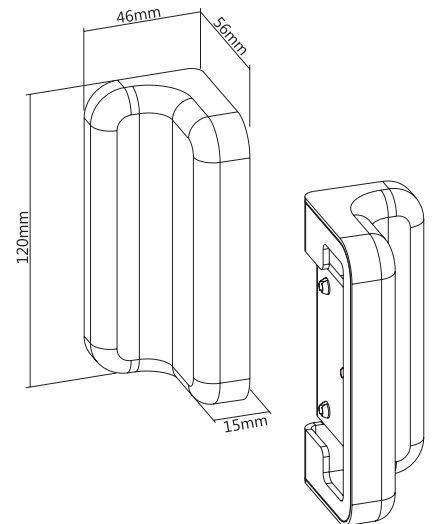


Features:

- » Work with Slatwall Panel (EO0019-1) for creating wall-mounted slatwall system
- » Modular System: changes the configuration or adds to your design at any time
- » Wall Mounting: optimizes desktop space while creating additional storage areas on wall

Specification:

Material	Steel, Plastic
Weight Capacity	50kg
Color	Matte white
Product Size	46 x 56 x 120mm



Package Contents:

- » 1 x Slatwall Mounting Plate
- » 1 x User Manual



* The specifications and pictures are subject to change without notice.
 *All trade names referenced are the registered namework of their respective owners.



EO0019-3



4 052792 055511

Made in China



EO0019-4

Slatwall Pivot Monitor Mount

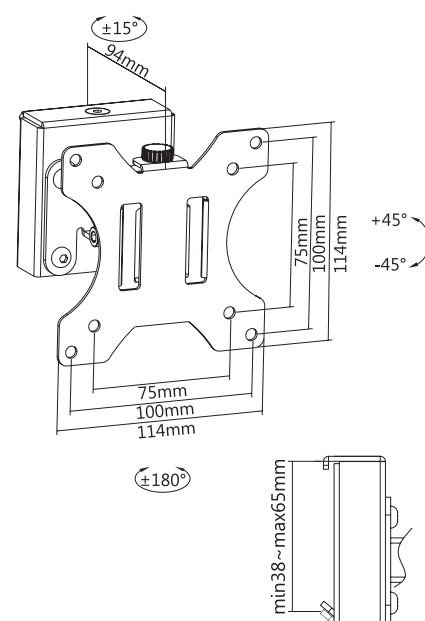


Features:

- » Work with Slatwall Panel (EO0019-1) for viewing the monitor in the perfect position
- » Detachable VESA Plate Design: enables easy installation
- » Free-Tilting Design: for multiple monitor viewing angles

Specification:

Screen Size	13" -27"
Material	Steel
Weight Capacity	6.5kg
VESA	75x75mm, 100x100mm
Tilt	-45°~45°
Swivel	-15°~15°
Rotation	-180°~180°
Color	Matte black
Product Size	114 x 94 x 114mm



Package Contents:

- » 1 x Slatwall Pivot Monitor Mount
- » 1 x User Manual



* The specifications and pictures are subject to change without notice.
 *All trade names referenced are the registered trademark of their respective owners.



EO0019-4



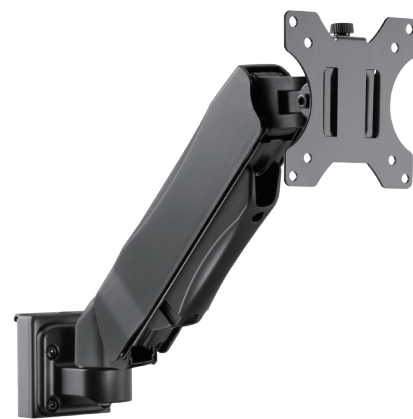
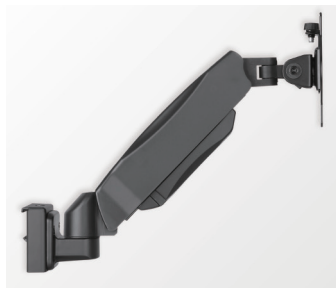
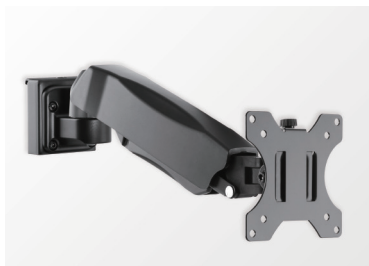
4 052792 055528

Made in China



EO0019-5

Slatwall Gas Spring Monitor Arm

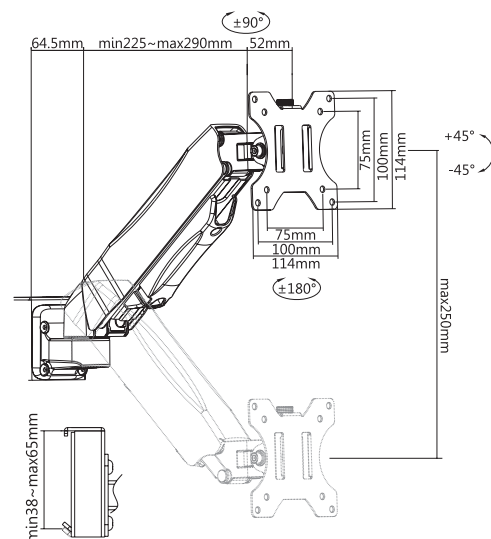


Features:

- » Work with Slatwall Panel (EO0019-1) for free desk space and move the monitor to a desired position
- » Free-Tilting Design: for multiple monitor viewing angles
- » Gas Spring: perfectly counterbalances the weight of your monitor
- » Detachable VESA Plate Design: enables easy installation
- » Freely Adjusting Height: for an optimal ergonomic position
- » Easy cable management keeps everything organized

Specification:

Screen Size	13"-27"
Material	Aluminum, Steel
Weight Capacity	2~6.5kg
VESA	75x75mm, 100x100mm
Tilt	-45°~45°
Swivel	-90°~90°
Rotation	-180°~180°
Arm Full Extension	290mm
Color	Matte black
Product Size	114 x 342 x 295mm



Package Contents:

- » 1 x Slatwall Gas Spring Monitor Arm
- » 1 x User Manual



* The specifications and pictures are subject to change without notice.
 *All trade names referenced are the registered trademark of their respective owners.



EO0019-5



4 052792 055535

Made in China

Best Connectivity



EO0019-6

Slatwall Pencil Cup

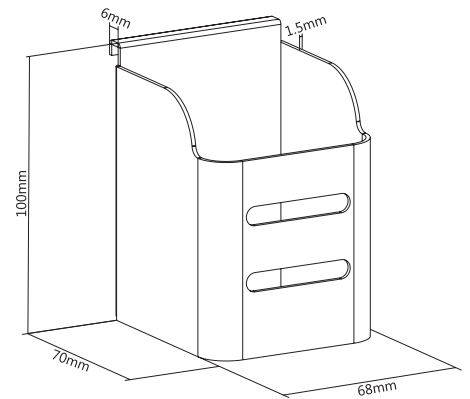


Features:

- » Work with Slatwall panel (EO0019-1) to free desk space and organize your stationary
- » Make additional storage for less desktop clutter
- » Heavy-Duty Steel Construction: provides extra strength and durability

Specification:

Material	Steel
Weight Capacity	1kg
Color	Matte white
Product Size	68 x 70 x 100mm



Package Contents:

- » 1 x Slatwall Pencil Cup



* The specifications and pictures are subject to change without notice.
 *All trade names referenced are the registered namework of their respective owners.



Made in China



EO0019-7

Slatwall File Holder

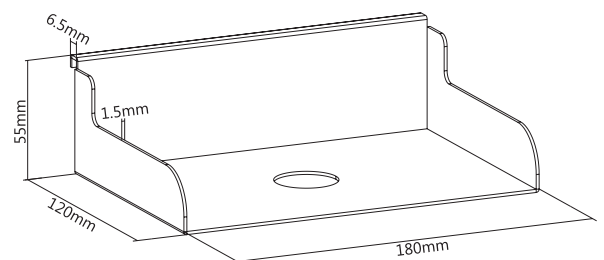


Features:

- » Work with Slatwall panel (EO0019-1) to free desk space and organize your books and files
- » Heavy-Duty Steel Construction: provides extra strength and durability
- » Modular System: changes the configuration or adds to your design at any time

Specification:

Material	Steel
Weight Capacity	3kg
Color	Matte white
Product Size	180 x 120 x 55mm



Package Contents:

- » 1 x Slatwall File Holder



* The specifications and pictures are subject to change without notice.
 *All trade names referenced are the registered trademark of their respective owners.



EO0019-7



Made in China

Best Connectivity

LogiLink®

Desktop Organization System



Art. No.: EO0019-1 EO0019-5
EO0019-2 EO0019-6
EO0019-3 EO0019-7
EO0019-4

Package Information:

Art-No.	Packing Dimension	Packing Weight	Carton Dimension	Carton Q'ty	Carton Weight
EO0019-1	135 x 58 x 1235mm	1.85kg	1250 x 285 x 312mm	10pcs	19.86kg
EO0019-2	395 x 110 x 128mm	3.83kg	410 x 235 x 275mm	4pcs	15.81kg
EO0019-3	100 x 65 x 125mm	0.48kg	516 x 215 x 346mm	40pcs	22.02kg
EO0019-4	120 x 120 x 110mm	0.84kg	496 x 255 x 350mm	24pcs	20.31kg
EO0019-5	405 x 125 x 105mm	1.82kg	420 x 265 x 546mm	10pcs	18.95kg
EO0019-6	82 x 73 x 108mm	0.3kg	510 x 382 x 234mm	60pcs	20.65kg
EO0019-7	195 x 132 x 60mm	0.52kg	600 x 280 x 378mm	36pcs	19.34kg



* The specifications and pictures are subject to change without notice.
*All trade names referenced are the registered trademark of their respective owners.

Made in China

Best Connectivity