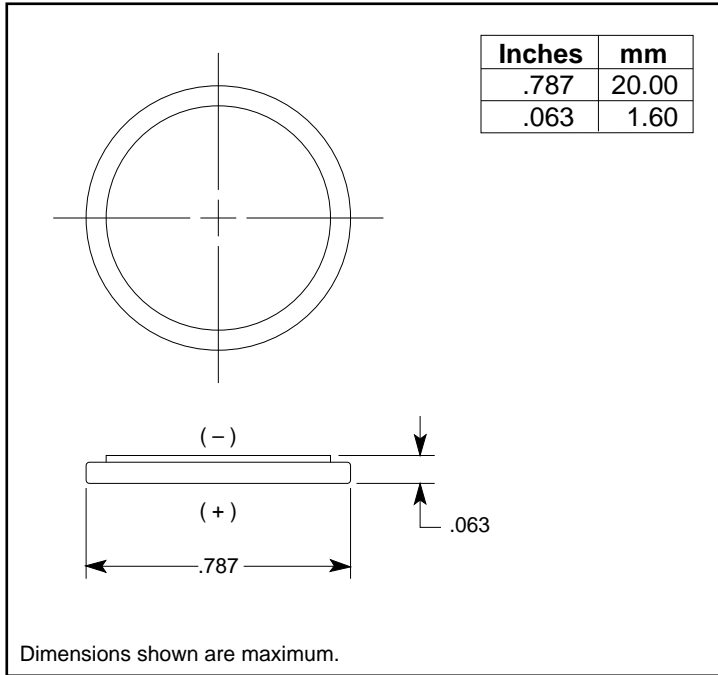
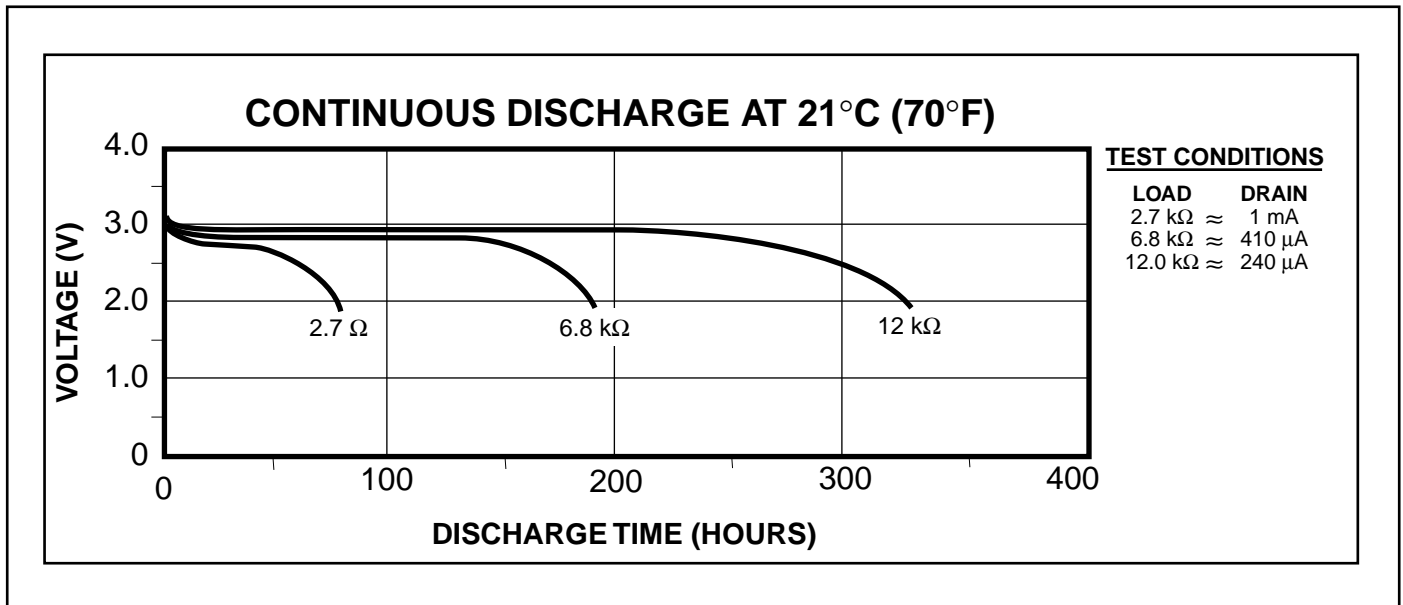


Lithium/Manganese Dioxide Battery



SPECIFICATIONS

Nominal Voltage:	3.0 V
Typical Voltage:	3.1 – 3.3 V
Rated Capacity:	75 mAh on 15 kΩ to 2.0 V at 21°C (70°F)
Average Weight:	0.063 oz. (1.8 g)
Volume:	0.031 in. ³ (0.49 cm ³)
Terminals:	Flat
Operating Temp. Range:	-40°C to 60°C (-40°F to 140°F)
NEDA/ANSI:	5000LC
IEC:	—



DURACELL INC.

New Products and Technology Division
 Berkshire Corporate Park
 Bethel, CT 06801 U.S.A.
 Telephone: Toll-free 1-800-431-2656
 Outside North America: 203-791-3274
 Facsimile: 203-791-3273
 Internet: www.duracellnpt.com

