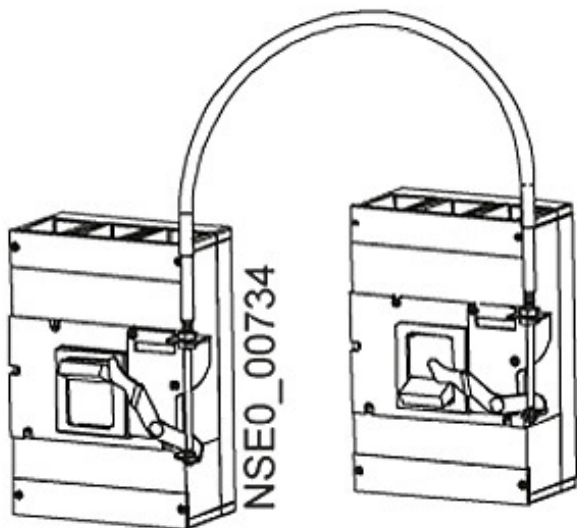


accessori per VL160X-VL1600, tirante Bowden, 1,5m, per interblocco meccanico



Versione

Marca del prodotto

SETRON

Peso netto

0,65 kg

Certificati

General Product Approval	EMC	Declaration of Conformity	Test Certificates	Shipping Approval
--------------------------	-----	---------------------------	-------------------	-------------------

[Miscellaneous](#)



C-Tick



EG-Konf.

[Special Test Certificates](#)



PRS



RINA

Shipping Approval	other
-------------------	-------



RMRS

[Confirmation](#)

[Environmental Conformations](#)

[Miscellaneous](#)

[Manufacturer Declaration](#)

Ulteriori informazioni

Information- and Downloadcenter (Cataloghi, Opuscoli,...)

<http://www.siemens.com/lowvoltage/catalogs>

Industry Mall (sistema di ordinazione Online)

<https://mall.industry.siemens.com/mall/it/it/Catalog/product?mlfb=3VL9000-8LH30>

Service&Support (Manuali, Certificati, Caratteristiche, FAQ, ...)

<https://support.industry.siemens.com/cs/ww/it/ps/3VL9000-8LH30>

Banca dati immagini (foto prodotto, disegni dimensionali 2D, modelli 3D, schemi delle connessioni, ...)

http://www.automation.siemens.com/bilddb/cax_en.aspx?mlfb=3VL9000-8LH30

CAX-Online-Generator

<http://www.siemens.com/cax>

Tender specifications

<http://www.siemens.com/specifications>