



# Sauter GmbH

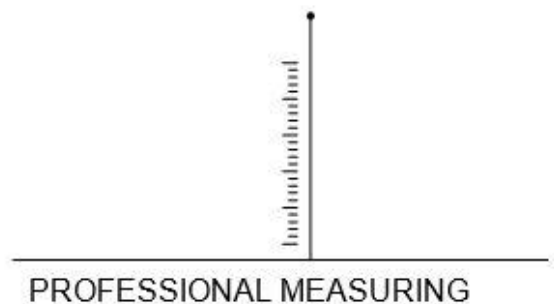
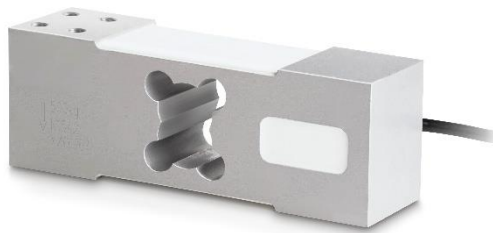
Ziegelei 1  
D-72336 Balingen  
E-Mail: [info@kern-sohn.com](mailto:info@kern-sohn.com)

Tel.: +49-[0]7433- 9933-0  
Fax: +49-[0]7433-9933-149  
Internet: [www.sauter.eu](http://www.sauter.eu)

## User manual / Data sheet

### SAUTER CP P8

V. 1.0  
10/2022  
GB





# SAUTER CP P8

V. 1.0 10/2022

## User manual / Data sheet

---

---

Summarize:

1	Introduction.....	3
1	Brief description .....	3
2	Available models.....	3
3	Introduction.....	3
4	Warnings .....	3
5	Warranty .....	4
6	Technical data.....	4
7	Electrical connection.....	5
8	Dimensions in mm .....	5
9	CE declaration.....	6

# 1 Introduction

## 1 Brief description

- Single-point anodised aluminium load cell
- Protection class IP65 (according to EN 60529)
- RoHS compliant
- Suitable for price computing scales, table scales, etc.
- Maximum platform size: 600 x 600 mm
- Accuracy class C3 according to OIML R60
- OIML certified
- Optional on request: Accuracy class C4 / C5

## 2 Available models

Nominal	Model
50kg	CP 50-3P8
100kg	CP 100-3P8
150kg	CP 150-3P8
200kg	CP 200-3P8
250kg	CP 250-3P8
300kg	CP 300-3P8
500kg	CP 500-3P8
600kg	CP 600-3P8

## 3 Introduction

Please observe the information in the operating instructions: Read these operating instructions carefully before commissioning, even if you already have experience with SAUTER measuring cells.

After receipt of the measuring cell, it should be checked in advance whether there has been any transport damage, whether the outer packaging or other parts or even the item itself have been damaged. If any damage is apparent, please notify SAUTER GmbH immediately.

## 4 Warnings

Observe the national accident prevention regulations.

Incorrect use of the measuring cells can lead to serious injury, death, property damage and personal injury. Use may only be carried out by trained and experienced personnel.

Never load measuring cells beyond the Emax range (nominal load, max. capacity). Overloaded measuring cells no longer have the required accuracy. Overloaded or deformed measuring cells must not be used any longer and must be replaced immediately.

Never step under suspended loads.

Always fit overload or breakage protection to your system.

Always observe the permissible static and dynamic loads of the accessories you are using.

Have measuring cells calibrated at regular intervals.

Load the measuring cell only in its specified loading direction. Avoid transverse forces.

Check measuring cells regularly for deformations and cracks.

## 5 Warranty

The warranty expires in the event of:

- Disregarding the specifications in the operating instructions
- Changing or opening the measuring cell
- Overload
- Mechanical damage
- Damage due to liquids or media
- Natural wear and tear
- Improper set-up or electrical installation

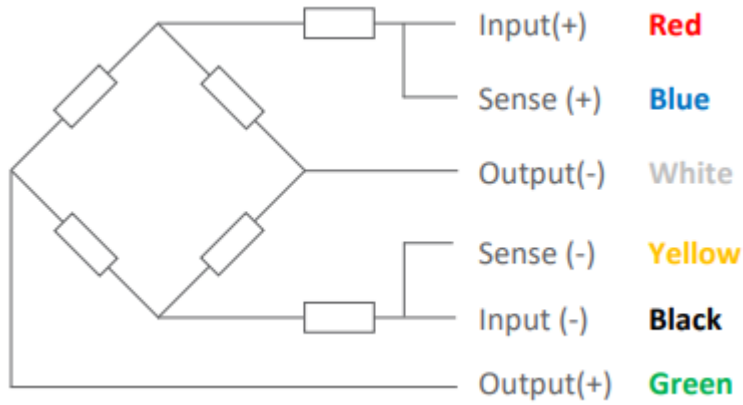
## 6 Technical data

Output sensitivity ( FS )	mV/V	$2.0 \pm 0.2$
Maximum capacity ( Emax )	kg	50, 100, 150, 200, 250, 300, 500 , 600
Max.number of load cell intervals	nLC	3000
Ratio of min. LC verification interval	$Y = E_{max} / v_{min}$	10000
Combined Error	%FS	$\leq \pm 0.020$
Minimum dead load	Of Emax	0%
Safe overload	of Emax	120 %
Ultimate overload	of Emax	150 %
Zero balance	of FS	$< \pm 2.0 \%$
Excitation, recommended voltage	V	5 ~ 12
Excitation maximum	V	18
Input resistance	$\Omega$	$409 \pm 6$
Output resistance	$\Omega$	$350 \pm 3$
Insulation resistance	M $\Omega$	$\geq 5000$ ( at 50VDC )
Compensated temperature	$^{\circ}\text{C}$	-10 ~ +40
Operating temperature	$^{\circ}\text{C}$	-35 ~ +65
Storage temperature	$^{\circ}\text{C}$	-40 ~ +70
Recommended torque on fixation bolts	Nm	20

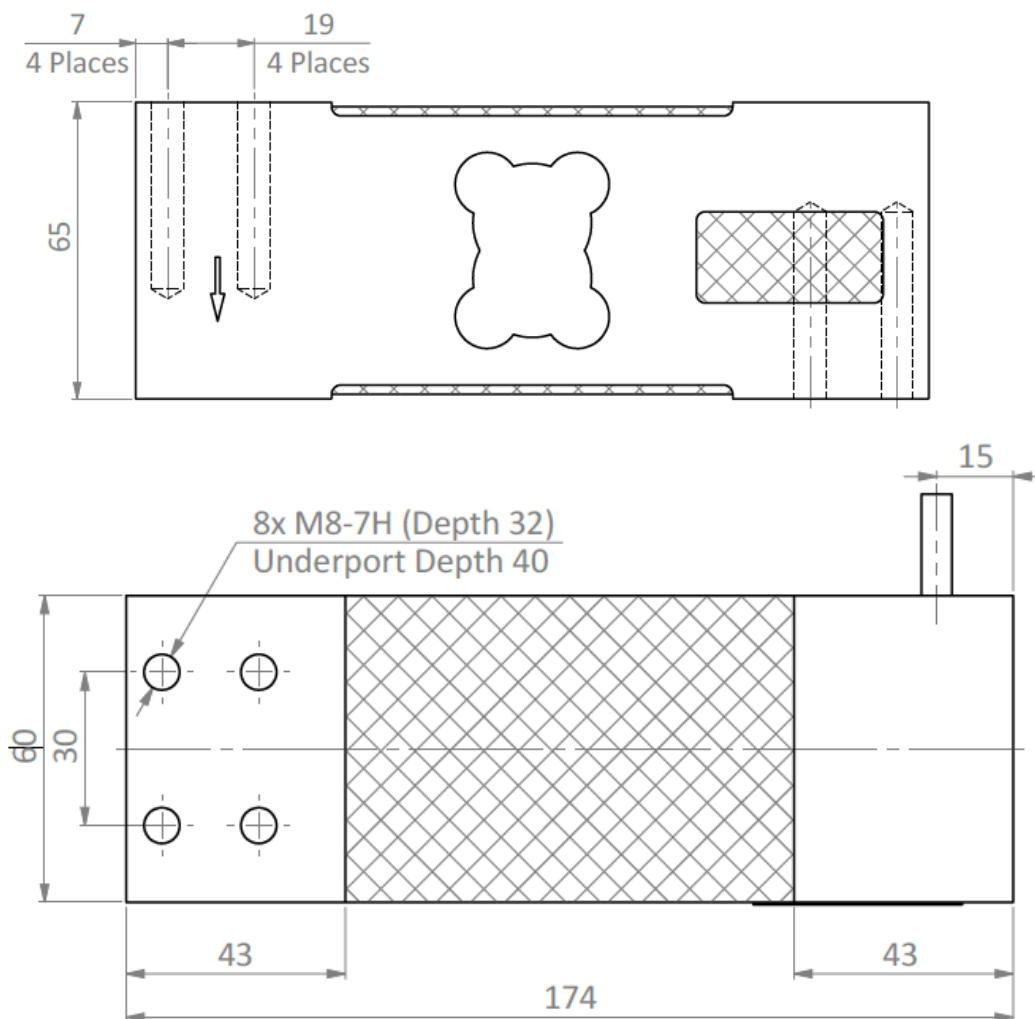
## 7 Electrical connection

Shielded PVC cable, shield connected to element, cable diameter  $\varnothing 5.9\text{mm}$ , standard cable length: 3m

6-wire connection diagram



## 8 Dimensions in mm



## **9 CE declaration**

The CE declaration can be downloaded from the website [www.sauter.eu](http://www.sauter.eu)